

# BLING X-LARGE PENDANT

VISUAL COMFORT & CO.

## PRODUCT FEATURES

- From the brand formerly known as Tech Lighting
- Drawing inspiration from a Clodagh sculptural design, Bling embodies all the elements of natural and mixed materials. Creating a zen, spa-like vibe in any space
- A modern Dark Bronze Finish
- Ships with 14 feet of field-cutttable black cloth cord
- Fully dimmable integrated LED lamp
- Cast aluminum with crisp edges and step back details throughout the design



## LAMPING

Includes 27 watts, 957 delivered lumens, 2700K LED module. Dimmable with most LED compatible ELV and TRIAC dimmers. Ships with 14 feet of field-cutttable black cloth cord. 120V-277V.

Dark Bronze



Dark Bronze

Dark Bronze (Alt)

Dark Bronze (Alt 2)

## ORDERING INFORMATION

CDPDI78	COLOR TEMP	FINISH
	27 2700K	PZ PLATED DARK BRONZE

CDPDI78 \_\_\_\_\_

JOB NAME \_\_\_\_\_

NOTES \_\_\_\_\_

\_\_\_\_\_

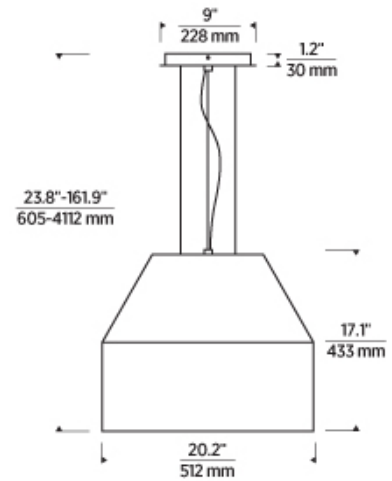


# BLING X-LARGE PENDANT

VISUAL COMFORT & Co.

## SPECIFICATIONS

PRIMARY MATERIAL	Aluminum
SHADE MATERIAL	Aluminum
NET WEIGHT	40 lbs
HEIGHT	17.1in
WIDTH	20.2in
LENGTH	20.2in
UP LIGHT / DOWN LIGHT / BOTH?	
WET LISTED	
DAMP LISTED	
DRY LISTED	
MIN. HANGING HEIGHT	23.8in
MAX HANGING HEIGHT	161.9in
TOTAL CORD LENGTH	144in
TOTAL STEM LENGTH	
STEM QTY	
SLOPED CEILING ADAPTABLE?	Yes 45° Max
GENERAL LISTING	ETL Listed
INCLUDES	



## LAMPING SPECIFICATIONS

	LED LAMP	INTEGRATED LED	NON LED	NO LAMP
DELIVERED LUMENS		957		
WATTS		27		
MAX WATTAGE PER BULB		27W		
		Universal 120V-277V ELV, TRIAC		
CCT		2700K		
CRI		90 CRI		
LED LIFETIME				
L70		>50000		
AVERAGE BULB HOURS				
FIELD SERVICEABLE LED				
LAMP BASE		Integrated LED		
LAMP SHAPE		Integrated LED		
LAMP INCLUDED?		True		
WARRANTY**		5 Years		

\* Dimming information available at [www.techlighting.com/Downloads#dimming](http://www.techlighting.com/Downloads#dimming)

\*\* Visit [techlighting.com](http://techlighting.com) for specific warranty limitations and details.

## T20 / T24 / JA8 INFORMATION

	Integrated LED	Replacement LED Lamp	No Lamp *
This product can be used to comply with California Building Energy Efficiency Standards 2016 Title 24 Part 6 / JA8.	No		
This product can be used to comply with California Appliance Efficiency Standards 2016 Title 20 and may be shipped to and sold in California.			

\* If a light fixture or component does not include a lamp or light source, it is the responsibility of the customer to select a lamp that meets the T24 and T20 requirements.

