

# LED Product Information and Warnings

## Important

- **Always disconnect the power before installing or replacing parts and before cleaning or other maintenance.**
- **Consult a qualified, licensed electrician to ensure correct branch circuit conductor.**
- Please read all included assembly instructions and warnings carefully before installation. Contact Customer Service if you have any questions or concerns. Before installation, please confirm that the fixture is compatible with your supply voltage and dimming system, if present.
- LEDs are highly sensitive electronic devices, and must be treated with care. Do not open any factory sealed compartments, and avoid touching the LEDs with your hands or any object.
- Although all our fixtures are equipped with protective devices, LED fixtures are vulnerable to power surges and supply variations. Do not install LED fixtures on the same circuit as any motors, appliances, or HVAC systems.
- Do not remove or bypass any LED Driver or Transformer that is provided with the fixture, and do not replace or substitute with another power supply.
- Remote LED Driver or Transformer installation must be done by a licensed electrician and in accordance with local codes. Remote installations should be in an accessible location, as close to the fixture as possible.
- Fixtures must be wired in parallel on independent leads; do not "daisy chain" multiple fixtures together or wire them in series.
- All factory-made splices and connections must remain intact. LED circuits are carefully designed and built, and improper connections may damage the fixture.
- The ends of coaxial pendant cords have been precisely stripped and split at the factory and must not be field cut. Excess cord or cable should be neatly coiled and reserved in the fixture canopy.
- Any mounting hardware is provided for your convenience and should be used with discretion. Always use the appropriate hardware for the mounting surface.

June 16, 2020

# Assembly Instructions

2067

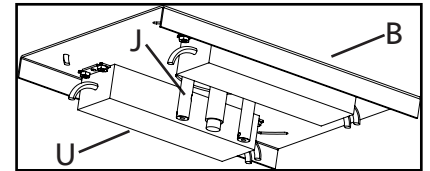
## INSTRUCTIONS D'INSTALLATION

Nebula Series - Zig Zag LED Pendant

### Important

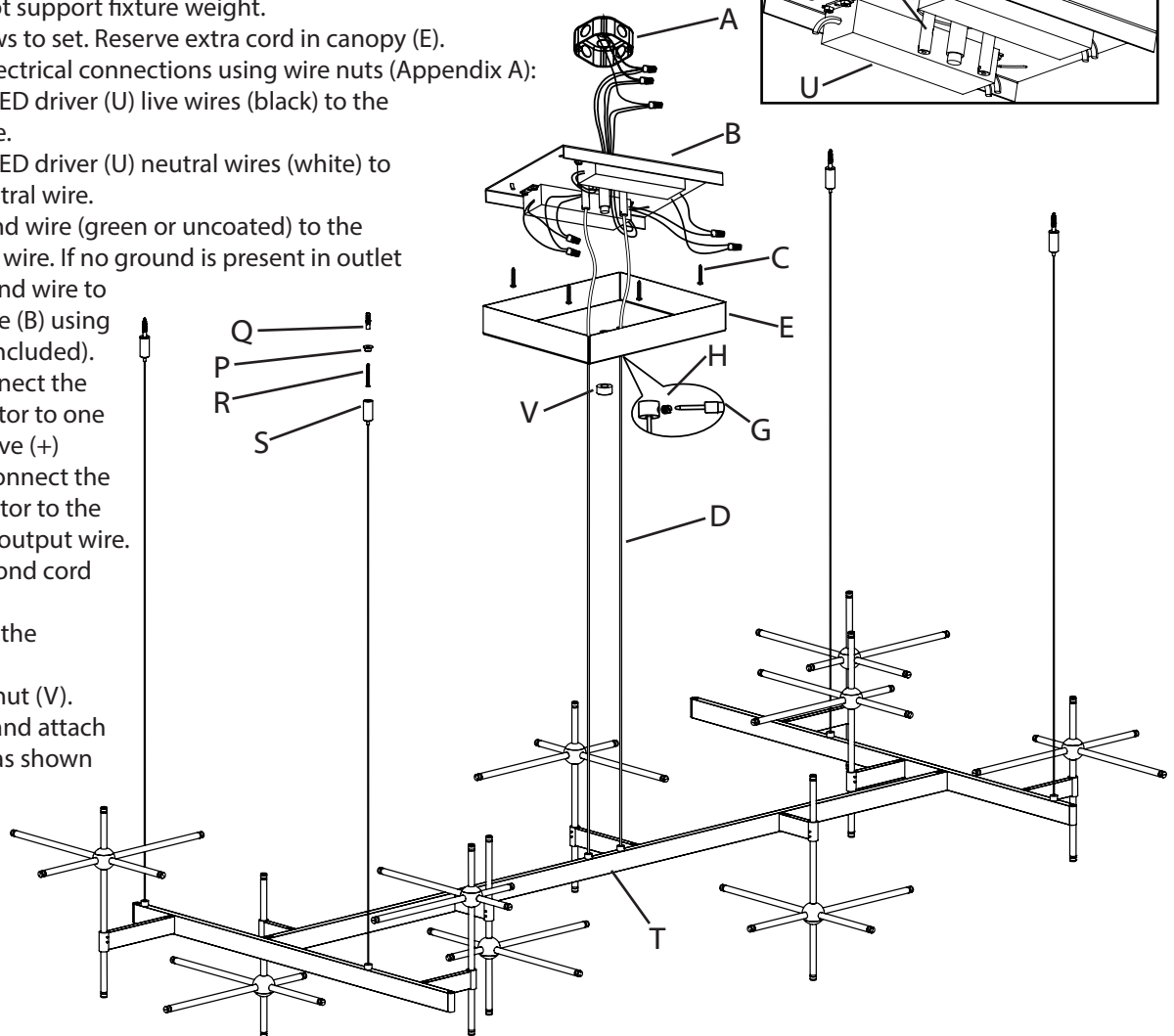
- Always disconnect the power before installing or replacing parts and before cleaning or other maintenance.
- Consult a qualified, licensed electrician to ensure correct branch circuit conductor.  
*Consulter un électricien qualifié pour vous assurer que les conducteurs de la dérivation sont adéquats.*

1. Shut off power to the outlet box (A).
2. Attach the mounting plate (B) to ceiling using slots and wood screws (C). **CAUTION: Fixture must be supported independent of outlet box. Customer is responsible for ensuring appropriate ceiling construction to support the weight of the fixture.**
3. Assemble fixture frame (T) according to the Frame Assembly instructions on Page 3.
4. Determine the height at which the fixture (T) is to be hung. Install the mounting brackets (P) to the ceiling with anchors (Q) and screws (R), then screw the posts (S) onto the mounting brackets. Insert cables (B) into posts and adjust to level the fixture: to shorten, push the cable up; to lengthen, push in the plunger while pulling down on the cable, release the plunger to lock. **Suggestion:** Support frame using sawhorses (or equivalent) while mounting and leveling.
5. Insert two power cords (D) through corresponding holes in canopy (E).
6. Use the screwdriver (G) to loosen the slotted set screws (H) in the two cord posts (J). Insert the cords and adjust to the desired length.



7. Make appropriate electrical connections using wire nuts (Appendix A):
  - a. Connect the two LED driver (U) live wires (black) to the outlet box live wire.
  - b. Connect the two LED driver (U) neutral wires (white) to the outlet box neutral wire.
  - c. Connect the ground wire (green or uncoated) to the outlet box ground wire. If no ground is present in outlet box, connect ground wire to the mounting plate (B) using the green screw (included).
  - d. For each cord, connect the cord inner conductor to one of the driver positive (+) output wire and connect the cord outer conductor to the driver negative (-) output wire. Repeat for the second cord and second driver.

8. Attach canopy (E) to the mounting plate (B), secure with canopy nut (V).
9. Install Cluster Arms and attach globes (K1, K2, K3) as shown on pages 4-7.
10. Restore power to the outlet box (A).



### Note

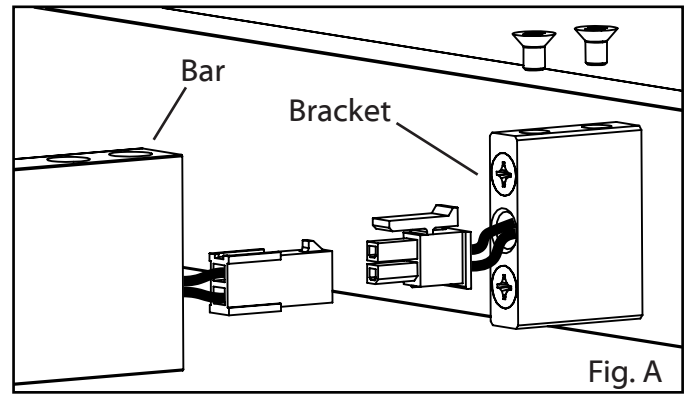
- This fixture is dimmable with Electronic Low Voltage (Trailing-Edge), Incandescent (Leading-Edge), and 0-10V type dimmers only.

### Care Instructions

- **Dusting:** Use a clean, dry cloth.
- **Cleaning:** To protect the finish, avoid any harsh abrasives or chemicals.

**Bar Assembly (Fig. A):**

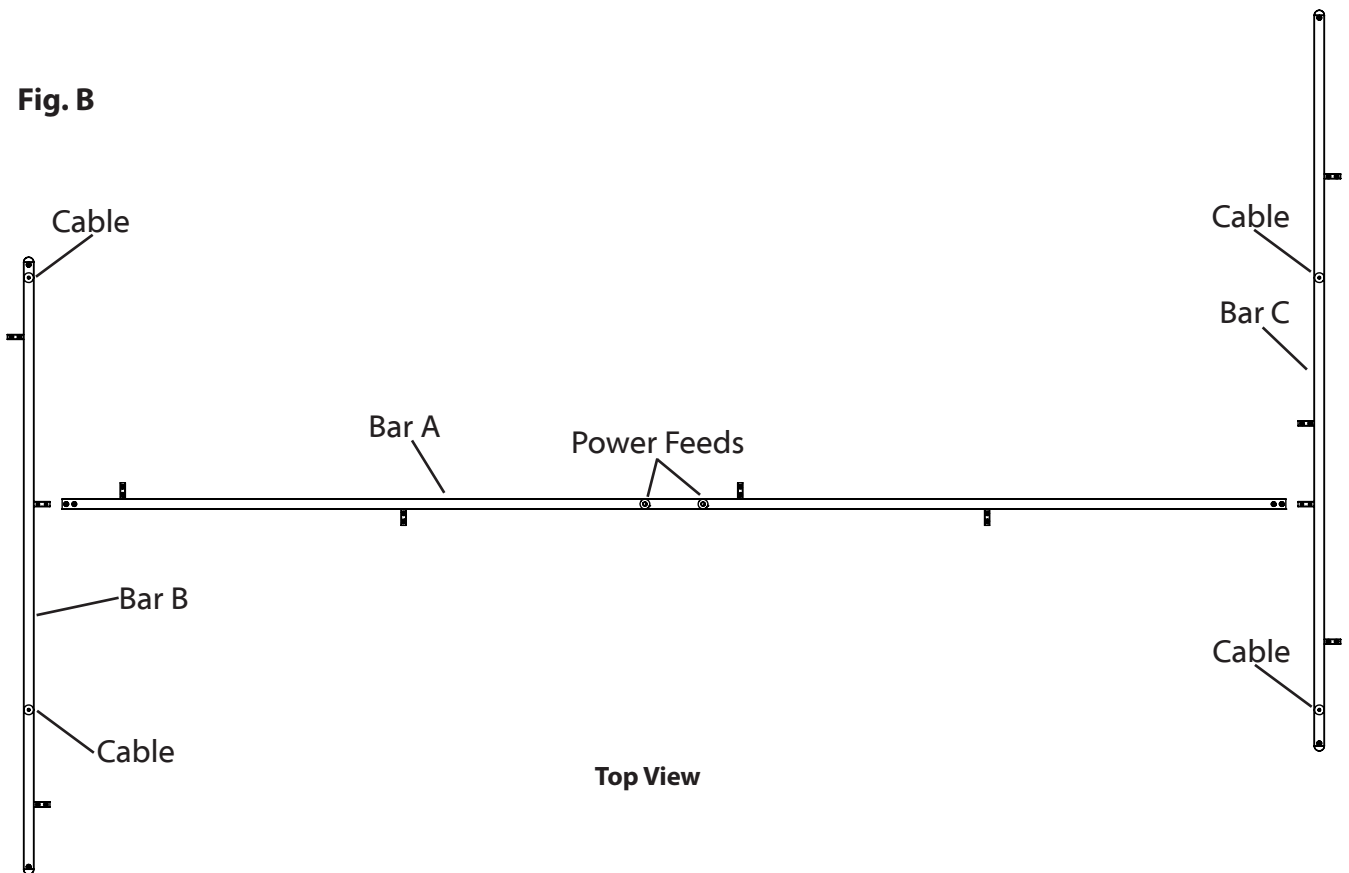
1. Insert Bracket plug into corresponding Bar plug.
2. Slide Bar over Bracket and secure with (2) countersunk screws.



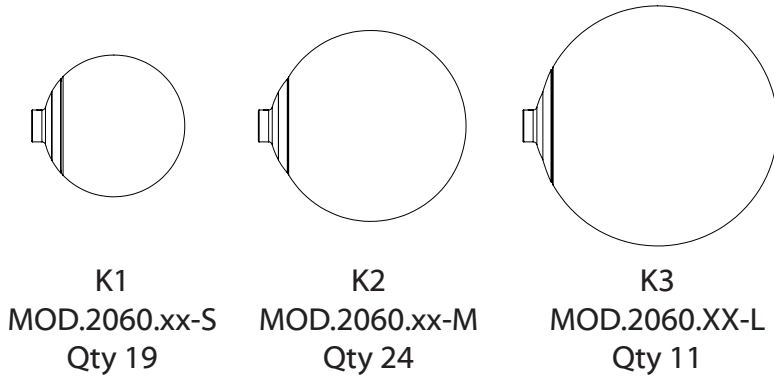
**Frame Assembly (Fig. B):**

1. Connect Bar B and Bar C to Bar A. Refer to Bar Assembly above.

**Fig. B**

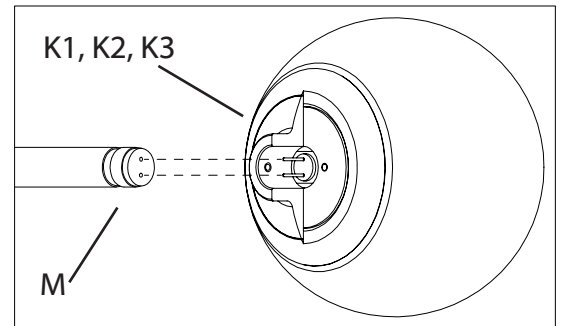


**Globe Sizes:**



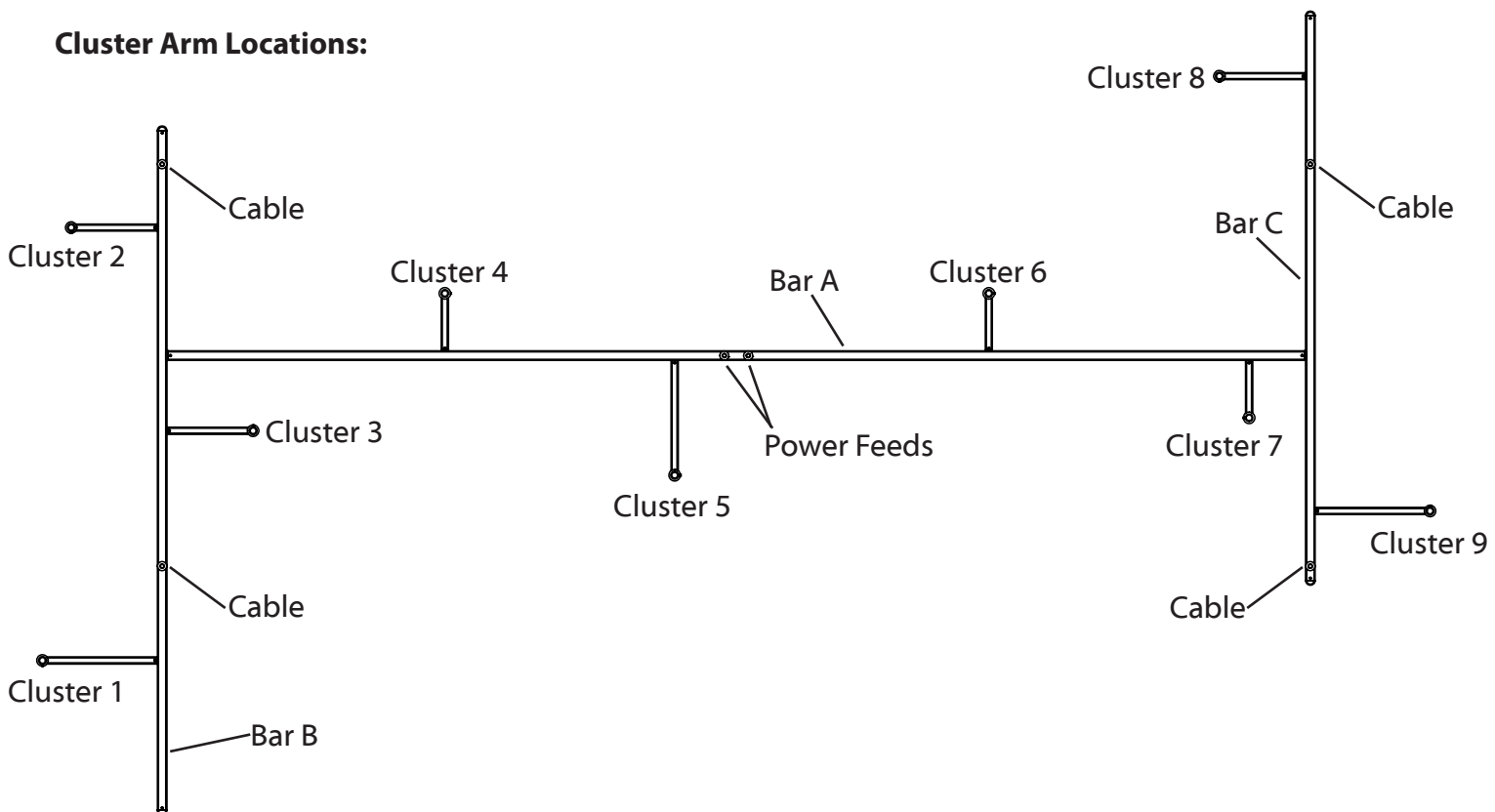
**Globe Assembly (Fig. C):**

1. Slide globe (K1, K2, K3) over stem (M) in line with socket.
2. Secure globes (K1, K2, K3) to stem (M) using globe set screw.
3. Repeat for all globes. Refer to Globe Cluster Diagram below.



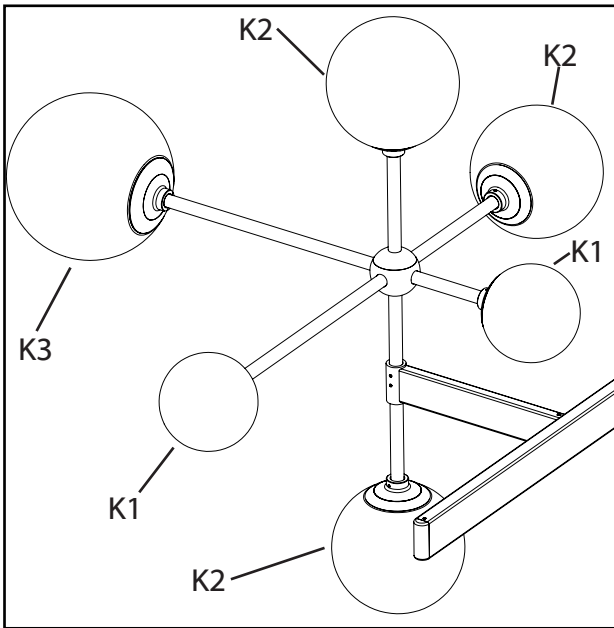
**Fig. C**

**Cluster Arm Locations:**

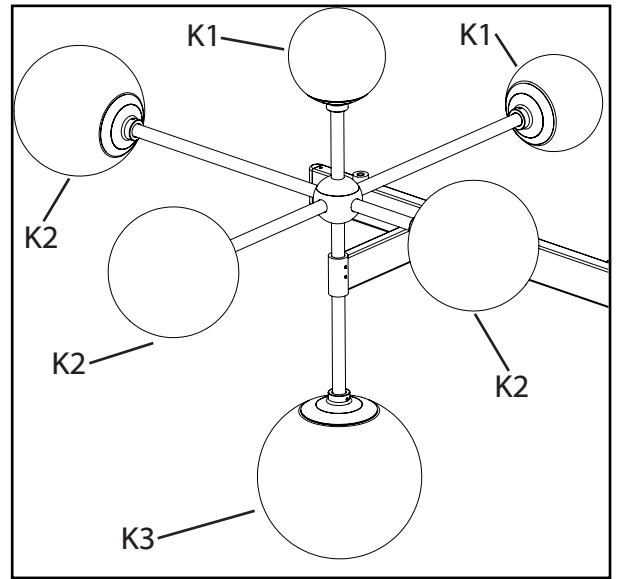


**Top View**

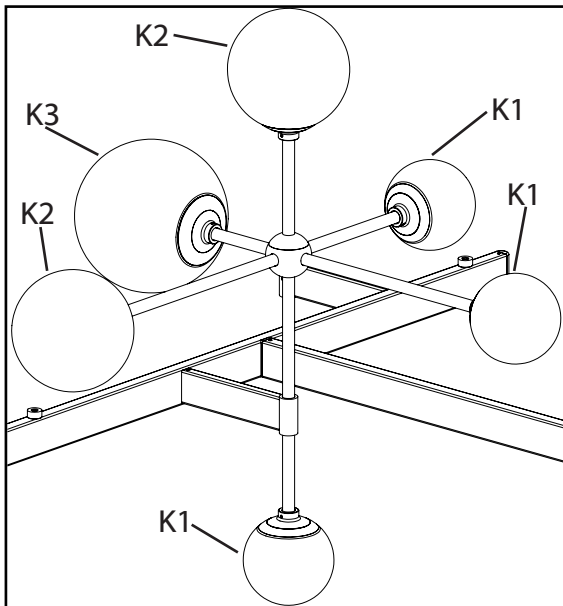
**Globe Cluster Diagrams:**



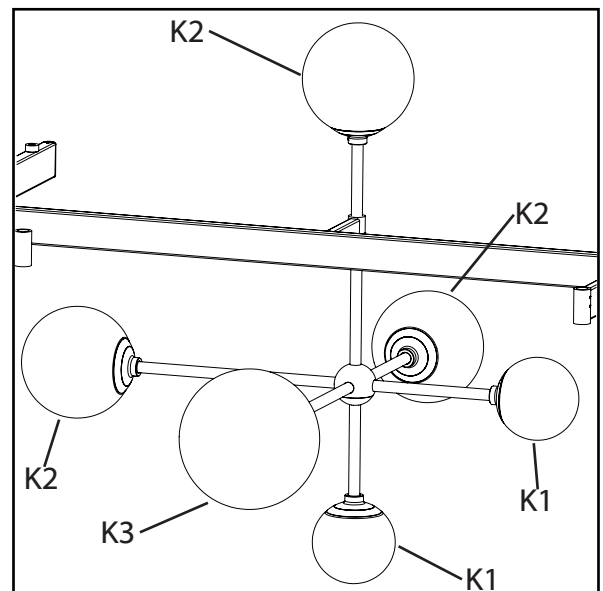
Cluster 1\*



Cluster 2\*



Cluster 3\*

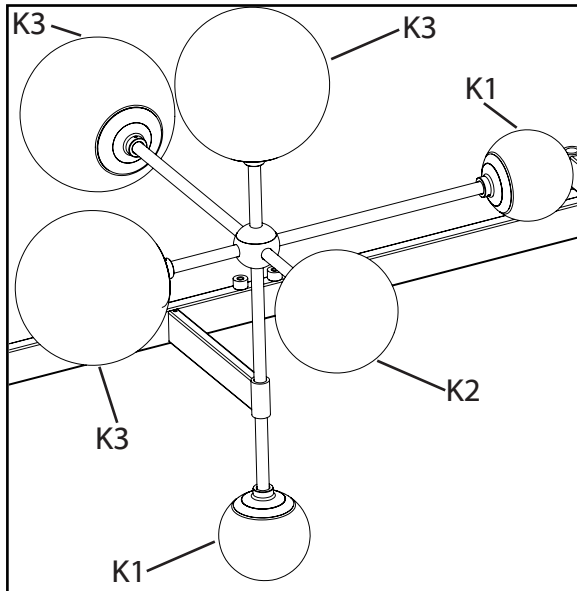


Cluster 4\*

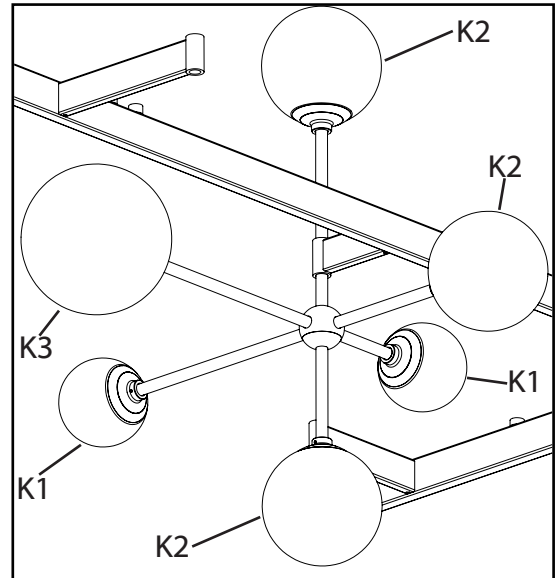
\*Seen from above

\*\*Seen from below

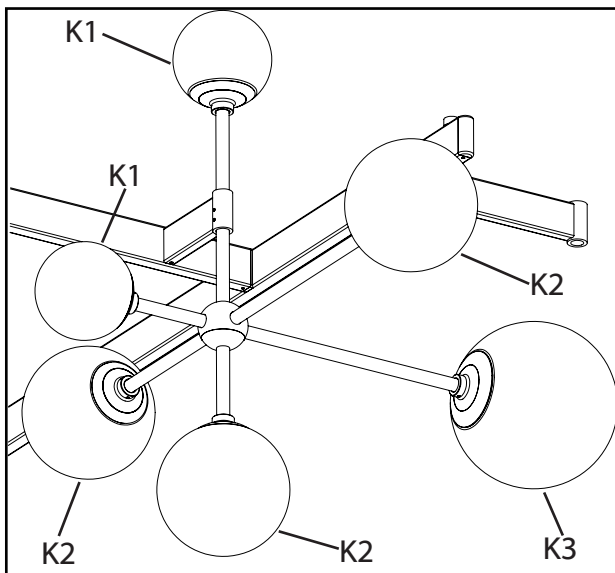
**Globe Cluster Diagrams (cont.):**



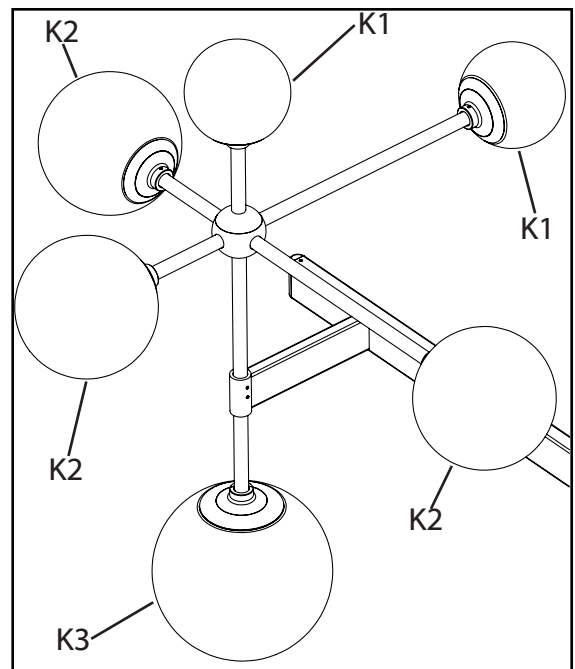
Cluster 5\*



Cluster 6\*\*



Cluster 7\*\*

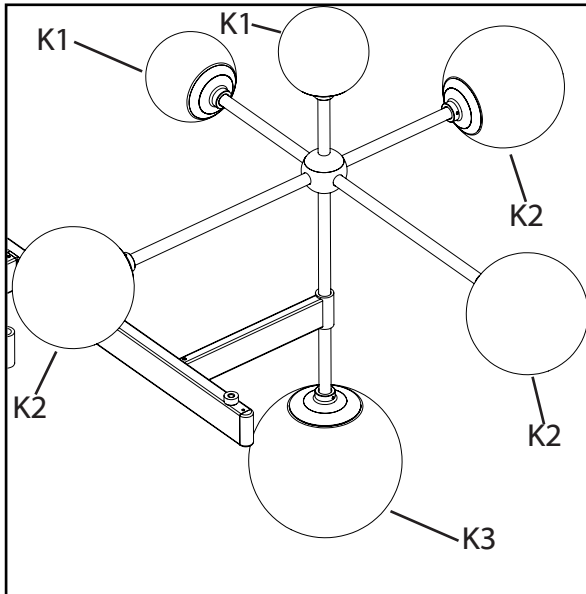


Cluster 8\*

\*Seen from above

\*\*Seen from below

**Globe Cluster Diagrams (cont.):**

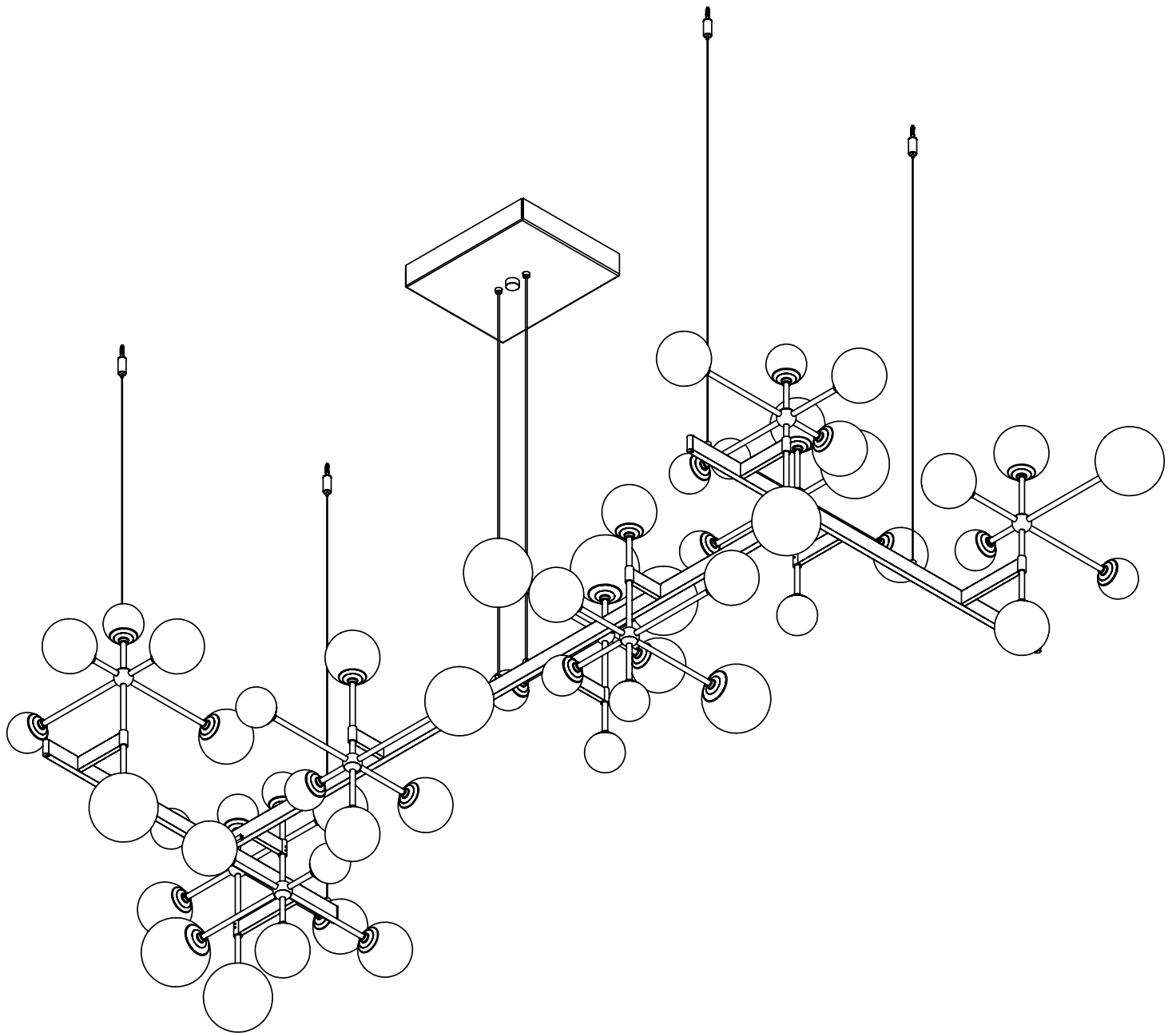


Cluster 9\*

\*Seen from above

\*\*Seen from below

**Completed Assembly:**



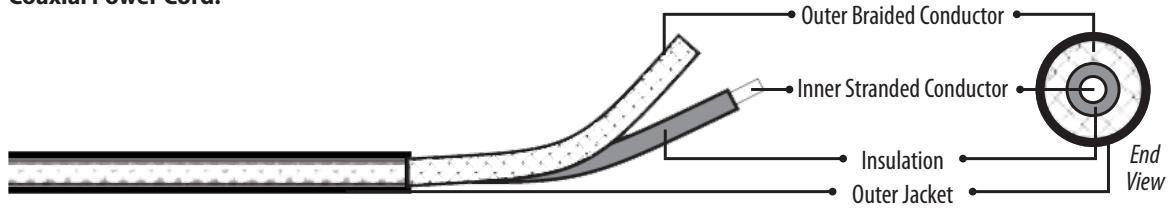


# Coax Splicing Assembly Instructions

INSTRUCTIONS D'INSTALLATION

FAILURE TO FOLLOW THESE INSTRUCTIONS WILL VOID THE WARRANTY

Coaxial Power Cord:



If field-cutting is required, please follow the below instructions:

1. Make a 1" slice along the length of the cord's outer jacket (Fig. 1). **CAUTION: Do not cut through the outer braided conductor.**
2. Carefully strip the outer jacket of the cord and keep the outer braided conductors intact (Fig. 1).
3. Slide the outer braided conductor back to create a bulge and reveal the inner stranded conductor (Fig. 2).
4. Bend the cord to create an opening through the bunched-up portion of outer braided conductor, then pull out the inner stranded conductor (Fig. 3)
5. Twist together the outer braided conductor to form the negative wire of the fixture, then strip 5/8" off the end of the inner stranded conductor to form the positive wire of the fixture (Fig. 4).
6. Re-splice all power cords.

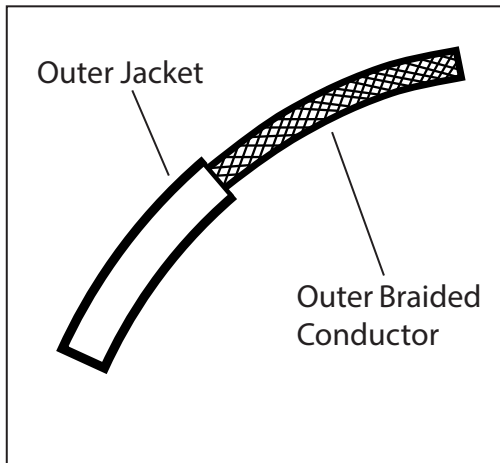


Fig. 1

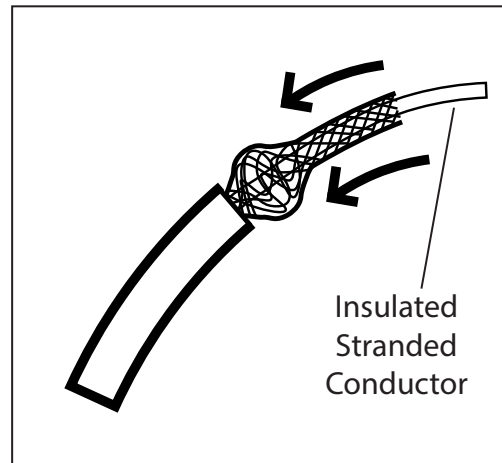


Fig. 2

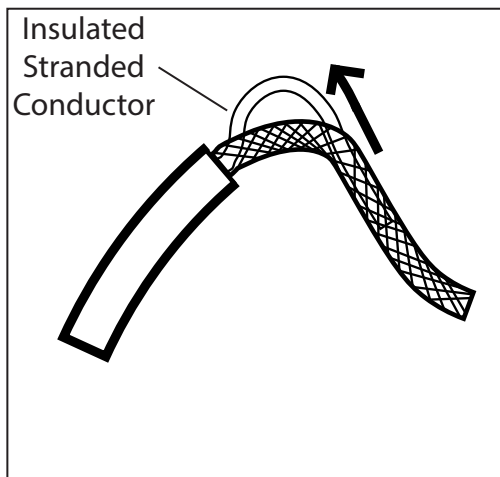


Fig. 3

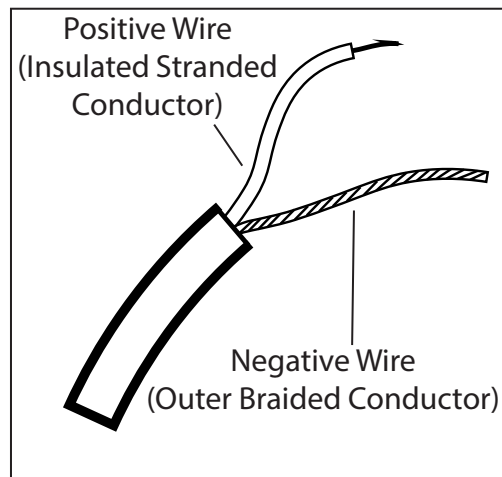


Fig. 4