

Project:

# Stix Square LED Pendant Spec Sheet

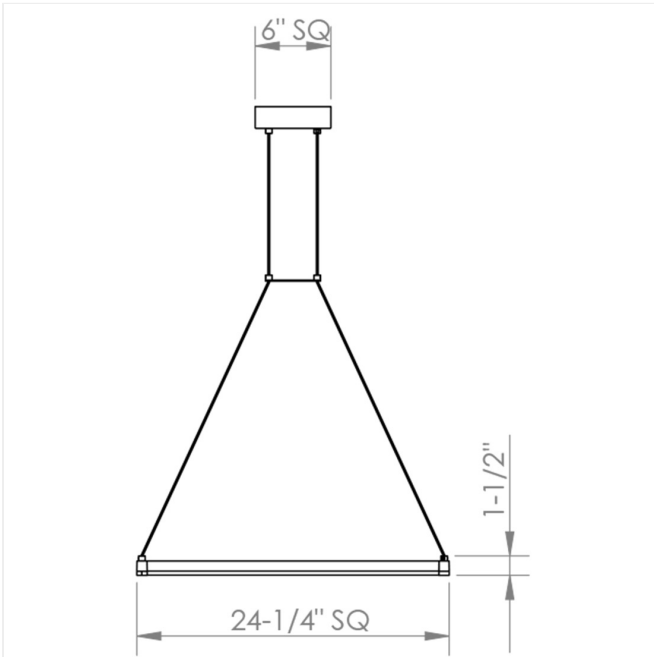
SKU: 2787.16

Stix Square LED Pendant is precisely arranged into a square-shaped mobile sculpture of illumination. LED illumination from the most minimal geometric profile achieves the Modernist architectural ideal of "Less is more." Available in three sizes: 9, 19, and 24 two finishes: Bright Satin Aluminum and Satin Black.

This best-selling family is also available as a [Multi-Arm Pendant](#), [Rectangle Pendant](#), [Bath Bar](#), and [Wall Bar](#).

Learn more: <https://sonnemanlight.com/stix-square-led-pendant>

Type #:



## Dimensions

Height:	1.5"
Width:	24.25"
Length:	24.25"
Size:	24"
Canopy/Backplate/Base Width:	6
Canopy/Backplate/Base Depth:	6
Canopy/Backplate/Base Height:	1.75

## Electrical Specs

Bulb(s) Included?:	Yes
Bulb 1 Type:	Integral LED
Input Voltage:	120-277VAC
Wattage:	33
Initial Lumens:	2700
Color Temperature:	3000K
CRI:	90
Power Supply Type:	Driver
Power Supply Quantity:	1
Power Supply Location:	Canopy
Dimming Type:	TRIAC & ELV @ 120V / 0-10V
Bulb Max Wattage:	33

## Installation

Installation:	Licensed electrician required
Sloped Ceiling Compatible?:	Not Compatible
Minimum Hanging Height:	18.5"

## Shipping

Carton 1 L x W x H:	30" X 30" X 5"
Carton 1 Gross Weight:	9 LBS

## Shade

Shade Material:	Optical Acrylic
-----------------	-----------------

## General Listings

Features:	While Supplies Last
Certification:	C-ETL-US
Color/Finish:	Bright Satin Aluminum (.16)
Dark Sky Friendly:	N

## Available Finishes

Available Finishes:	Bright Satin Aluminum (.16), Satin Black (.25)
---------------------	--

## Available Color Temperatures

Available Color Temperatures:	3000k
-------------------------------	-------