

Pi

3747 & 3748

24" & 30"

LED Surface Mount

IMPORTANT

- **Always disconnect the power before installing or replacing Luminaires and before cleaning or other maintenance.**
- **Consult a qualified, licensed electrician to ensure correct branch circuit conductor.**
- ***Consulter un électricien qualifié pour vous assurer que les conducteurs de la dérivation sont adéquats.***

Product Information and Warnings

- Please read all included assembly instructions and warnings carefully before installation. Contact Customer Service if you have any questions or concerns. Before installation, please confirm that the fixture is compatible with your supply voltage and dimming system, if present.
- LEDs are highly sensitive electronic devices, and must be treated with care. Do not open any factory sealed compartments, and avoid touching the LEDs with your hands or any object.
- Although all our fixtures are equipped with protective devices, LED electronic systems are vulnerable to power surges and supply variations. Do not install LED fixtures on the same circuit as any motors, appliances, or HVAC systems.
- Do not remove or bypass any LED Driver or Transformer that is provided with the fixture, and do not replace or substitute with another power supply.
- Fixtures must be wired in parallel on independent leads; do not "daisy chain" multiple fixtures together or wire them in series.
- All factory-made splices and connections must remain intact. LED circuits are carefully designed and built, and improper connections may damage the fixture.
- The ends of coaxial pendant cords have been precisely stripped and split at the factory and must not be field cut. Excess cord or cable should be neatly coiled and reserved in the fixture canopy.
- Any mounting hardware is provided for your convenience and should be used with discretion. Always use the appropriate hardware for the mounting surface.

Assembly Instructions

Instructions D'Installation

1. Shut off power to the outlet box. (A)
2. Attach the mounting plate (C) to the outlet box (A), secure with outlet box screws (D). Use the slots (K) and wood screws (L) to secure the ceiling pan into the ceiling joists.
CAUTION: Fixture must be supported independent of outlet box. Customer is responsible for ensuring appropriate ceiling construction to support the weight of the fixture.
Screw the safety cable couplings (N) to the studs (O) on the ceiling pan (C).
Mounting plates shown in Fig.1.
3. Make appropriate electrical connections using wire nuts:
 - a. Connect the LED driver's (B) live wire to the live outlet box wire.
 - b. Connect the LED driver's neutral wire to the neutral outlet box wire.
 - c. Connect fixture's ground wire (green or uncoated) to the ground outlet box wire. If no ground is present in outlet box, connect fixture's ground wire to the mounting plate using the green screw (included).
 - d. If not using the 0-10V dimming function, cap off the purple and grey dimming wires.
 - e. Carefully place connections and LED driver (B) in canopy (M).
4. Install the fixture (G) to the mounting plate (C) by inserting the posts (H) into the key holes (J) on the canopy, then twist to lock (Fig.2). The LED driver can be placed below the mounting plate. Secure by tightening the screws.
5. Restore power to the fixture.

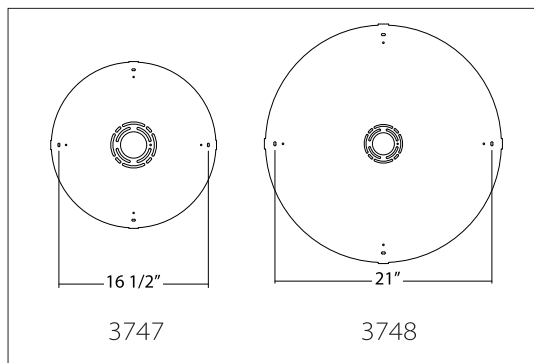


Fig.1

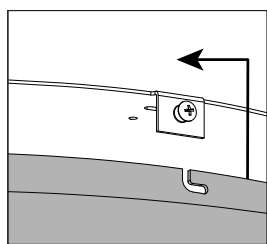
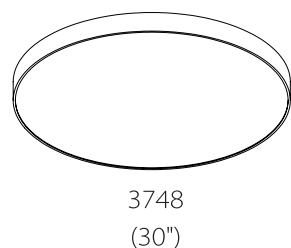
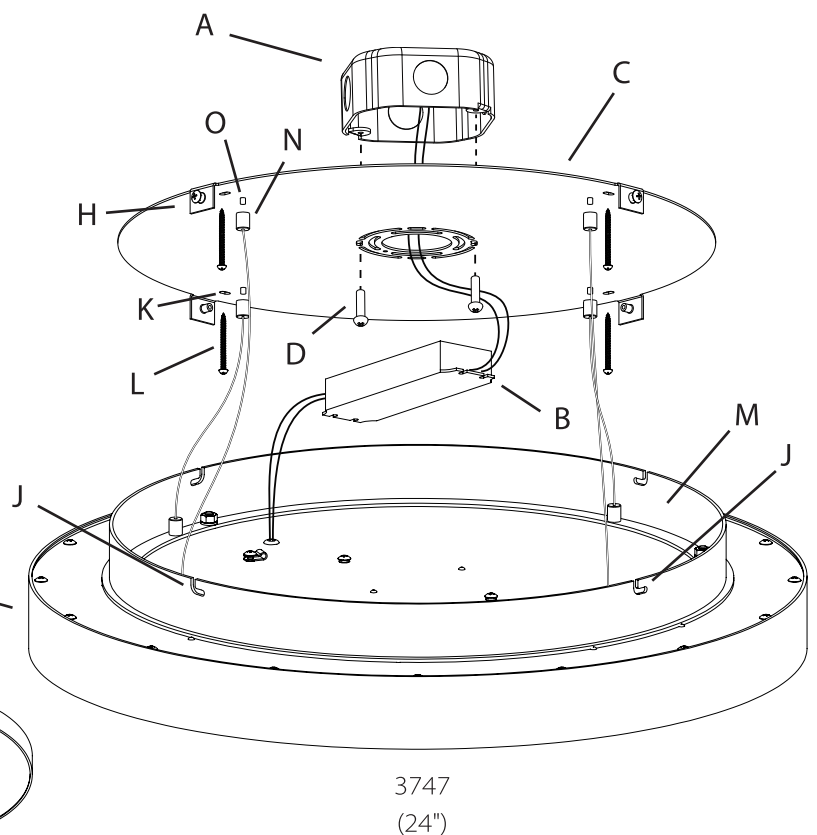


Fig.2



3748
(30")



3747
(24")

- **Note:**
Fixtures are dimmable with ELV (Trailing-Edge), Incandescent (Leading-Edge), and 0-10V type dimmers.

Care Instructions:
Use a clean, dry cloth when dusting.
To protect the finish, avoid any harsh abrasives or chemicals.