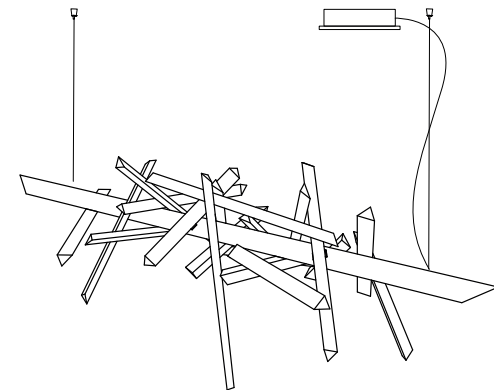


**SLAMP®**  
THE LEADING LIGHT

LA TRAVIATA

220



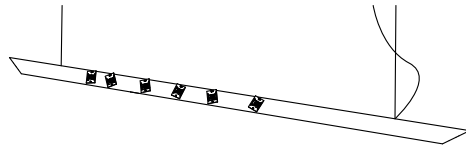
**LIGHT SCULPTURE**  
design by Robert Wilson

**CASAMBI  
INSTALLATION  
INSTRUCTIONS**

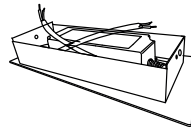
**SLAMP®**  
THE LEADING LIGHT

## LEGEND

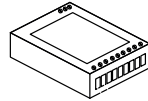
1 X MAIN STRUCTURE



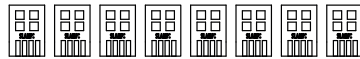
1 X CEILING ROSE with  
POWER SUPPLY



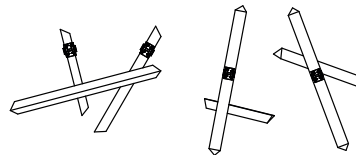
1 LED DIMMER



13 X RGB UNITS



11 X MODULES



"WITHOUT LIGHT +  
+ there is  
NO SPACE"

robert wilson

**!** If the lamp's external electric wire has been damaged, to avoid dangers, it must be replaced exclusively by manufacturer, by its customer service, or by other skilled workers.

*Our lamp's surfaces should be cleaned using a soft, water damp cloth, otherwise use antistatic spray. Under no circumstances should acetone, trichloroethylene, ethyl alcohol, ammonia, or detergents containing even small quantities of these substances be used, because they attack plastic surfaces. Scouring powder, abrasive creams and all cleaning equipment with rough surfaces, should also be avoided.*



SLAMP è conforme alla Direttiva UE (Unione Europea) del 2002 (2002/96/CE) riguardante i rifiuti di apparecchiature elettriche ed elettroniche, che mira a ridurre l'impatto dei rifiuti elettronici sull'ambiente. La Direttiva RAEE è stata recepita dalle leggi di tutti gli stati membri dell'Unione Europea.

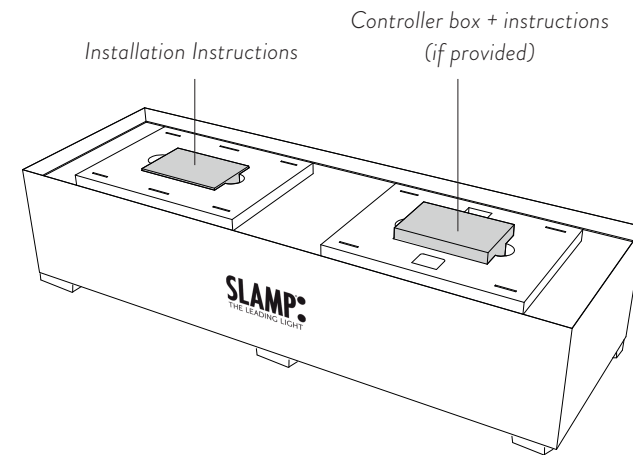
SLAMP is in conformity with Directive 2002/96/EC (Waste Electrical and Electronic Equipment - WEEE).

## ENGLISH/ INFORMATION FOR USERS

Directive 2002/96/EC (Waste Electrical and Electronic Equipment - WEEE)  
The use of the WEEE symbol indicates that this product may not be treated as household waste. By ensuring this product is disposed of correctly you will help protect the environment. For more detailed information about the recycling of this product, please contact your local authority, your household waste disposal service provider or the shop where you purchased the product.

MADE IN ITALY - INTERNATIONAL PATENT  
Utility Model, Ornamental Design, Trade Mark, Copyright on Artist Design  
SLAMP S.p.A. Via TVaccareccia 12/14 - 00071 Pomezia (Roma)  
Tel.+39 06 9162391 - Fax 06 91623933 - info@slamp.it - www.slamp.com

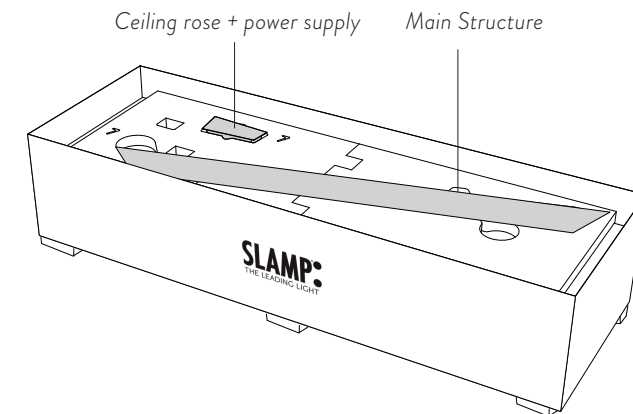
## 1° LEVEL



After opening the wooden box, lift up the internal layer of the packaging using the handles, in order to release the instructions and the remote control if provided.

**A**

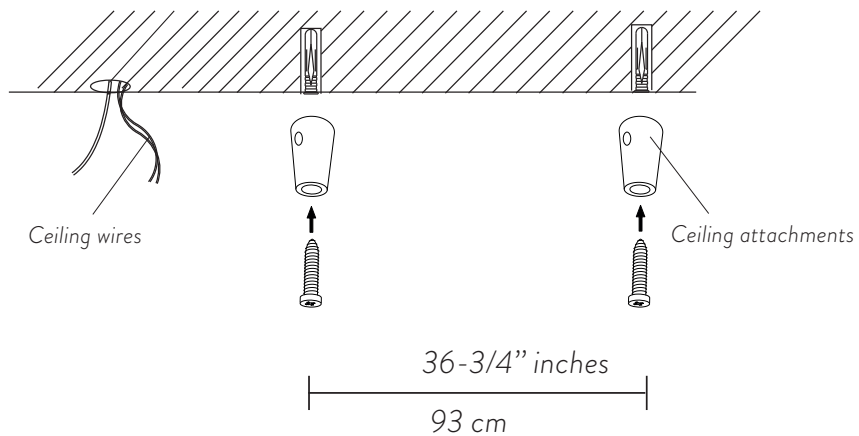
## 2° LEVEL



Lift up the second internal layer of the packaging using the handles, in order to release the main structure with the rigging kit (wires and ceiling rose).

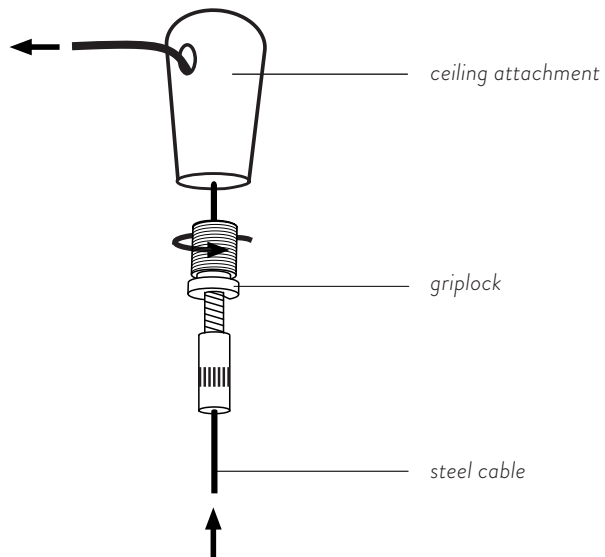
**B**

## INSTALL THE MAIN STRUCTURE TO THE CEILING



Drill two holes into the ceiling at a distance of 36-3/4" / 93 cm and insert the plastic anchors. Keeping in mind the distance of the ceiling wire for the ceiling rose installation. Insert the screw anchors. Mount the ceiling attachments with the supplied screws.

C



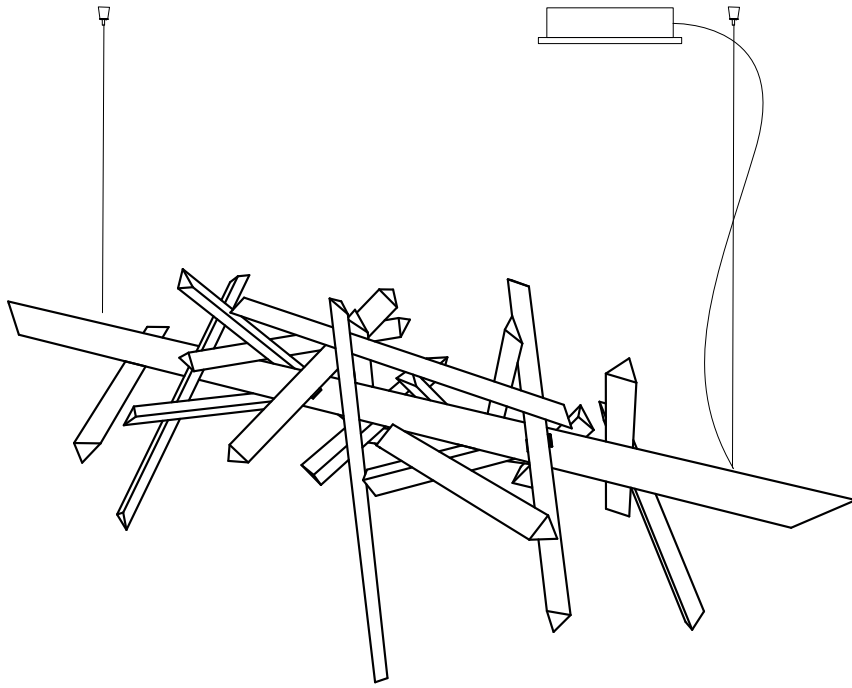
Screw the griplocks on the ceiling attachments as show in the picture. Insert the steel cables in the griplocks.

D

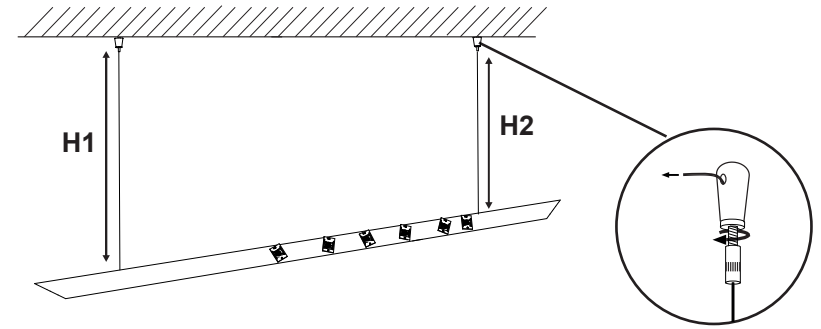


## TURN ON THE LAMP

La Traviata can be controlled by the user with an external control . To turn on the lamp follow the proper controller instructions.



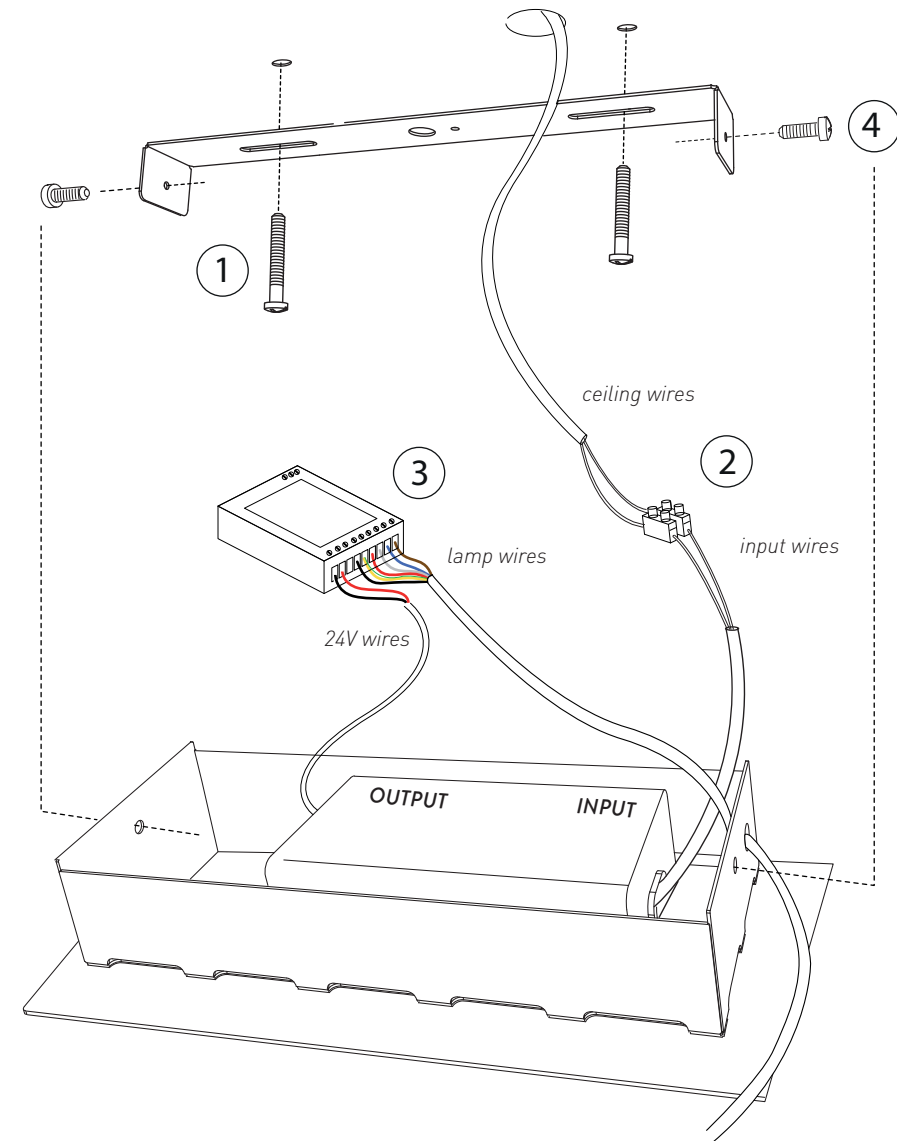
CORRECTLY ASSEMBLED LIGHT SCULPTURE



To choose the height and the position of the sculpture adjust the steel cables as you prefer. **The two heights are separately adjustable.**

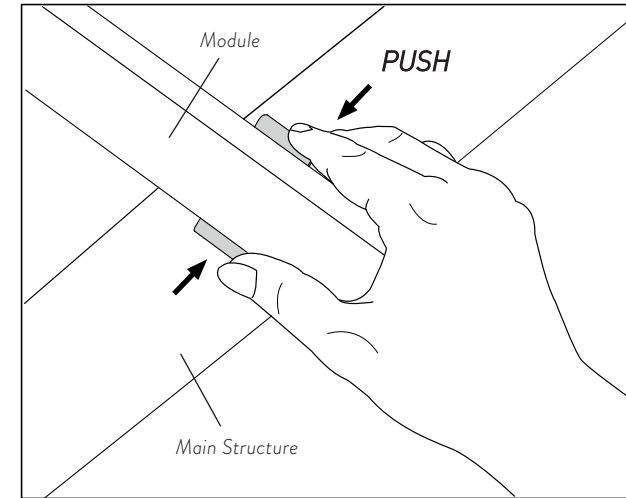
Loosen the clamp's pellet and push it to slide the wire at desired length, then screw it on for stop the wire.

**E**



**F** Electrically connect the wires and fix the ceiling rose following the steps

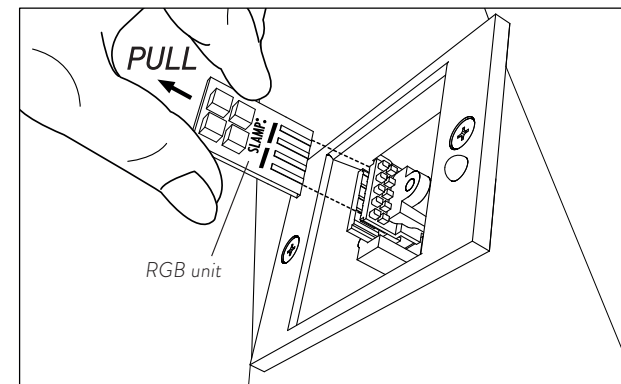
## DISASSEMBLING OF THE MODULES



To release the modules press the handles of the connectors as shown. Take care not to damage the RGB units.

**I** REPEAT THIS OPERATION 13 TIMES.

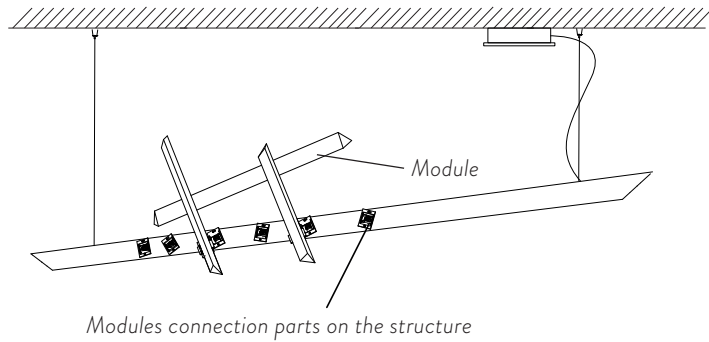
## DISASSEMBLING OF RGB UNITS



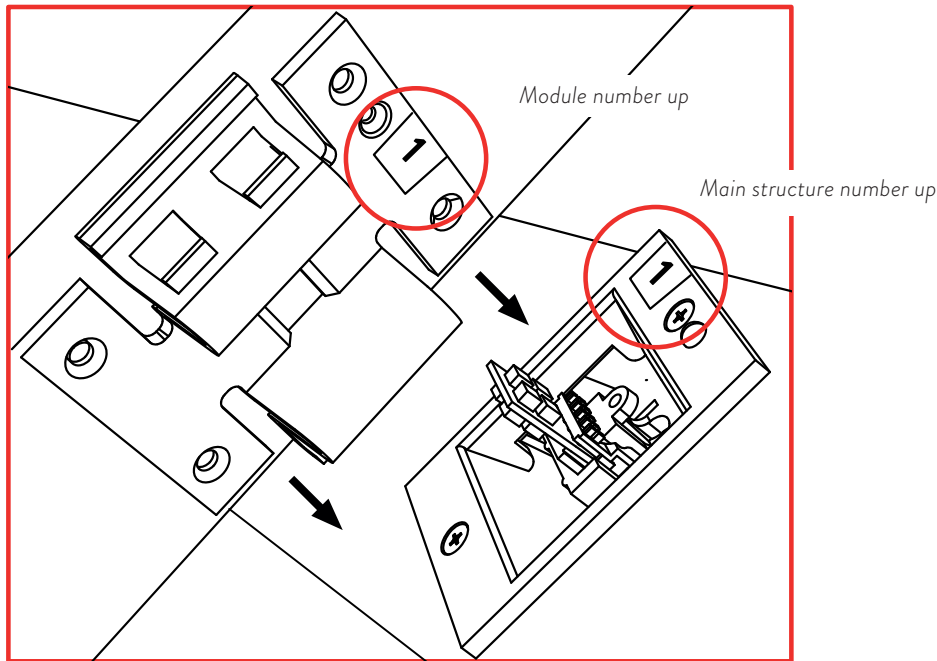
To release the RGB unit pull as shown.

**J** REPEAT THIS OPERATION 13 TIMES.

## CONNECTION OF THE MODULES



**RIGHT SIDE**



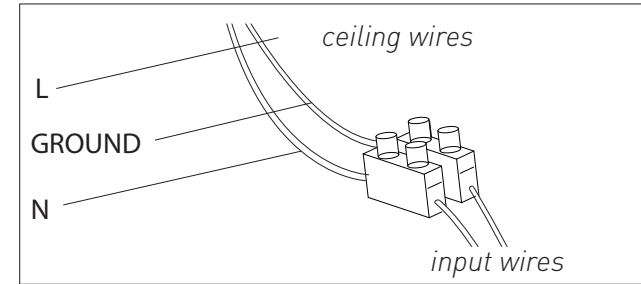
Connect the modules to the main structure paying attention to the right side of the number of the modules and the main structure.

**H** REPEAT THIS OPERATION 13 TIMES.

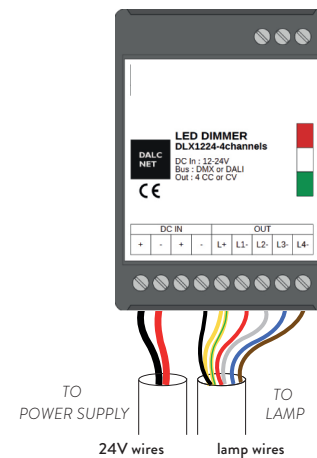
## ELECTRICALLY CONNECT THE LAMP

1 Fix the bracket and the cover to the junction box with the provided screws. If the junction box is not present, fix the bracket directly to the ceiling.

2 Connect the ceiling wires to the input power supply wires following the image.



3 Connect the wires following the colours and the functions as shown below. Please be very careful in identifying the colours. For further information read the provided electrical diagram, the dimmer and the power supply instructions.

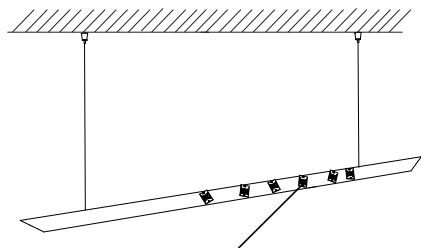


LAMP WIRES	
COLOUR	FUNCTION
YELLOW/GREEN	+24
YELLOW	+24
BLACK	- NEGATIVE
RED	R
TRANSPARENT	G
BLUE	B
BROWN	W

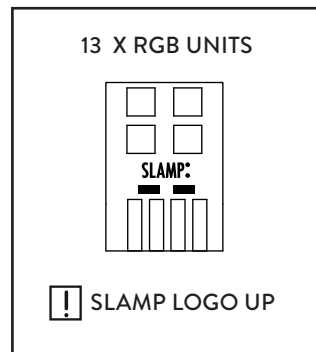
24V WIRES POWER SUPPLY	
COLOUR	FUNCTION
RED	+
BLACK	-

4 Fix the ceiling rose to the bracket with the provided screws.

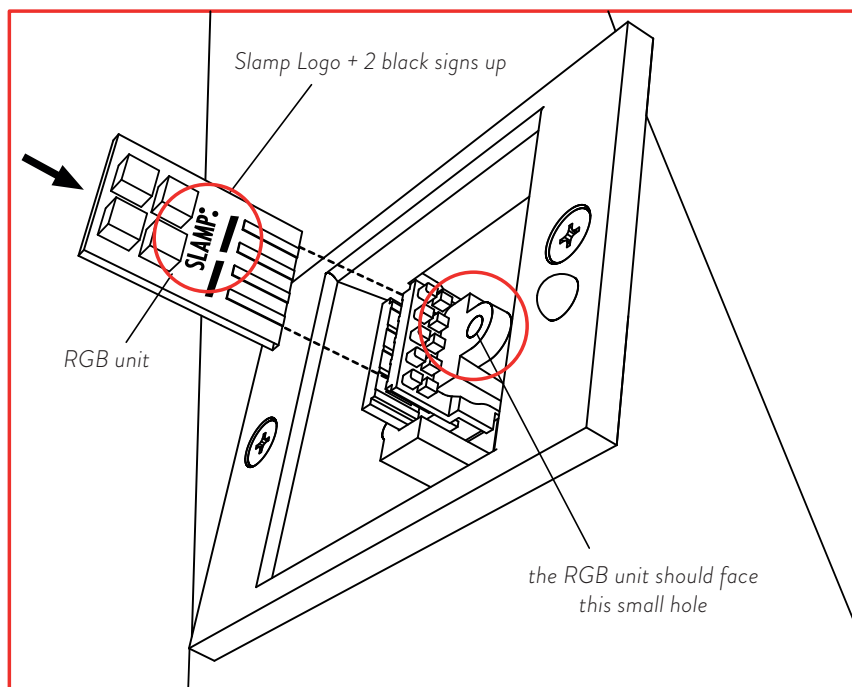
## CONNECTION OF THE RGB UNITS



RGB connection parts on the structure



### CORRECT CONNECTION



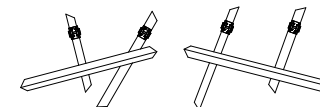
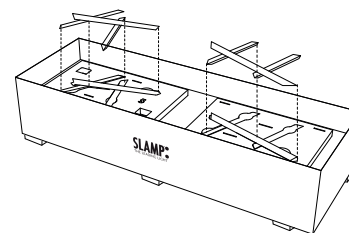
Insert the RGB units in the connection parts on the main structure. Pay attention to the right side of the RGB ( Slamp logo up) and at the small hole on the main structure connections.

**G**

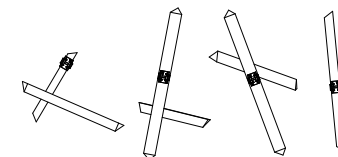
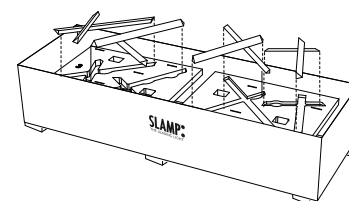
**REPEAT THIS OPERATION 13 TIMES.**

## MODULES LEGEND

### 3° LEVEL



### 4° LEVEL



### 5° LEVEL

