

INSTALLATION INSTRUCTIONS FOR P1448-077-L

For LED Pendant

READ AND SAVE THESE INSTRUCTIONS

WARNING! SHUT POWER OFF AT FUSE OR CIRCUIT BREAKER
AVERTISSEMENT! COUPER LE COURANT AU NIVEAU DES FUSIBLES OU DO DISJONCTEU

ASSEMBLING THE FIXTURE (Fig.1)

1. Shut off power at the fuse box or circuit breaker. Remove the old fixture including the mounting hardware.
2. Carefully remove the fixture from the carton and check that all parts are included as show in Figure 1. Unscrew screw(G) to remove the metal plate (V) from the canopy (F), unscrew the thumb nut(L) to remove the mounting plate (A) from the metal plate (V).
3. Attach the mounting plate (A) to the junction box using the mounting screws (B, size 8#-32N 1"). The side of the mounting plate marked "GND" must face out.
4. The support cable(E) is provided to support the weight of the fixture while wiring. Align the fixture to mounting plate(A) and attach the end of support cable (E) into the hook hole on the mounting plate(A). Carefully allow the support cable(E) to support the weight of the fixture while wiring.

CONNECTING THE WIRES (Fig. 2)

5. Pass the fixtures wires and bare copper through the hole of the metal plate (V), hold the fixture body (F) and metal plate (V). Connect the electrical wire as shown in figure 2, making sure that all wire connectors are secured. If your junction box has a ground wire(green or bare copper), connect the ground wire from the fixtures to it. Otherwise connect fixture ground wire directly to the mounting plate using the green screw (D) provided. Tuck the wire connections neatly into the ceiling junction box as you hold the canopy towards the ceiling.

FINISHING THE INSTALLATION (Fig.1)

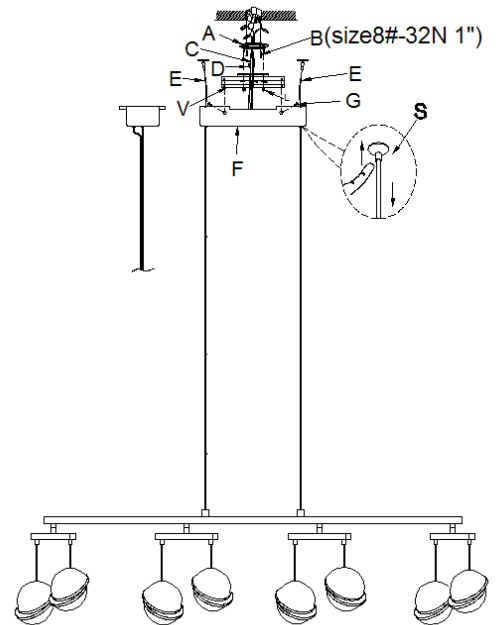
6. Attach the metal plate (V) to the mounting plate (A), and then twist the thumb nut(L) as shown in Fig. 1.
7. Adjust the length of the cable to pull or push until the desired length by pushing down the spring nut (S). Fix the canopy (F) into the metal plate (V) with screw (G).

Your installation is now complete. Return power to the junction box and test the fixtures.

CAUTION/ATTENTION: When handling the fixture, do not apply pressure to the LEDs. Hold the fixture by the frame only.

IMPORTANT: Fixtures should be installed by a qualified electrician to ensure proper wiring and installation. Dimmable with ELV and/or LED compatible wall dimmer switches.

Fig 1



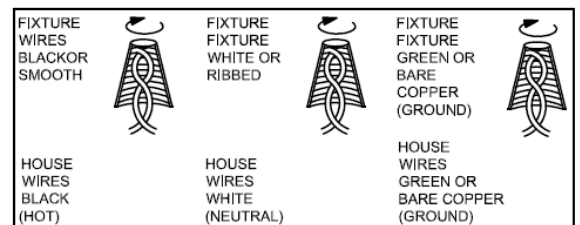
Set# A-020-A

-mounting plate

-Ground Screw

-Mounting Screw*2

Fig.2



INSTALLATION INSTRUCTIONS FOR P1448-077-L

For LED Pendant

READ AND SAVE THESE INSTRUCTIONS

WARNING! SHUT POWER OFF AT FUSE OR CIRCUIT BREAKER
AVERTISSEMENT! COUPER LE COURANT AU NIVEAU DES FUSIBLES OU DO DISJONCTEU

LED module replace (Fig.3)

Shut off power before replacing

1. There have 2 LED modules in each head, if one of them do not work, replace it as shown in Fig. 3. Make sure the power is off before you replace.
2. Turn the acrylic shade (H), unscrew the screw (I) with screw driver to take out the acrylic shade (J) .
3. Use a pin press the quick connector (K), disconnect the wires respectively, replace a new metal (L) and module.
4. Repeat 3-1 to assemble the fixture.

Your installation is now complete. Return power to the junction box and test the fixtures.

Fig 3

