



With clean lines and graceful proportions, the HUAN is a timeless design that embodies both modern forms with a nostalgic silhouette. The round circular frame is inspired by the Moon Gate, which is a classic architectural element common in oriental gardens. The hemisphere lamp shade seamlessly integrates with the circular frame, bringing warmth and serenity to any interior. The HUAN is available in Matt Black or Matt White, and in two convenient sizes. With clean geometry and striking symmetry, the perfectly circular frame is finely finished in our iconic Champagne Gold, providing for an everlasting cozy glow.

By Chang, Huan Rou 張幻柔

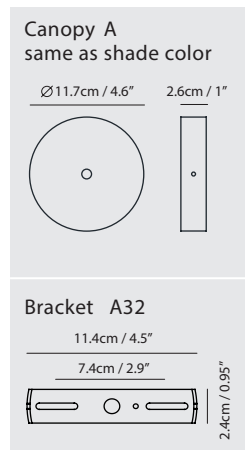
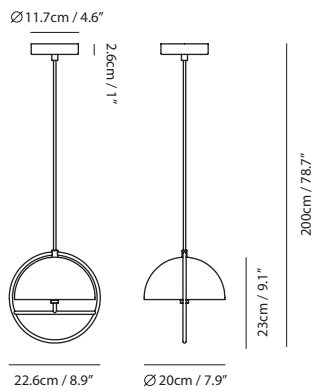


matt black + champagne gold



matt white + champagne gold

Measurement : centimeter / inches



Huan Pendant PS

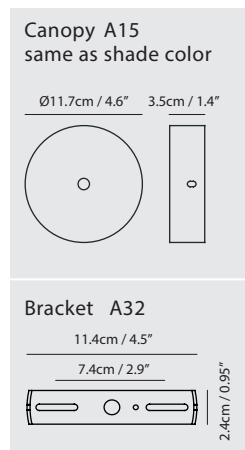
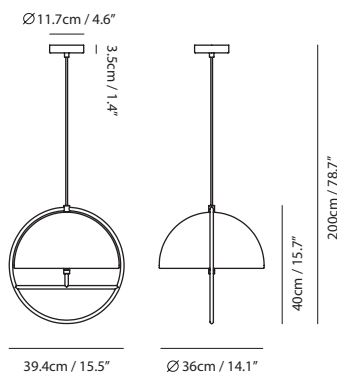
Model
SG-226MP

Material
steel, glass

Light Source
G9 LED 2 x 5W 2700K

Weight
1.5kg / 3.3lb

Color
 matt black + champagne gold
 matt white + champagne gold



Huan Pendant PL

Model
SQ-394MP

Material
steel, glass

Light Source
E26 LED 2 X Max 15W

Weight
3.2kg / 7.1lb

Color
 matt black + champagne gold
 matt white + champagne gold