

Sedona Triple Chandelier

700SDNMPL3_ 1.1



CHANDELIER

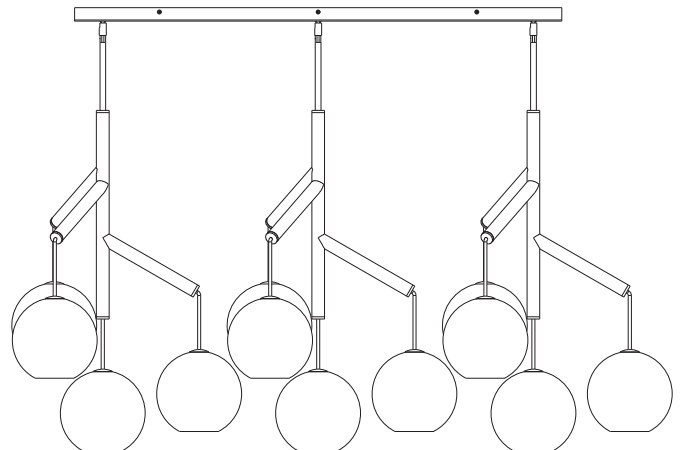
GENERAL PRODUCT INFORMATION:

These fixtures are intended to be installed utilizing NEC compliant junction boxes.

This product is suitable for damp locations.

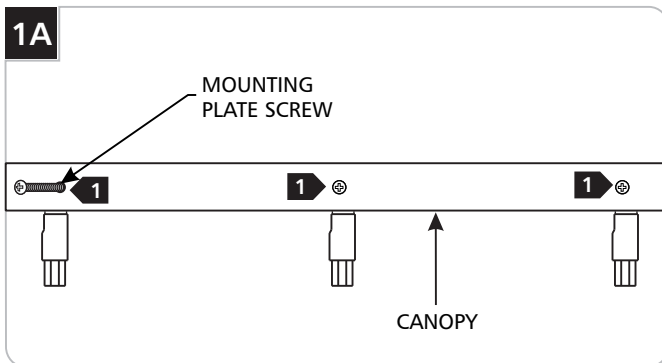
Dimmable with LED compatible dimmer or triac dimmer.

This fixture can be mounted up to a 45° angle.

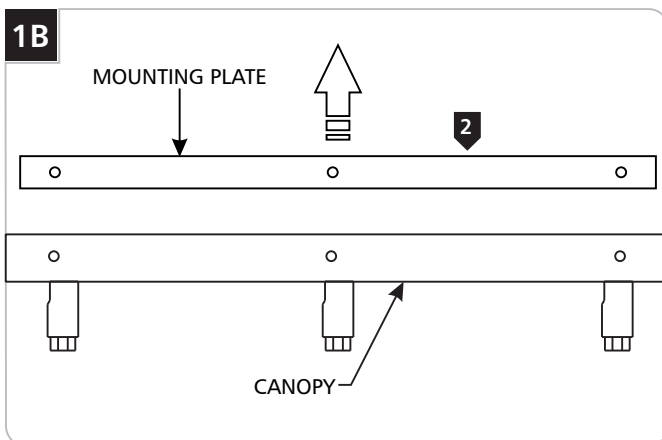


CAUTION - RISK OF FIRE
 This product must be installed in accordance with the applicable installation code by a person familiar with the construction and operation of the product and the hazards involved.
 Use minimum 90°C supply conductors.

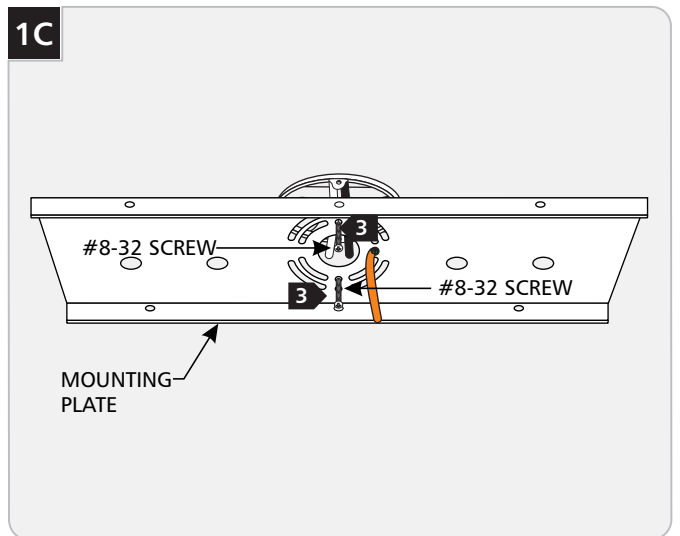
Install the Mounting Plate



1 Separate the mounting plate from the canopy by removing all four screws.

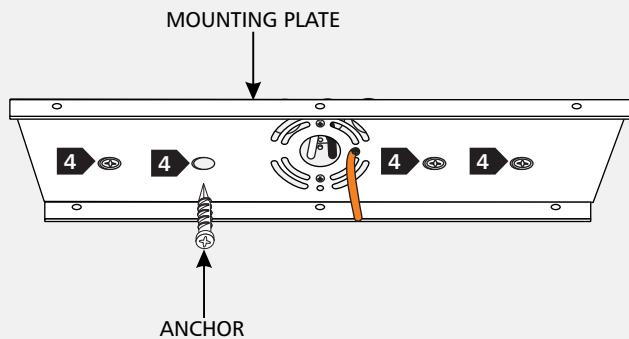


2 Remove the mounting plate from the canopy.



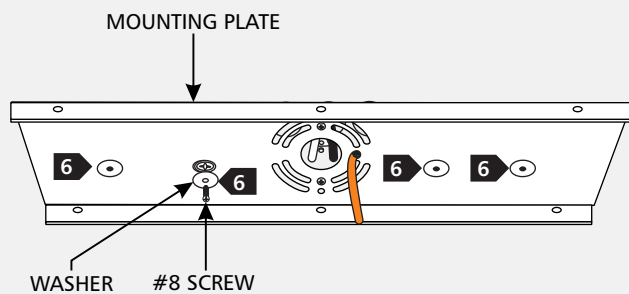
3 Secure the mounting plate to the electrical box with the two #8-32 screws provided.

1D



- 4 Line up an anchor with the center of a mounting plate hole and push the anchor in up to the threads.
- 5 Screw the anchor the rest of the way in with a screwdriver.

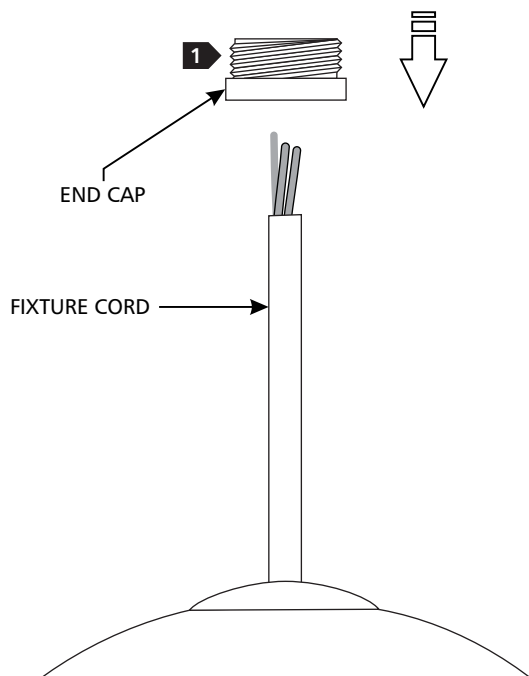
1E



- 6 Secure the mounting plate to the anchor with a #8 screw and washer.
- 7 Repeat steps 4-6 for the remaining anchors.

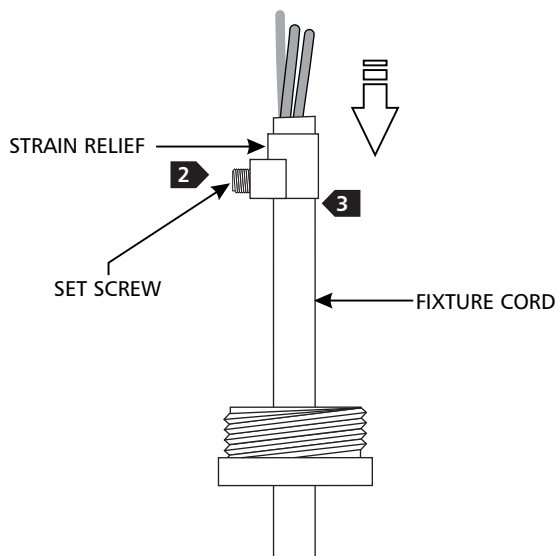
Assemble the Fixture

2A

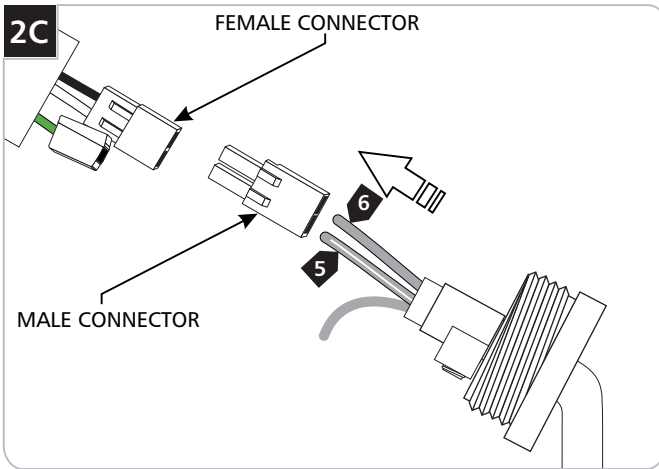


- 1 Slide the end cap over the fixture cord making sure the threading faces upward.

2B

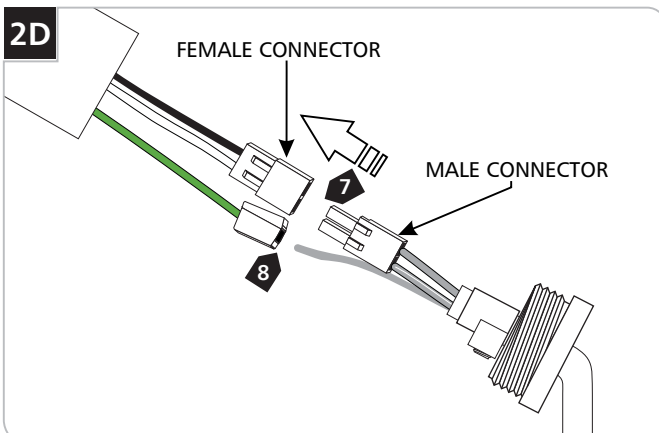


- 2 Loosen (**do not remove**) the set screw in the strain relief.
- 3 Slide the strain relief over the fixture cord and position it near the end of the cord.
- 4 Tighten the set screw in the strain relief to hold it in place.

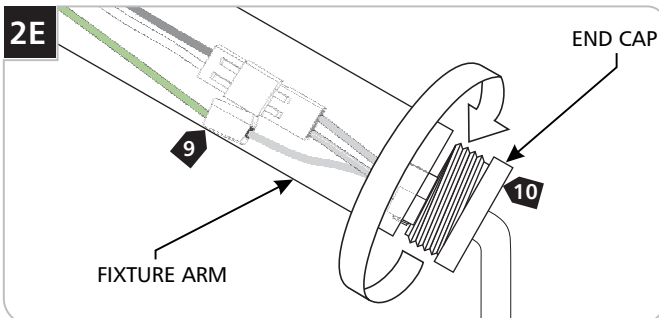


CAUTION: Exposed hot and neutral conductors may result in a short. Ensure no bare wire is exposed.

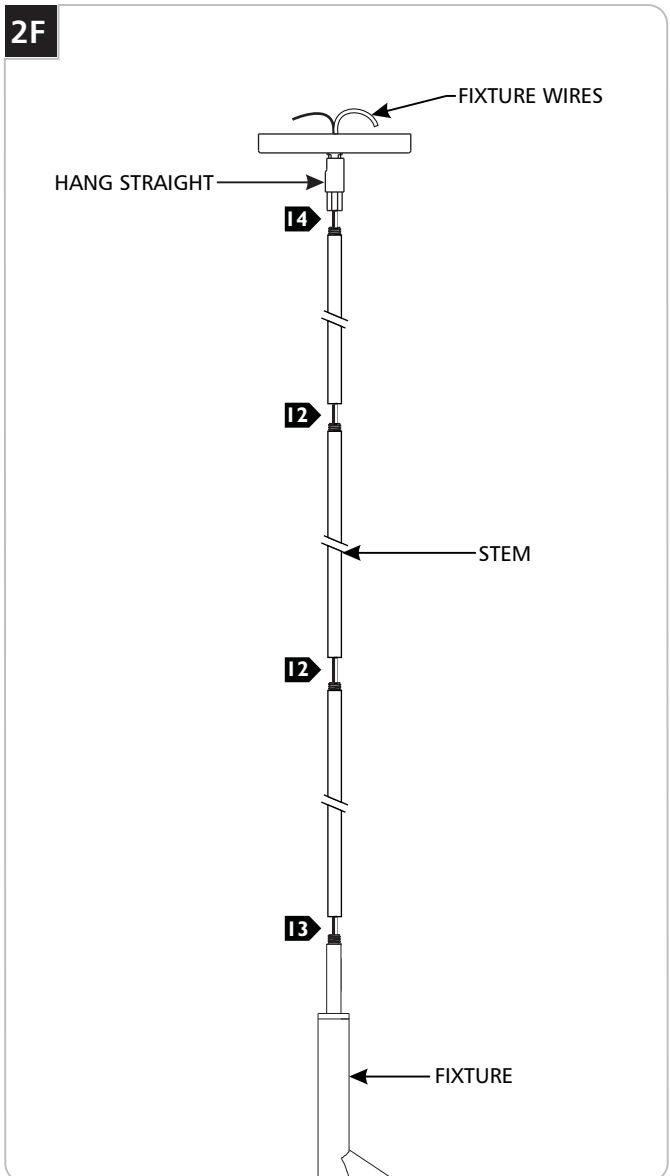
- 5 Push the neutral wire (white tracer) all the way into the side of the male connector that lines up with the white wire on the female connector.
- 6 Push the hot wire all the way into the other side of the male connector.



- 7 Connect the male connector by pushing it into the female connector until it locks in place.
- 8 Compress the ground wire connector and insert the bare silver wire, then release the connector.



- 9 Gently insert all connections into the fixture arm.
- 10 Screw the end cap on to the fixture arm.



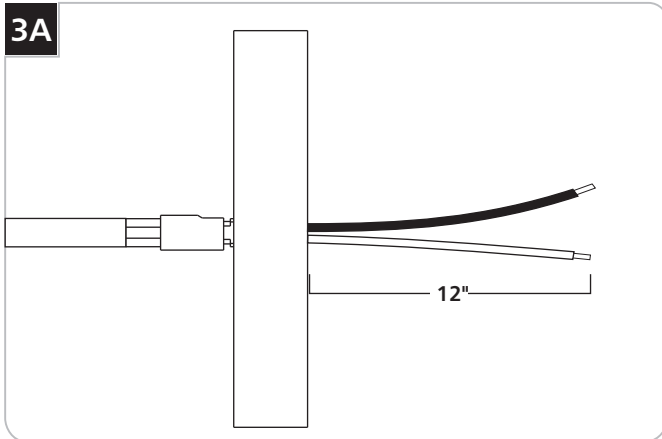
NOTE: Complete the next steps for each section of the chandelier.

NOTE: This fixture can be mounted up to a 45° angle. For vaulted ceilings, align each hang straight so that they pivot in the same direction.

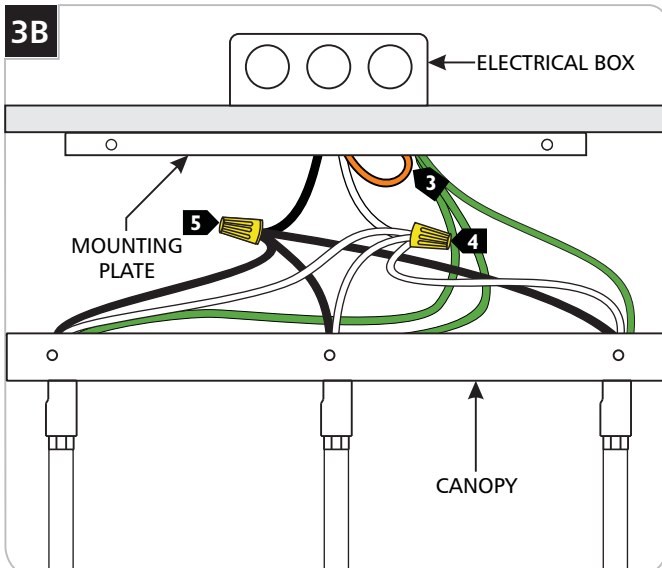
- 11 Determine desired length of fixture using the provided stems and assemble them by screwing them together.
- 12 Feed the fixture wires through the stem assembly and screw it to the fixture.
- 13 Feed the fixture wires through the hang straight and screw it onto the stem assembly.
- 13 (Optional) Align the fixtures by loosening (**Do Not Remove**) the nut in the canopy that holds the hang straight in place, and rotate the fixture until properly aligned. Then re-tighten the nut.

NOTE: When mounted on a vaulted ceiling, if the fixtures' globes are not aligned evenly or are making contact with each other, loosen the stem assembly a semi turn from the hang straight to align the globes.

Install the Fixture

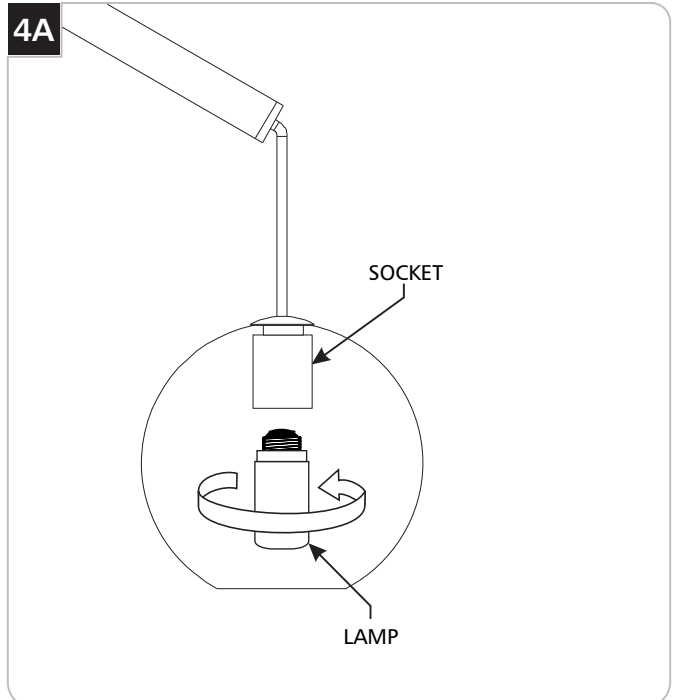


- 1 Leave 12" of the cord behind the canopy for power connections. Cut the excess cord.
- 2 Strip the end of the wires.



- 3 Connect the ground wire to a suitable ground in accordance with local electrical codes.
- 4 Connect the white wires to the neutral power wire with a wire nut.
- 5 Connect the black wires to the hot power wire with a wire nut.
- 6 Neatly place all wires and wire nut connections in the canopy and reinstall the canopy to the mounting plate (reversal of step 1A).

Install the Lamps



CAUTION: To reduce the risk of a burn or electric shock during re-lamping, disconnect the power to the fixture

Refer to fixture marking for lamp information.

- 1 Screw the lamps into the sockets.

SAVE THESE INSTRUCTIONS!



TECH LIGHTING®

7400 Linder Ave, Skokie, IL 60077
847.410.4400

www.techlighting.com

© 2018 Tech Lighting, L.L.C. All rights reserved. The "Tech Lighting" graphic is a registered trademark of Tech Lighting, L.L.C. Tech Lighting reserves the right to change specifications for product improvements without notification.
A Generation Brands Company