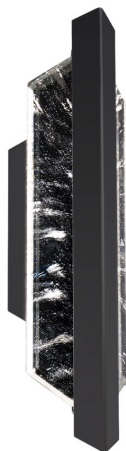
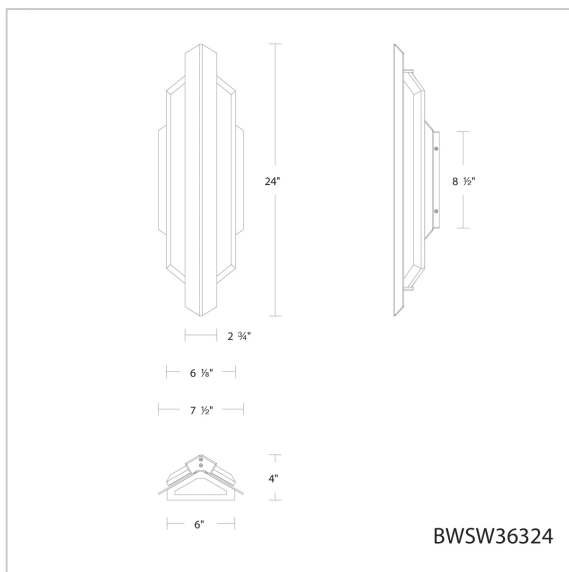


Vesta

BWSW36324



LINE DRAWING



Project:

Location:

Fixture Type:

Catalog Number:

DESCRIPTION

Modern Art. Making a multi-dimensional statement, uniquely patterned cloudy crystal intersects with reflective plates creating dynamic lines of light.

FEATURES

- Optic Haze™, made of natural quartz, has unique variations in luster, hue, patterning and texture inherent to this material. When illuminated, the dimension of the crystal is beautifully accented.
- Specifically formulated using powder coat to resist UV and coastal environmental conditions, providing a long-lasting finish with premium 316 Marine mirror grade stainless steel plate and hardware
- Built in color temperature adjustability. Switch from 3000K/3500K/4000K. Switch may be installed in junction box.
- Can be mounted on wall vertically or upside down
- Driver concealed within the canopy

CRYSTAL OPTIONS



Optic Haze
Crystal
(OH)

FINISH OPTIONS



Black
(-BK)

SPECIFICATIONS!

Light Source	LED
CRI	90
Dimming	ELV, Triac
Standards	ETL/cETL, IP65

REPLACEMENT PARTS

RPL-GLA-36324 - Replacement Crystal BWSW36324

Model	Crystal	Finish	Size	CCT	Voltage	Wattage	Weight	LED Lumens	Delivered Lumens
BWSW36324	OH	- BK	24"	3000K/3500K/ 4000K	120V/277V	27W	12.5lbs	1065	Up To 750

Example: BWSW36324-BK

Vesta

schonbek.com
Phone (800) 836.1892 | Fax: (518) 563.4228

Headquarters/Eastern Distribution Center
61 Industrial Blvd, Plattsburgh, NY 12901