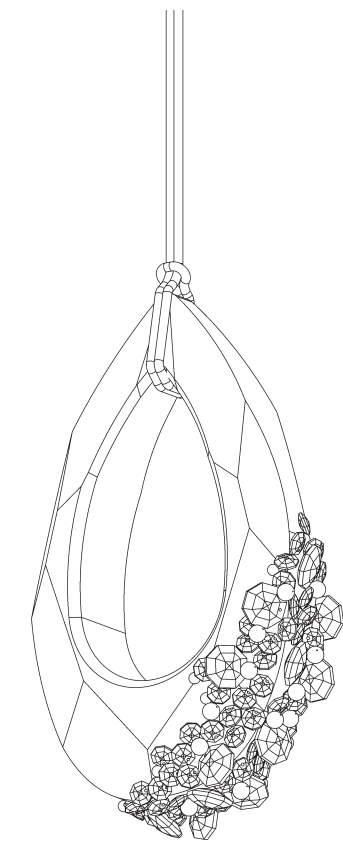


FOREVER
SCHONBEK

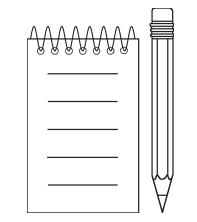
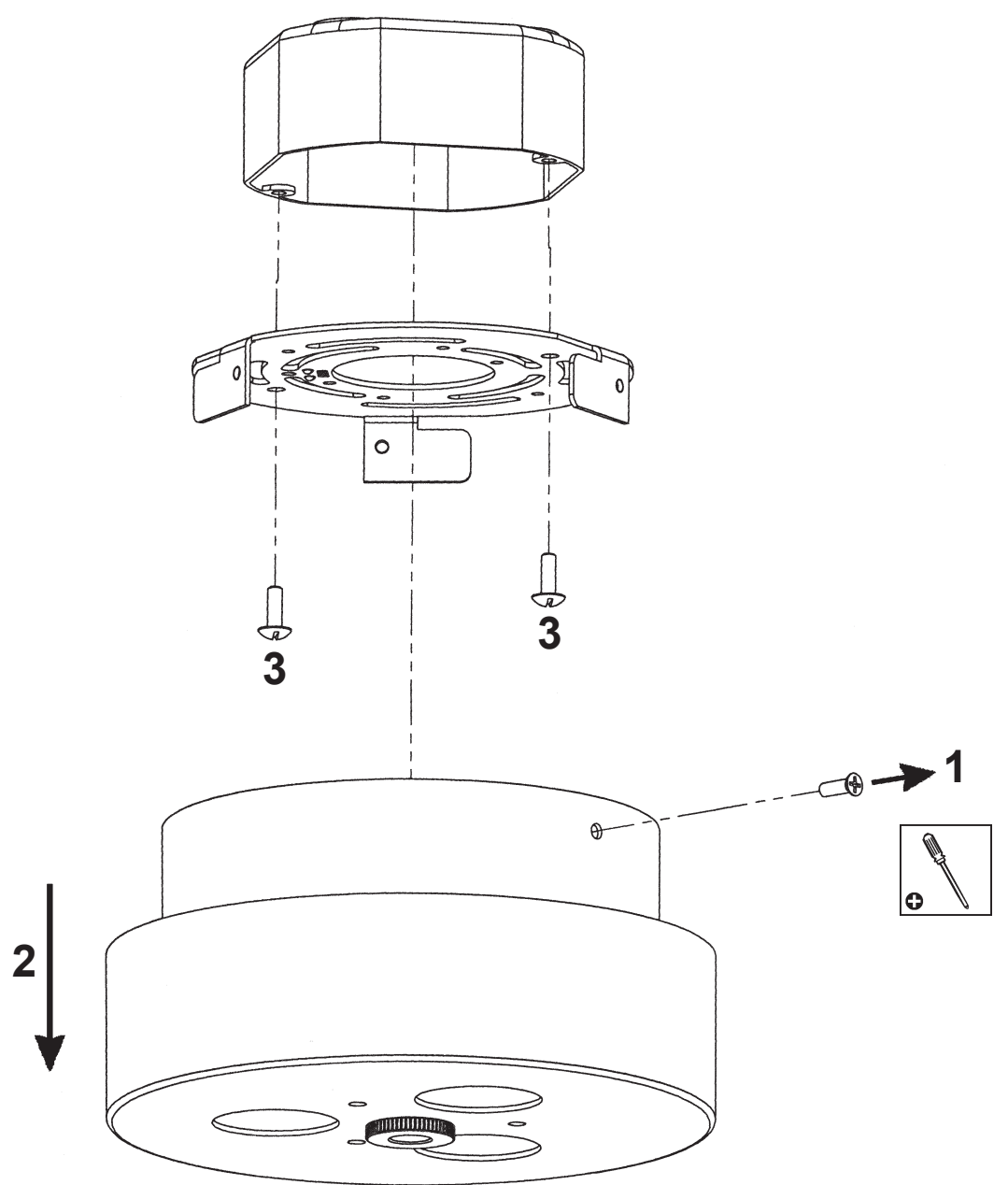
TRINITY
SJ8813-_____R

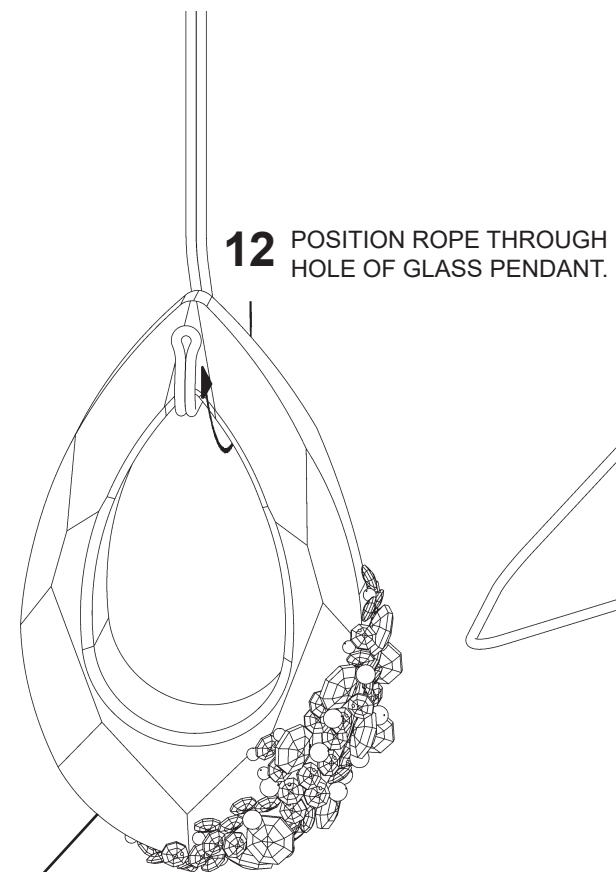


THIS DESIGN IS THE PROPRIETARY
TRADE DRESS/TRADEMARK OF
W SCHONBEK LLC.

FOREVER
SCHONBEK

MAX 38 W	120-277 V						

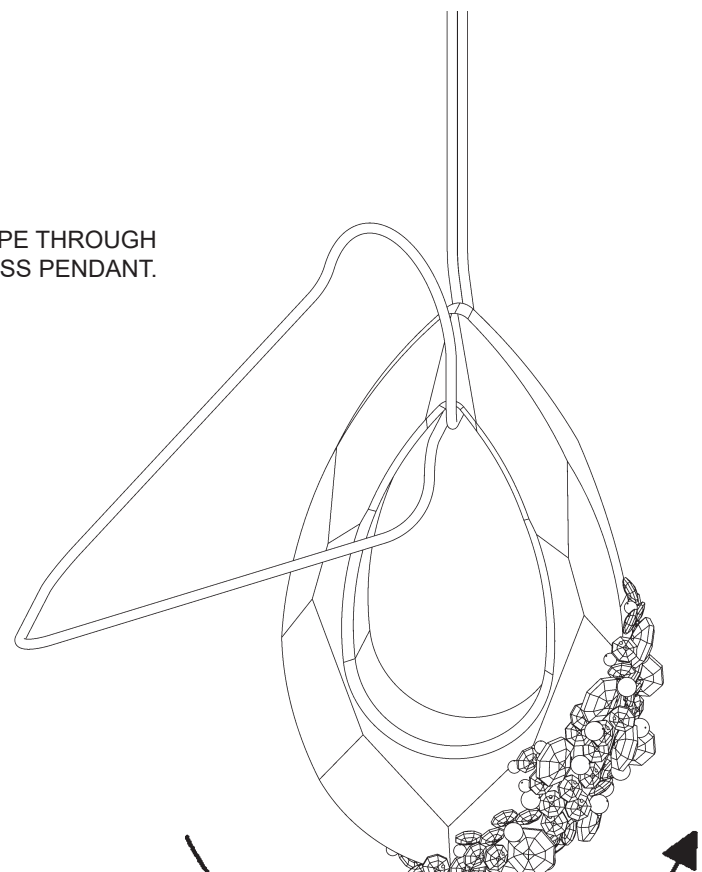




12 POSITION ROPE THROUGH HOLE OF GLASS PENDANT.

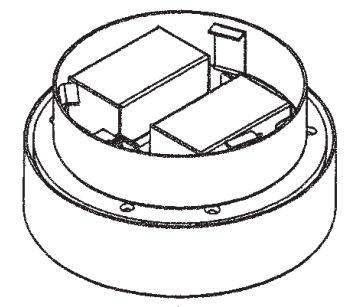
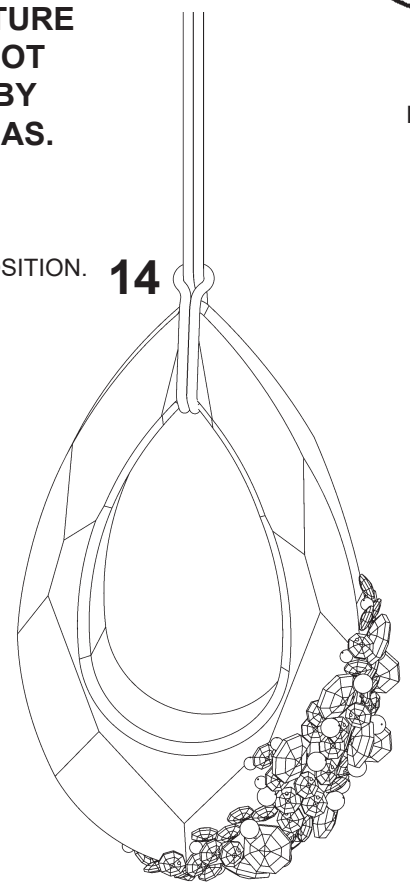
90582/1

****ATTENTION****
DUE TO FRAGILE NATURE
OF PRODUCT, DO NOT
HANDLE FIXTURE BY
CRYSTALLIZED AREAS.



13
MAKE LOOP, AS SHOWN,
AND PASS AROUND
OUTSIDE OF GLASS
PENDANT.

FINAL ROPE POSITION. **14**

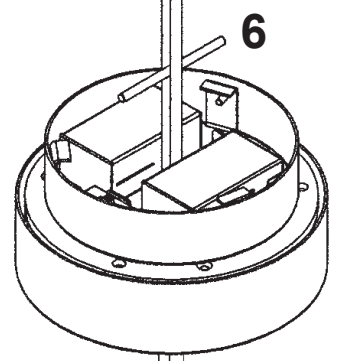


4

RPL-S23-***

****IMPORTANT NOTE****
TIE DOUBLE KNOT.
PULL TIGHTLY TO
SECURE IN PLACE.

5
1" MIN



****IMPORTANT NOTE****
ROPE MAY STRETCH
SEVERAL INCHES
DURING THE FIRST
MONTH OF PRODUCT
INSTALLATION. PLEASE
KEEP IN MIND WHEN
SETTING ROPE LENGTH.

