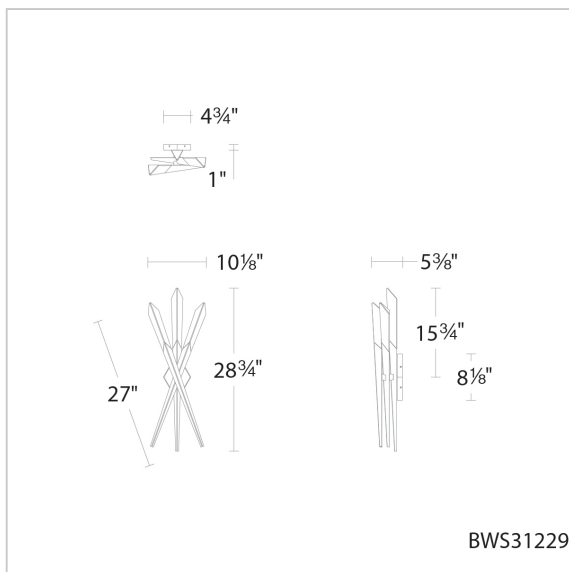


# Solitude

BWS31229



## LINE DRAWING



Project:

Location:

Fixture Type:

Catalog Number:

## DESCRIPTION

Luxuriously crafted and beautifully designed to add dramatic character to any space, a spear of Optic Haze crystal composed of natural quartz gemstone illuminates and gravitates with bolts of luminous energy.

## FEATURES

- Optic Haze™, made of natural quartz, has unique variations in luster, hue, patterning and texture inherent to this material. When illuminated, the dimension of the crystal is beautifully accented.
- Built in color temperature adjustability. Switch from 3000K/3500K/4000K. Switch may be installed in junction box.
- Driver concealed within the canopy

## CRYSTAL OPTIONS



Optic Haze  
Crystal  
(OH)

## FINISH OPTIONS



Aged Brass  
(-AB)



Antique  
Nickel  
(-AN)

## SPECIFICATIONS!

<b>Light Source</b>	LED
<b>CRI</b>	90
<b>Dimming</b>	ELV, Triac
<b>Standards</b>	ETL/cETL, Title 24

## REPLACEMENT PARTS

RPL-GLA-31270 - Replacement Crystal BWS31270  
 RPL-GLA-31229-01 - Replacement Crystal (Center)  
 RPL-GLA-31229-02 - Replacement Crystal (Sides)

Model	Crystal	Finish	Size	CCT	Voltage	Wattage	Weight	LED Lumens	Delivered Lumens
BWS31229	OH	- AB - AN	29"	3000K/3500K/ 4000K	120V/277V	15W	6.5lbs	900	Up To 675

### Example: BWS31229-AB

Solitude

schonbek.com  
 Phone (800) 836.1892 | Fax: (518) 563.4228

Headquarters/Eastern Distribution Center  
 61 Industrial Blvd, Plattsburgh, NY 12901