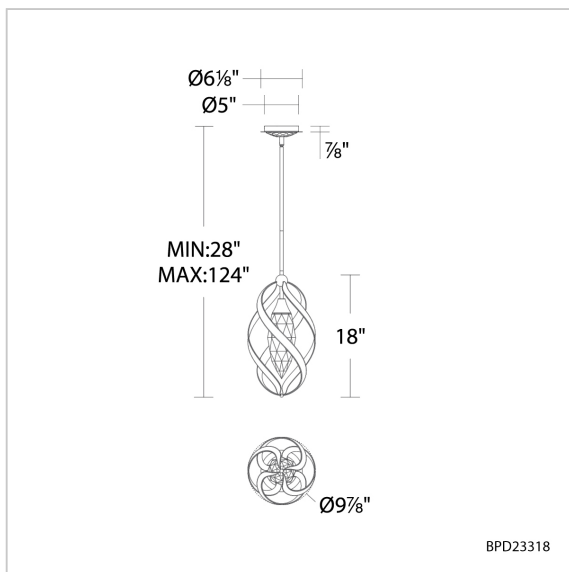


Solan

BPD23318



LINE DRAWING



Project:

Location:

Fixture Type:

Catalog Number:

DESCRIPTION

With a swirl of grace, Solan offers a touch of whimsy from hand-finished arms surrounding a glimmering column of clear Optic crystal. Hidden LEDs create a scintillating play of light that changes like a kaleidoscope, constantly intriguing and fascinating.

FEATURES

- Built in color temperature adjustability. Switch from 3000K/3500K/4000K.
- Spin-on round canopy with minimal hardware
- Hangstraight swivel.
- Three 12" and one 6" down rods included (additional sold separately for extension)
- Can be mounted on a sloped ceiling.
- Driver concealed within the canopy

CRYSTAL OPTIONS



Optic Crystal
(O)

FINISH OPTIONS



Black
(-BK)

SPECIFICATIONS!

Light Source	LED
CRI	90
Dimming	ELV, Triac
Standards	ETL/cETL, Title 24

Model	Crystal	Finish	Size	CCT	Voltage	Wattage	Weight	LED Lumens	Delivered Lumens
BPD23318	O	- BK	18"	3000K/3500K/ 4000K	120V/277V	11W	13lbs	500	Up To 460

Example: BPD23318-BK

Solan

schonbek.com
Phone (800) 836.1892 | Fax: (518) 563.4228

Headquarters/Eastern Distribution Center
61 Industrial Blvd, Plattsburgh, NY 12901