

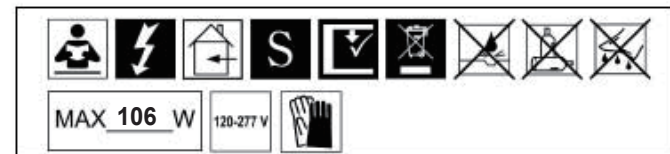
FOREVER  
SCHONBEK

SEDUCTION  
SJ4366RE



THIS DESIGN IS THE PROPRIETARY  
TRADE DRESS/TRADEMARK OF  
W SCHONBEK LLC.

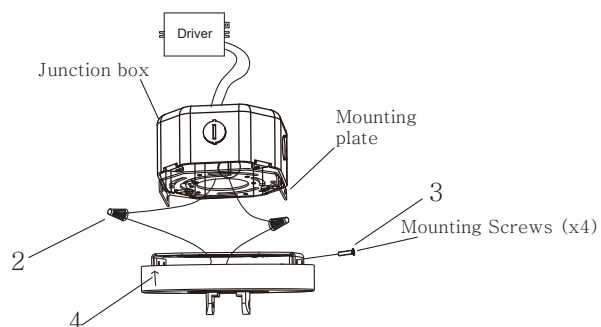
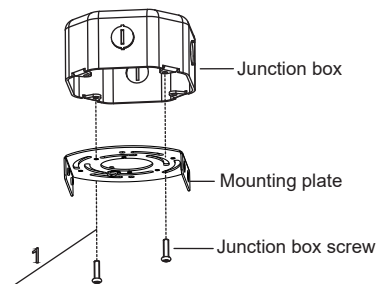
FOREVER  
SCHONBEK



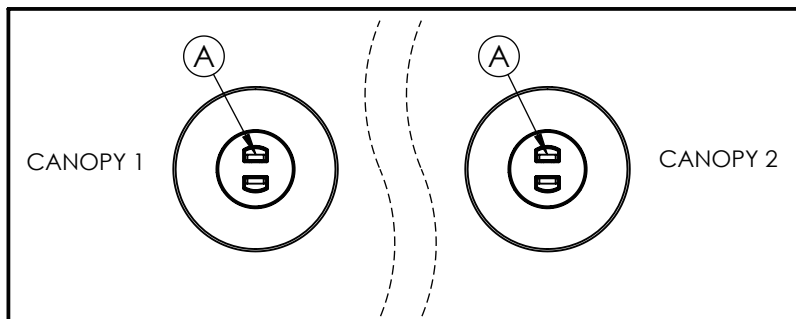
WWW.SCHONBEK.COM/INSTALLATIONMANUAL

All electrical components must be installed by a licensed electrician in accordance with the National Electric Code and the appropriate local electrical codes.

Fixture must be assembled per the provided instructions. Altering number of crystal modules may cause product failure and will void warranty.



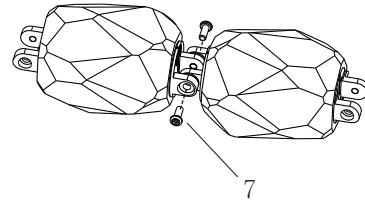
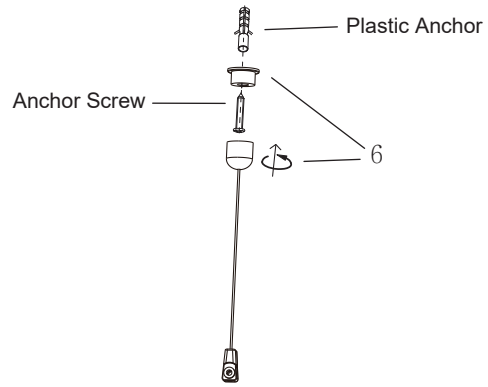
DETAIL  
VIEW 1



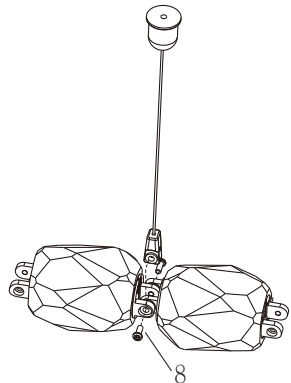
REPEAT STEPS 1-4 FOR BOTH CANOPIES. ORIENTATION MUST BE AS SHOWN IN DETAIL VIEW 1. TABS MARKED WITH A MUST BE IN LINE ON BOTH CANOPIES



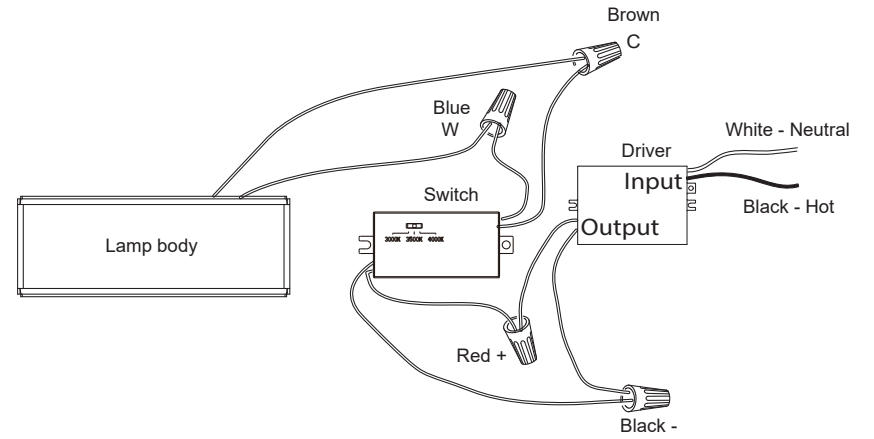
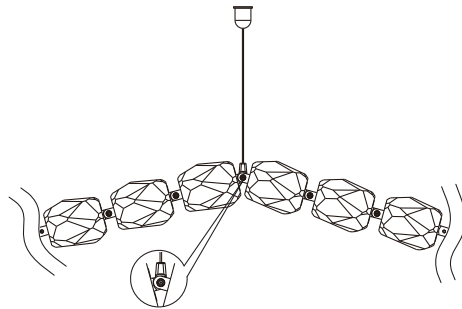
# OPTIONAL STEPS FOR HANGER INSTALLATION



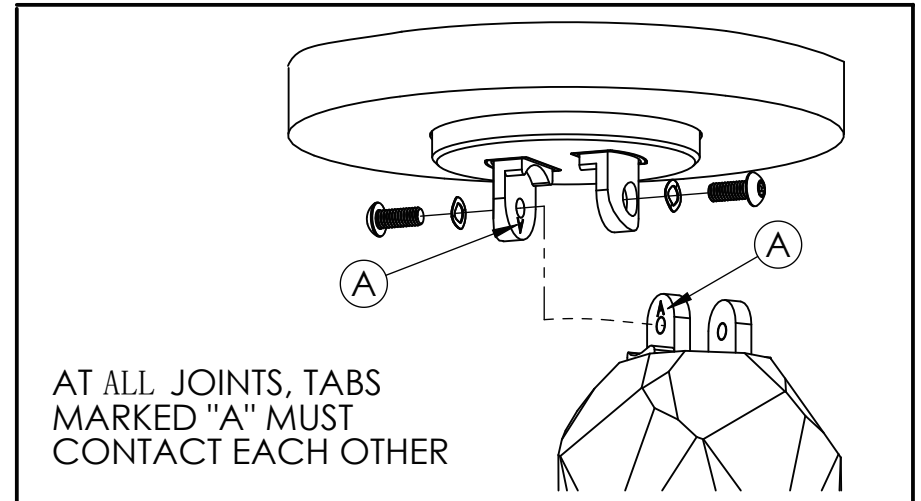
REMOVE SCREWS FROM CENTER CONNECTION OF YELLOW TAGGED SECTION OF LIGHTS

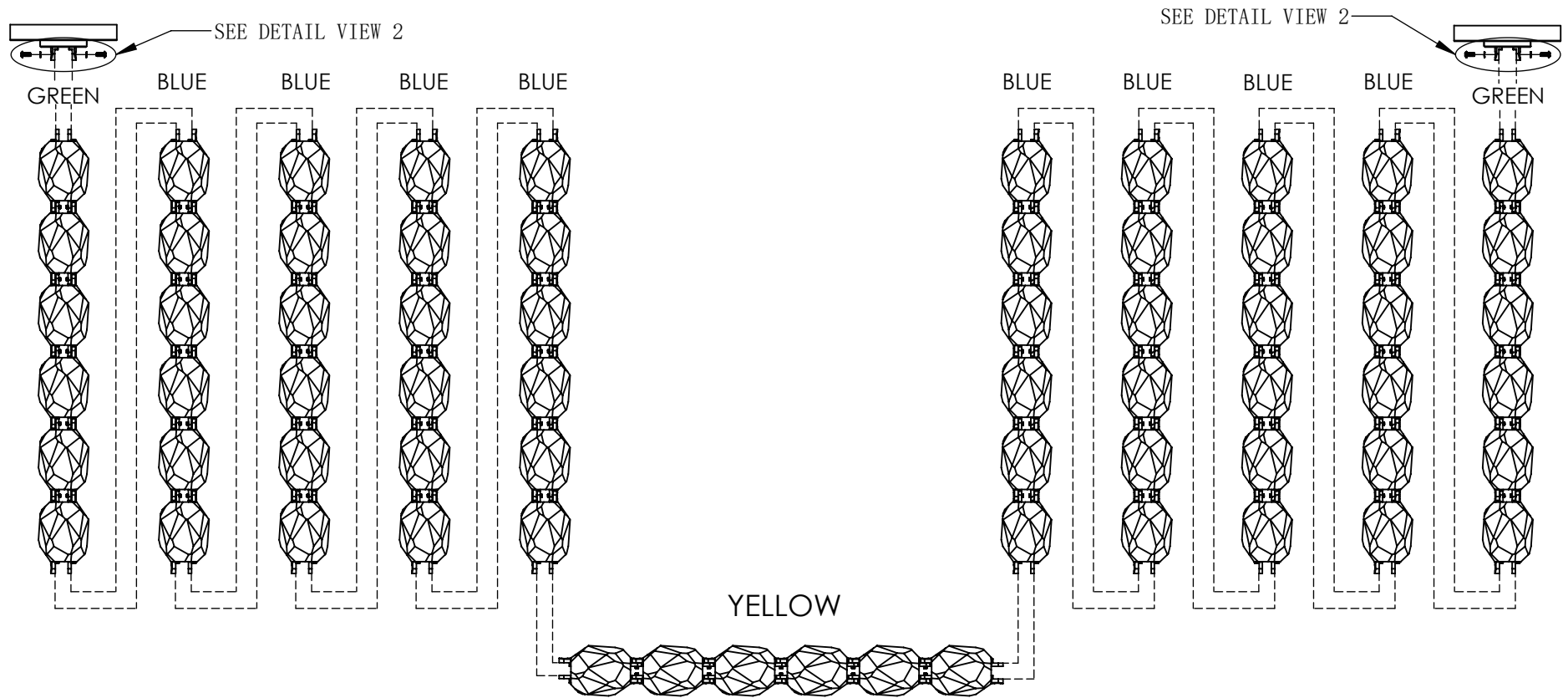


**Special Attention:** During installation, 12mm hex socket post screws should be used to avoid danger



## DETAIL VIEW 2





- EACH SECTION OF LIGHTS IS IDENTIFIED BY COLORED STRAPS. REMOVE STRAPS BEFORE INSTALLING EACH SECTION.
- ALWAYS CONNECT 'TOP' OF EACH LIGHT SECTION (END WITH COLORED STRAP ) TO END OF PREVIOUS SECTION. EXCEPTION IS THE CENTER YELLOW SECTION, WHICH IS REVERSIBLE
- CONNECT SECTIONS AS SHOWN IN THE FIGURE ABOVE. FIRST, CONNECT GREEN SECTIONS AS SHOWN, THEN CONNECT BLUE SECTIONS. AT THE END, JOIN HANGING STRINGS TOGETHER WITH YELLOW SECTION AS SHOWN.
- FULLY ASSEMBLE FIXTURE BEFORE TURNING ON POWER. TO ADJUST 3CCT SETTING, TURN OFF BEFORE ADJUSTING SWITCH.

NOTE: AT ALL JOINTS, TABS MARKED 'A' MUST CONTACT EACH OTHER

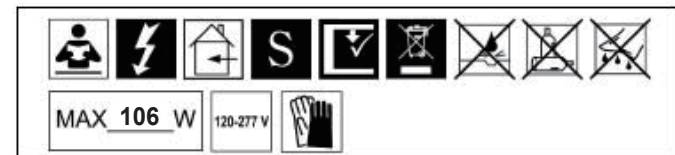
FOREVER  
SCHONBEK

SEDUCTION  
SJ4366IC



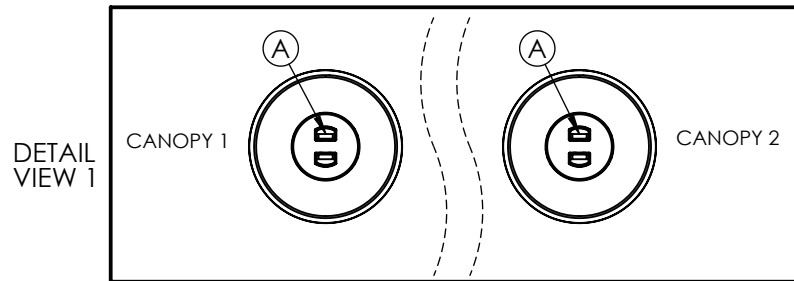
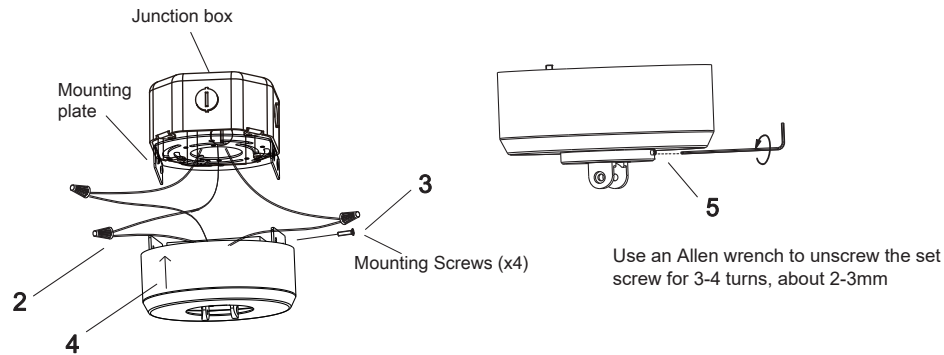
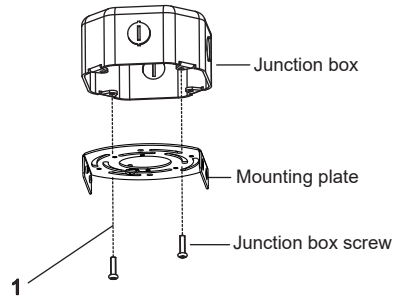
THIS DESIGN IS THE PROPRIETARY  
TRADE DRESS/TRADEMARK OF  
W SCHONBEK LLC.

FOREVER  
SCHONBEK



All electrical components must be installed by a licensed electrician in accordance with the National Electric Code and the appropriate local electrical codes.

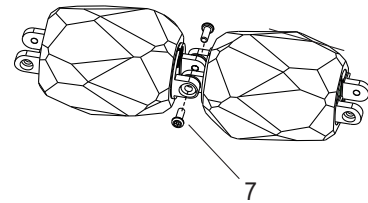
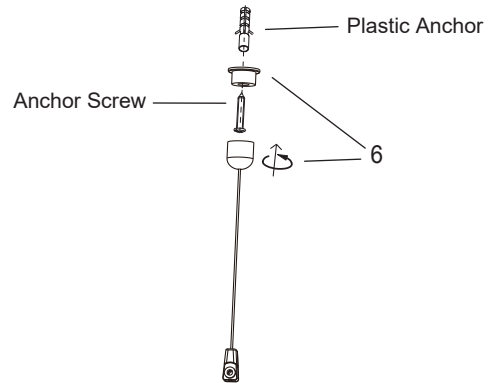
Fixture must be assembled per the provided instructions. Altering number of crystal modules may cause product failure and will void warranty.



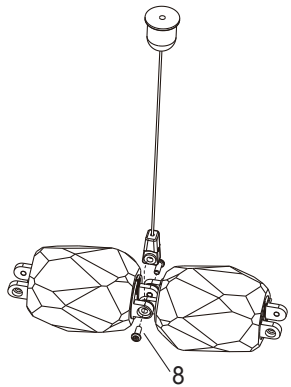
REPEAT STEPS 1-4 FOR BOTH CANOPIES. ORIENTATION MUST BE AS SHOWN IN DETAIL VIEW 1. TABS MARKED WITH A MUST BE IN LINE ON BOTH CANOPIES



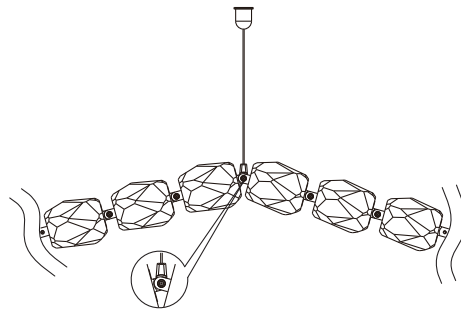
## OPTIONAL STEPS FOR HANGER INSTALLATION



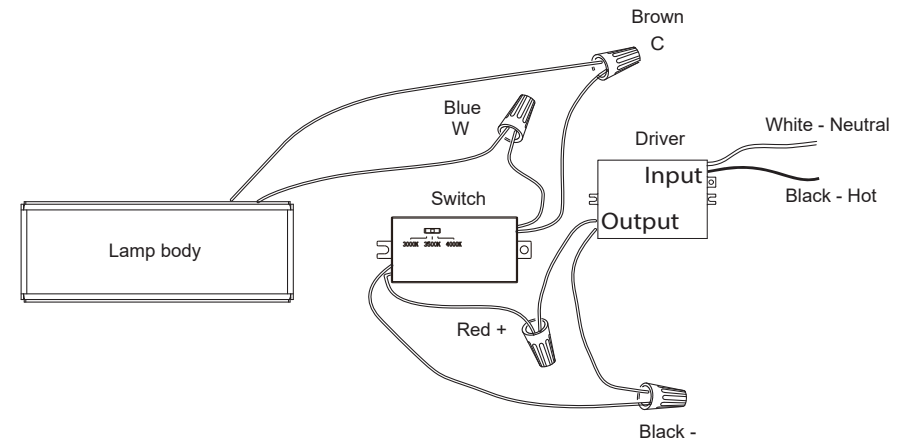
REMOVE SCREWS FROM CENTER CONNECTION OF YELLOW TAGGED SECTION OF LIGHTS



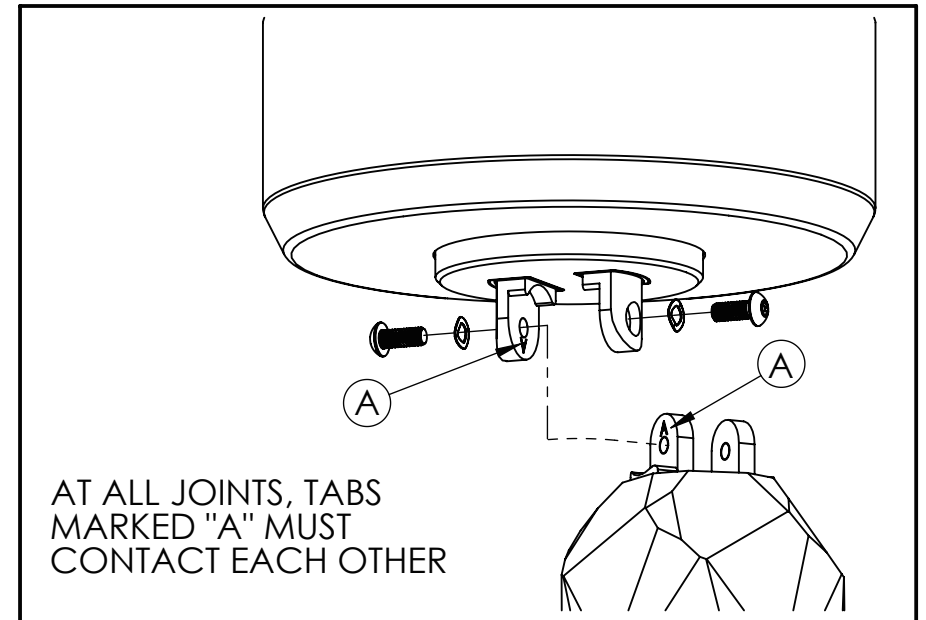
**Special Attention:** During installation, 12mm hex socket post screws should be used to avoid danger

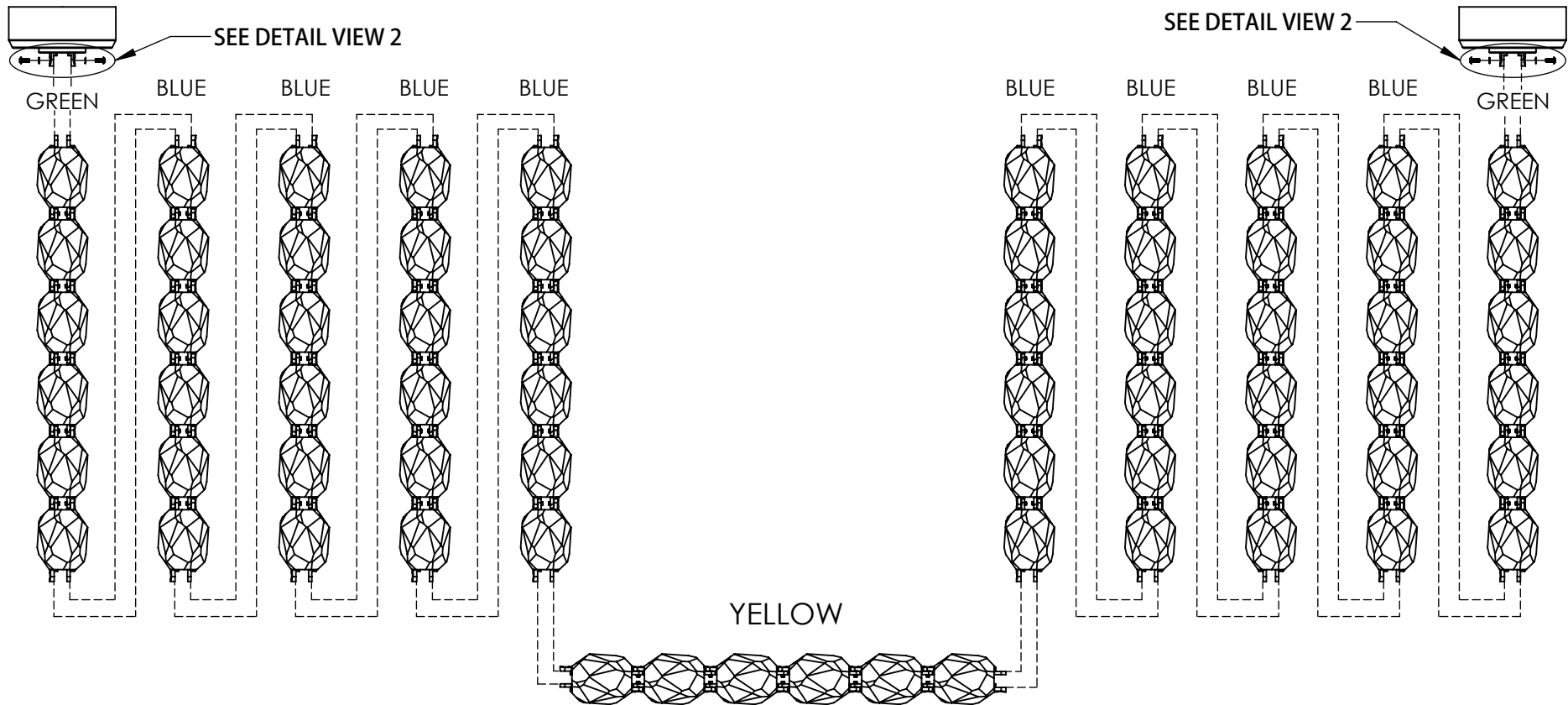


Consists of step 6, 7, and 8



## DETAIL VIEW 2





- EACH SECTION OF LIGHTS IS IDENTIFIED BY COLORED STRAPS. REMOVE STRAPS BEFORE INSTALLING EACH SECTION.
- ALWAYS CONNECT 'TOP' OF EACH LIGHT SECTION (END WITH COLORED STRAP ) TO END OF PREVIOUS SECTION. EXCEPTION IS THE CENTER YELLOW SECTION, WHICH IS REVERSIBLE
- CONNECT SECTIONS AS SHOWN IN THE FIGURE ABOVE. FIRST, CONNECT GREEN SECTIONS AS SHOWN, THEN CONNECT BLUE SECTIONS. AT THE END, JOIN HANGING STRINGS TOGETHER WITH YELLOW SECTION AS SHOWN.
- FULLY ASSEMBLE FIXTURE BEFORE TURNING ON POWER. TO ADJUST 3CCT SETTING, TURN OFF BEFORE ADJUSTING SWITCH.

**NOTE: AT ALL JOINTS, TABS MARKED 'A' MUST CONTACT EACH OTHER**