

FOREVER
SCHONBEK

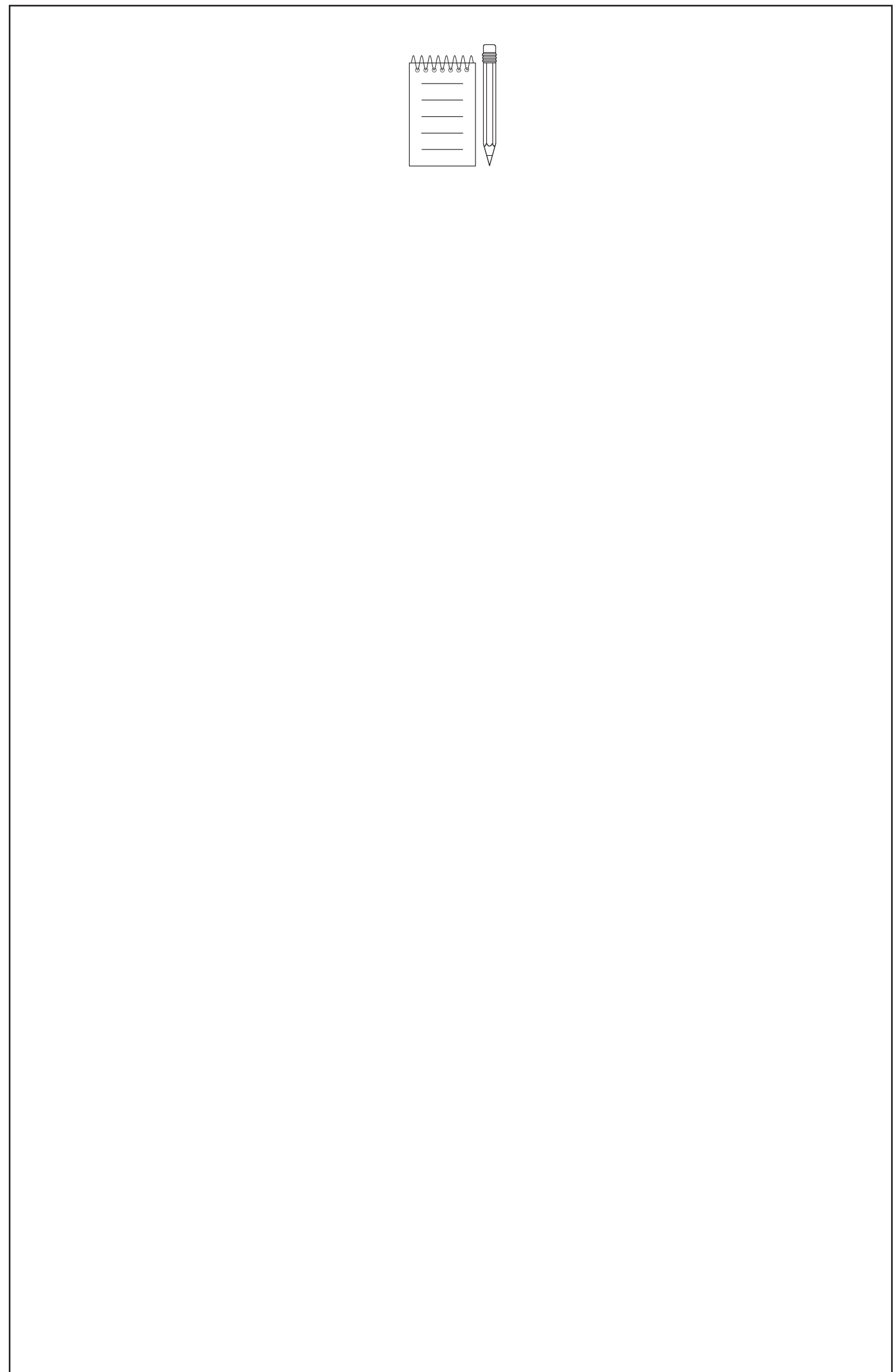
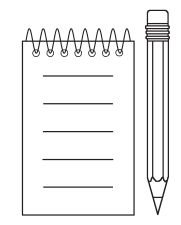
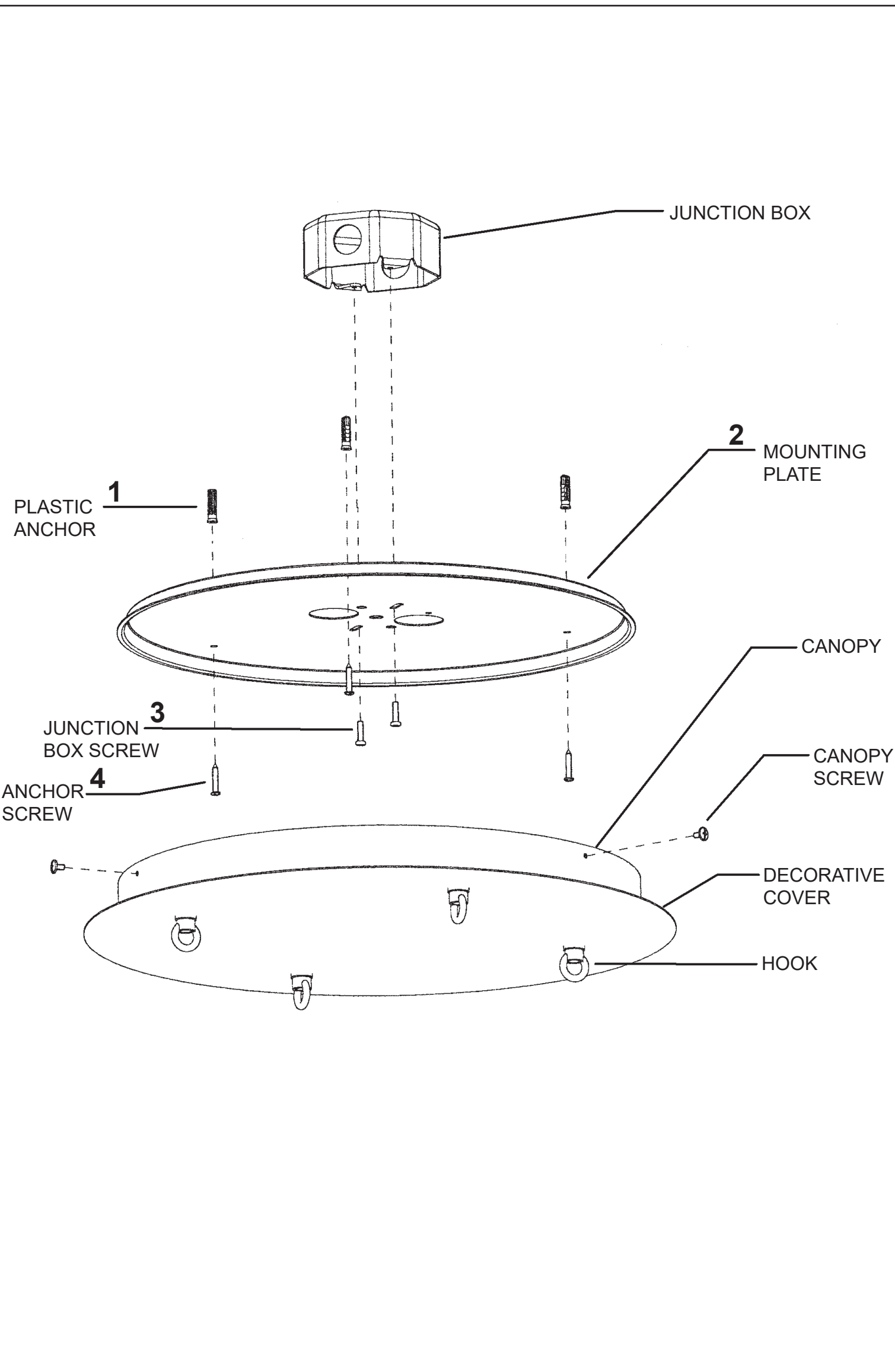
Revere SJ7904- __ __ R



THIS DESIGN IS THE PROPRIETARY
TRADE DRESS/TRADemark OF
W SCHONBEK LLC.

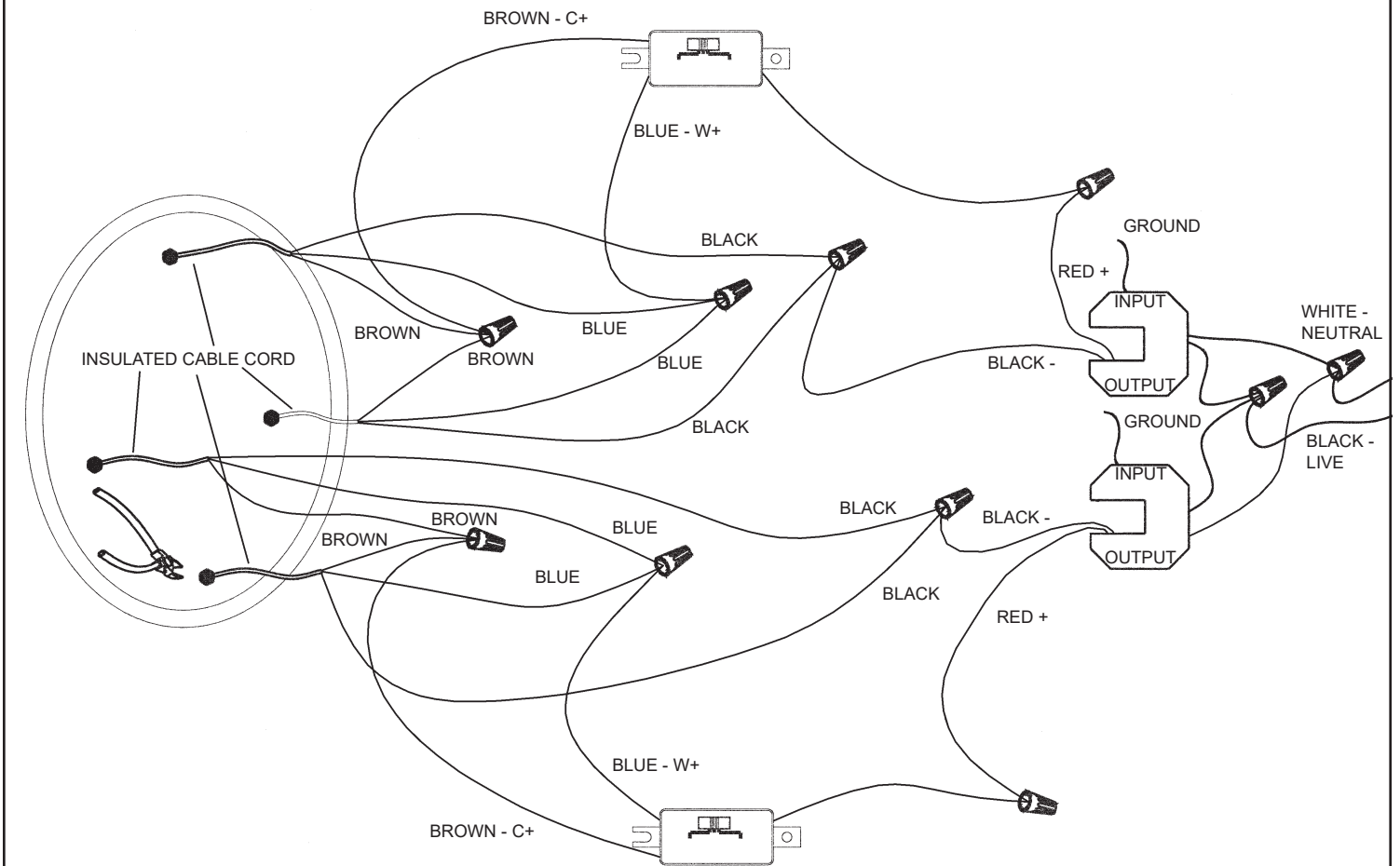
FOREVER
SCHONBEK

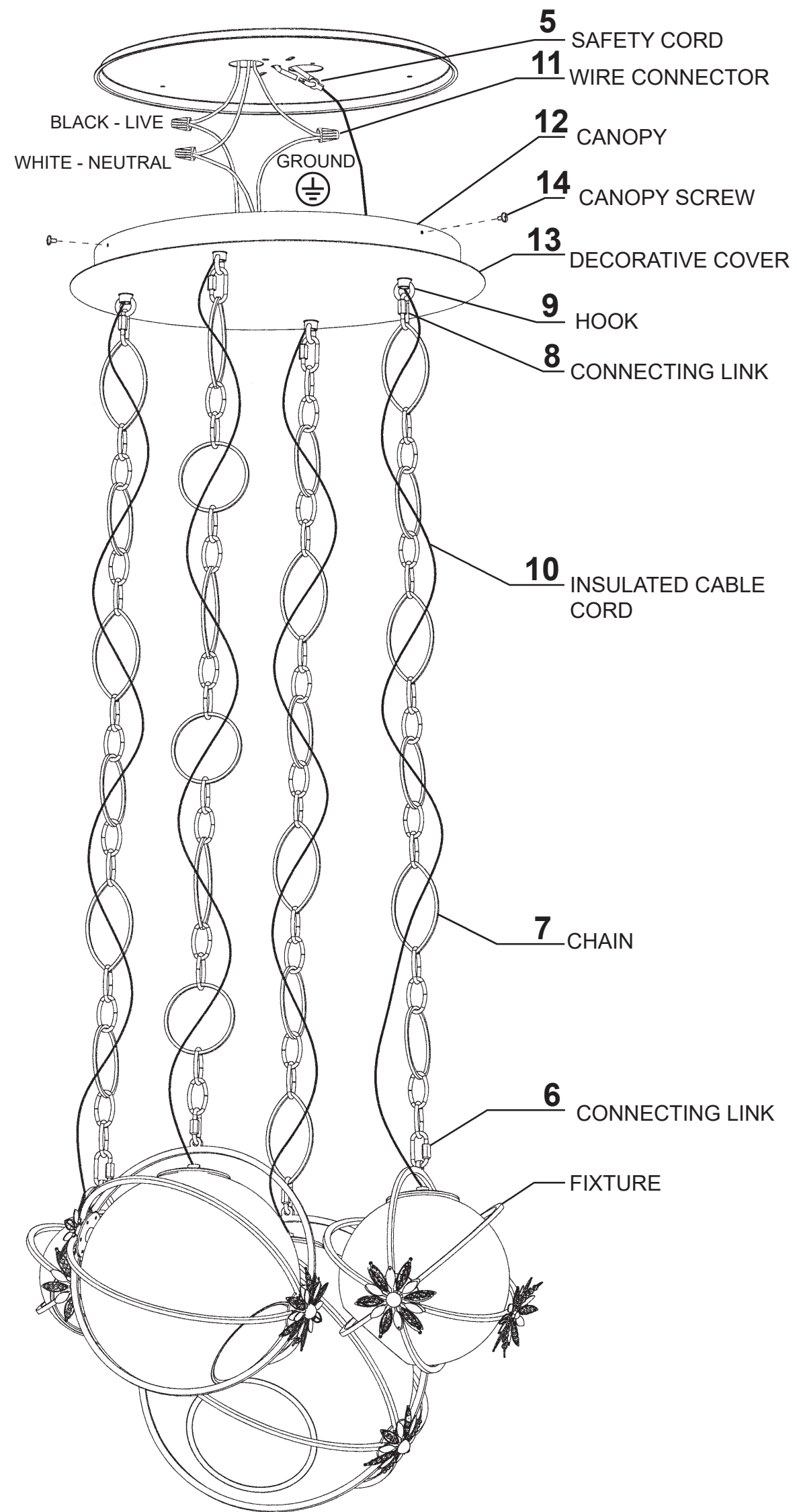
MAX 19 W	120-277 V							





- 41**
NR22798
- 40**
NR22797
- 39**
NR22796





**11" FIXTURE TRIM
(QTY. 1)**

CONTINUED ON PAGES
9 AND 10



**5" FIXTURE TRIM
(QTY. 1)**



7" FIXTURE TRIM
(QTY. 1)



9" FIXTURE TRIM
(QTY. 1)

