

FOREVER
SCHONBEK

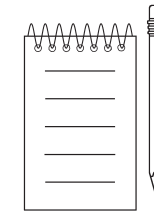
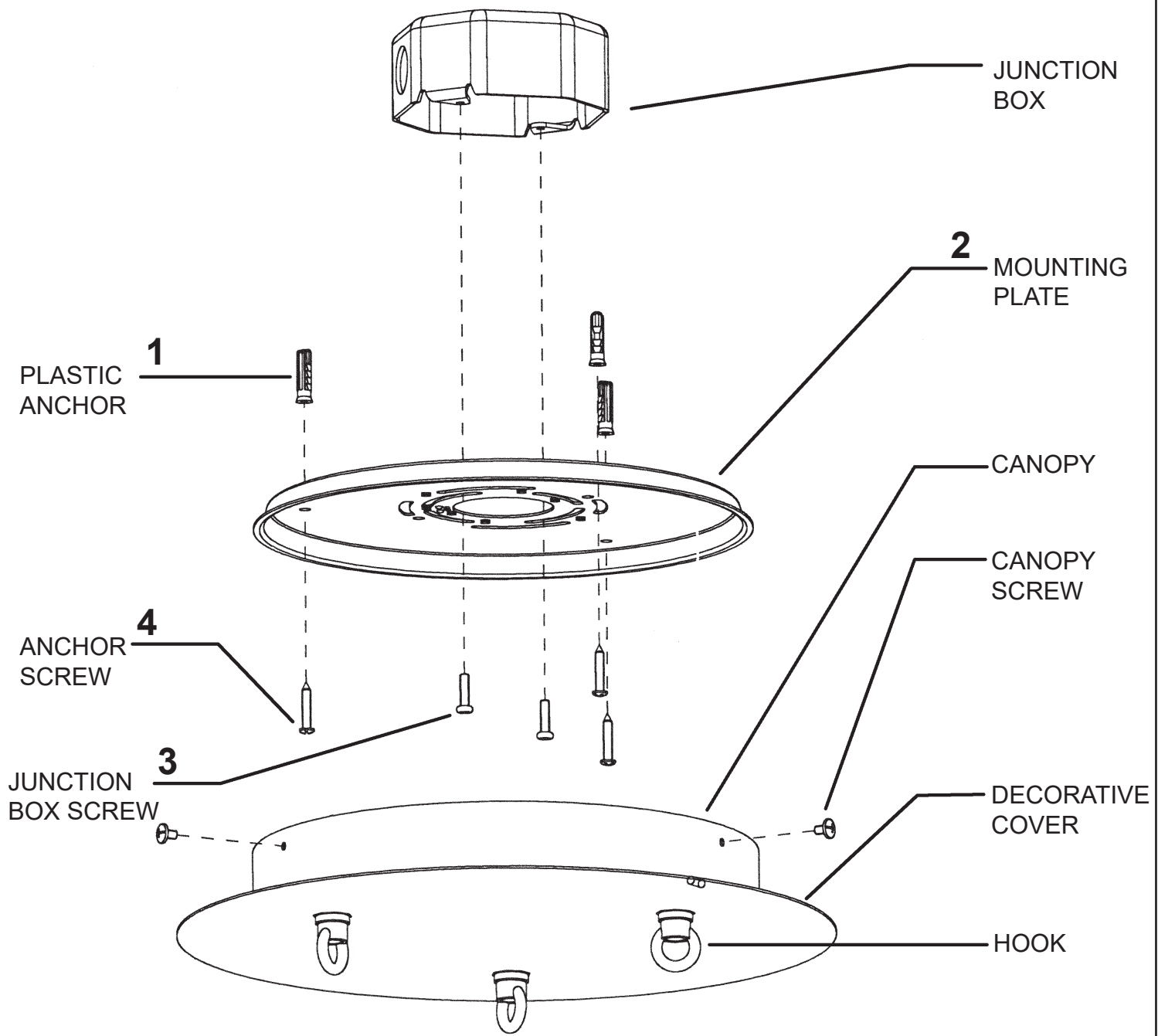
Revere
SJ7903- __ __ R



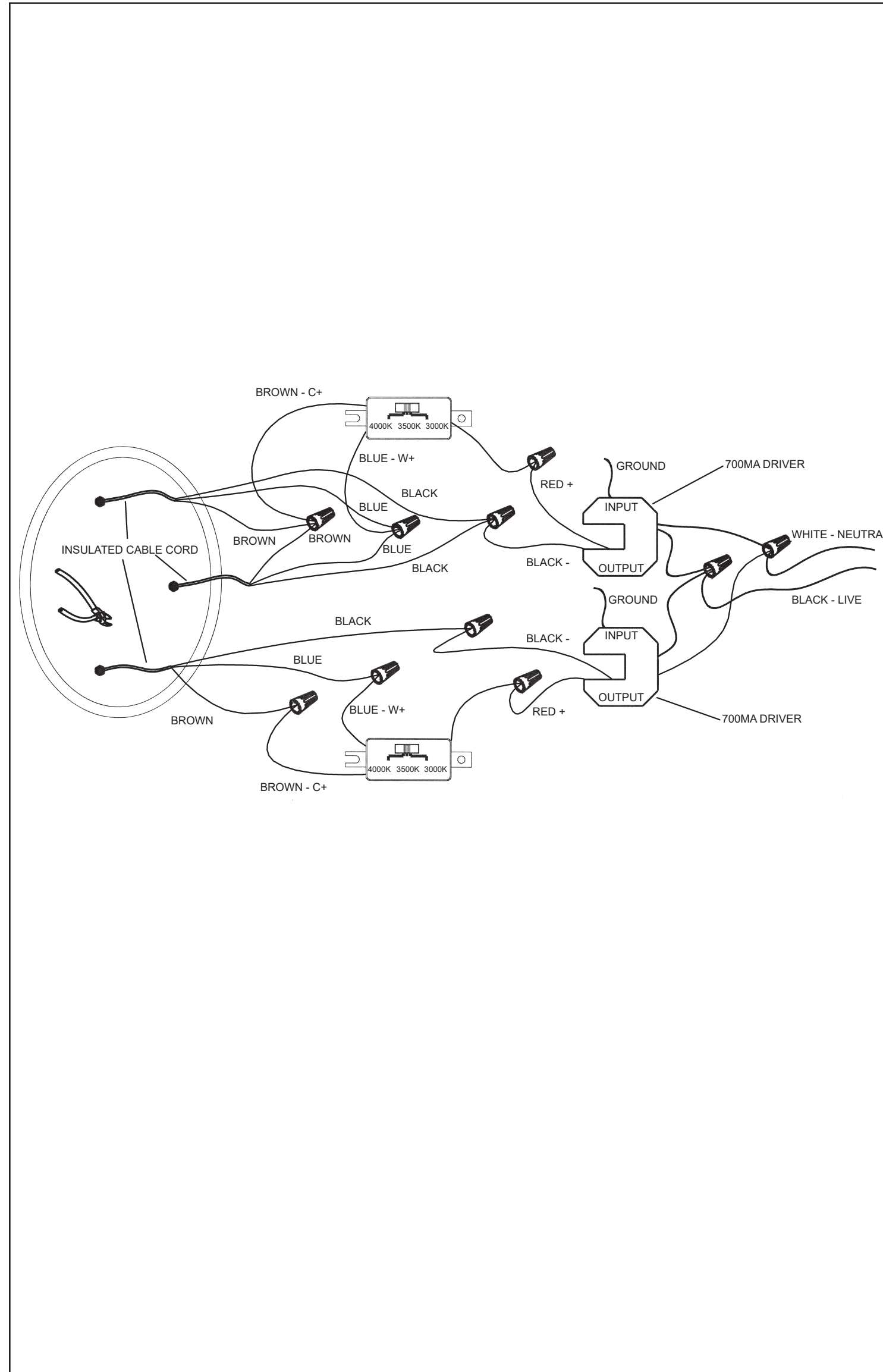
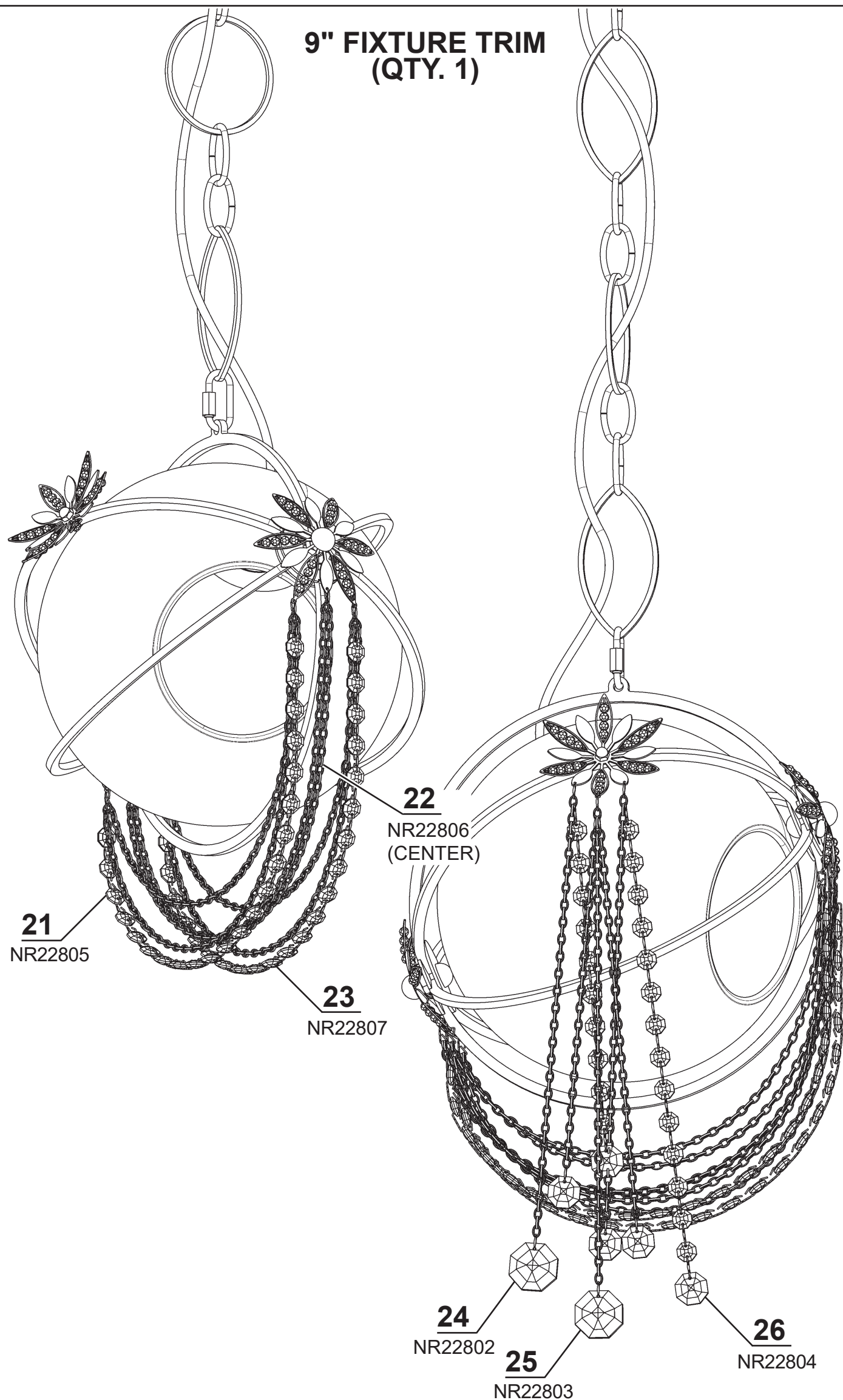
THIS DESIGN IS THE PROPRIETARY TRADE DRESS/TRADemark OF W SCHONBEK LLC.

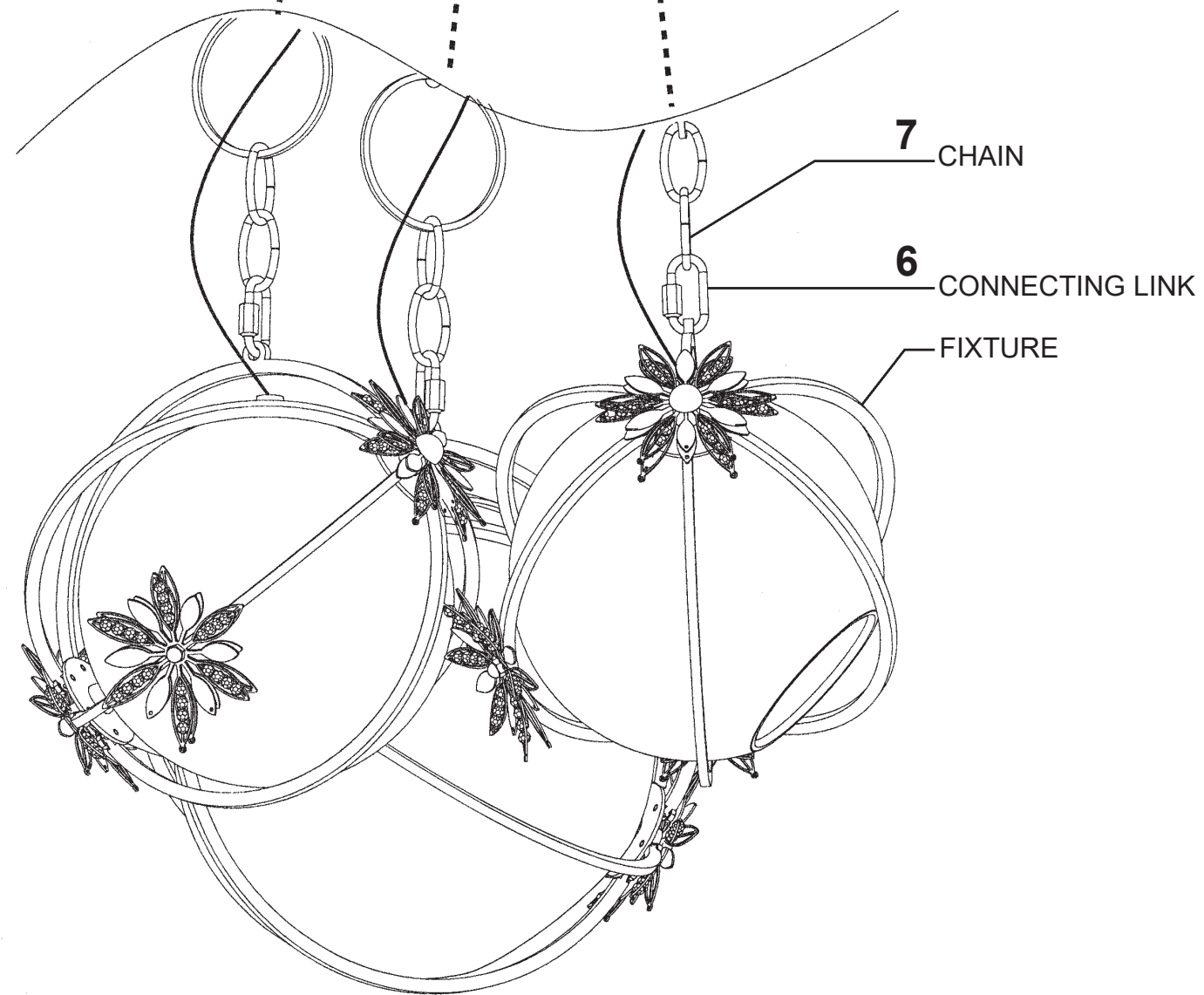
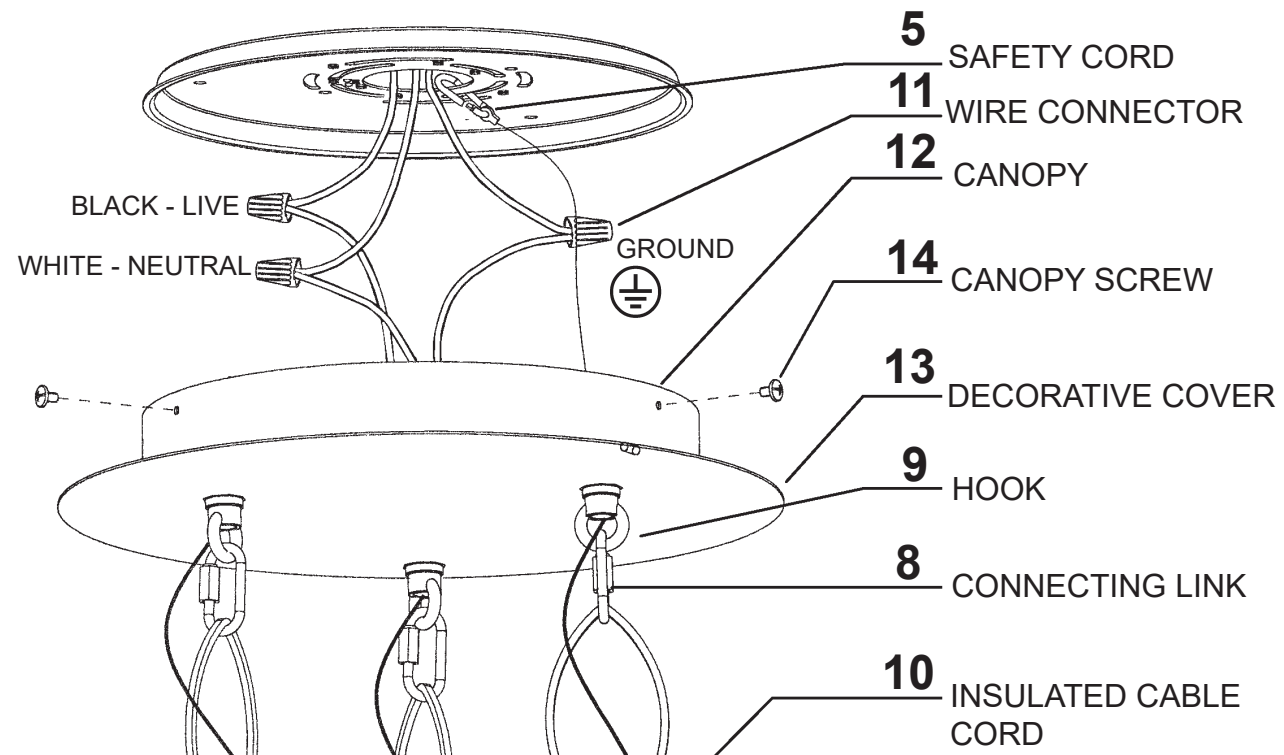
FOREVER
SCHONBEK

MAX 14 W	120-277 V							



**9" FIXTURE TRIM
(QTY. 1)**





**7" FIXTURE TRIM
(QTY. 2)**

