

MARTINI

BPD20203



Project:

Location:

Fixture Type:

Catalog Number:

AVAILABLE TRIM



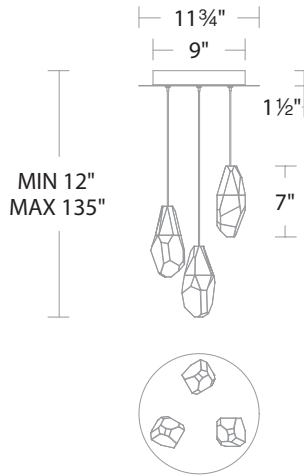
O: Optic Crystal OH: Optic Haze

AVAILABLE FINISHES



AB: Aged Brass BK: Black PN: Polished Nickel

LINE DRAWING



DESCRIPTION

A shower of jewels. Suspended in mid-air, Schonbek optic or optic haze crystal elements composed of natural quartz gemstone illuminate at varying heights to entice. Cascading from above and perfectly designed for over breakfast tables or nightstands in a bedroom to make a powerful yet elegant statement. Finished in aged brass, black and polished nickel.

FEATURES

- Crystal Haze is thoughtfully engineered from quartz rock crystal with tracers of natural elements found on Earth. Each organic element illuminates beautifully to entice and radiate with its natural and unique, inherent variations in luster, hue, patterning and texture.
- Built-in color temperature adjustability switch from 3000K/3500K/4000K at time of installation
- Thin powered aircraft cables provide an ultra clean look for adjustable suspension height
- Thin canopy conceals a proprietary universal 120V-220V-277V driver
- Decorative diamond texture diffuser is included to be installed to customer preference

REPLACEMENT PARTS

- RPL-GLA-20207O - Optic Crystal
- RPL-GLA-20207OH - Optic Haze

SPECIFICATIONS

CRI	90
Dimming	ELV, 0-10V, TRIAC
Standards	ETL/cETL, Damp, Title 24

Model	Size	LED Color Temp	Trim Option	Finish	Voltage	Wattage	Weight	LED Lumens	Delivered Lumens
BPD20203	3 lights	3000K/3500K/4000K	O Optic Crystal OH Optic Haze	AB Aged Brass BK Black PN Polished Nickel	120-277V	22W	12 lb	1817	UP TO 1369

Example: BPD20203OH-AB