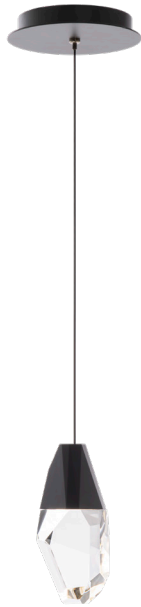


MARTINI

BPD20207



Project:

Location:

Fixture Type:

Catalog Number:

AVAILABLE TRIM



O: Optic Crystal



OH: Optic Haze

AVAILABLE FINISHES



AB: Aged Brass

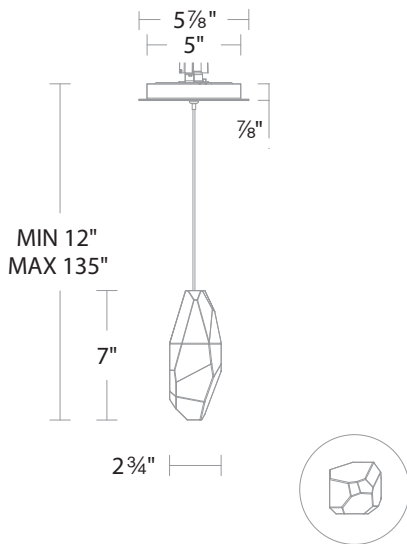


BK: Black



PN: Polished Nickel

LINE DRAWING



DESCRIPTION

Suspended in mid-air, a jewel of Schonbek optic or optic haze crystal composed of natural quartz gemstone illuminates to entice. The chiseled metal fitting is congruent with the faceted crystal to confer elegance in design continuity.

FEATURES

- Crystal Haze is thoughtfully engineered from quartz rock crystal with tracers of natural elements found on Earth. Each organic element illuminates beautifully to entice and radiate with its natural and unique, inherent variations in luster, hue, patterning and texture.
- Color temperature adjustability switch from 3000K/3500K/4000K at time of installation mounted at the back of the mounting plate to be installed within the junction box.
- Thin powered aircraft cables provide an ultra clean look for adjustable suspension height
- Thin canopy conceals a proprietary 120/277V driver
- Spin-on round canopy with minimal hardware
- Optional decorative diamond texture diffuser is included to be installed to customer preference
- Can be mounted on a sloped ceiling

REPLACEMENT PARTS

- RPL-GLA-20207O - Optic Crystal
- RPL-GLA-20207OH - Optic Haze

SPECIFICATIONS

CRI	90
Dimming	ELV, TRIAC
Standards	ETL/cETL, Damp, Title 24

Model	Size	LED Color Temp	Trim Option	Finish	Voltage	Wattage	Weight	LED Lumens	Delivered Lumens
BPD20207	1 light	3000K/3500K/4000K	O Optic Crystal OH Optic Haze	AB Aged Brass BK Black PN Polished Nickel	120/277V	8W	2 lb	657	UP TO 506

Example: BPD20207OH-BK