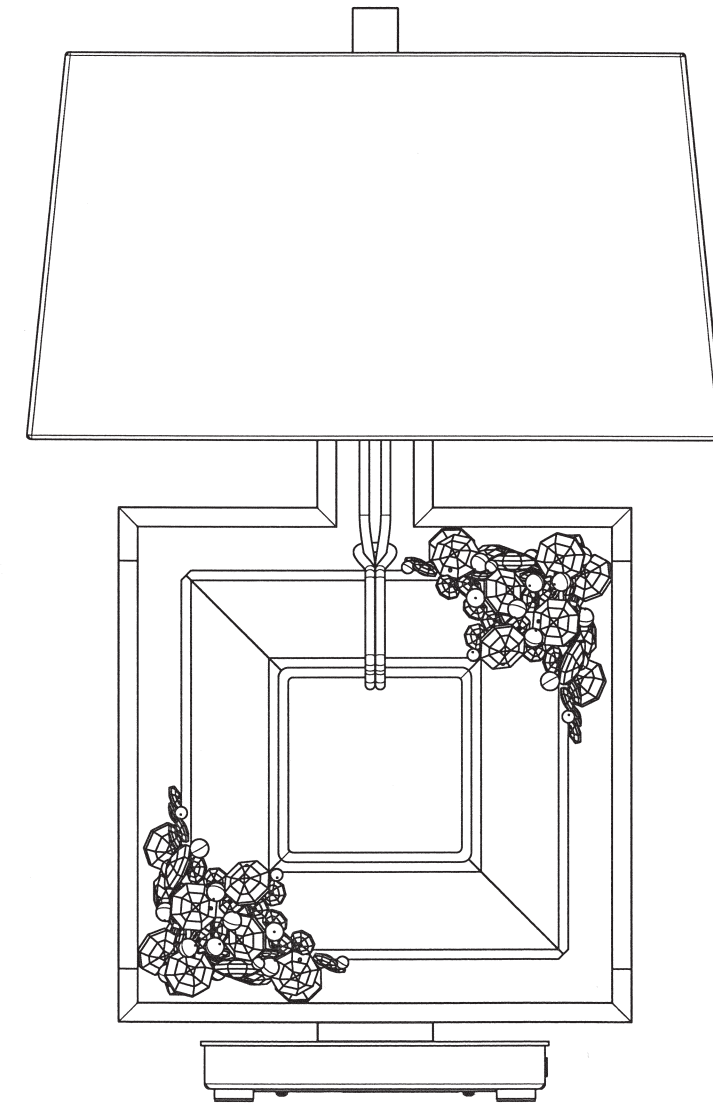


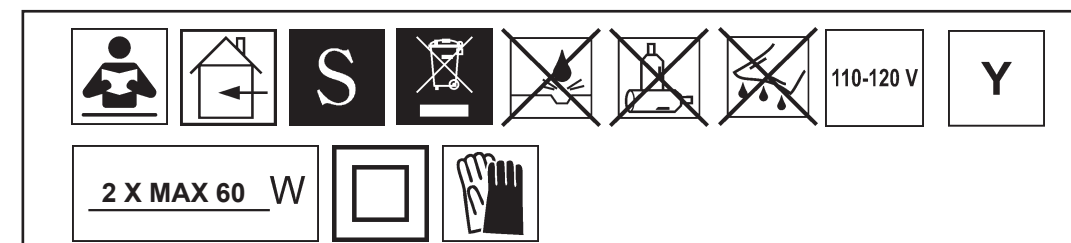
FOREVER  
SCHONBEK

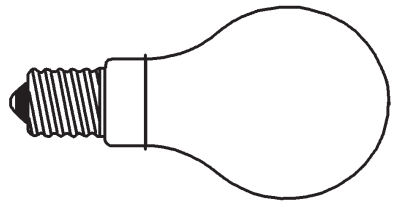
EVA SJ2330-\_\_\_\_\_R



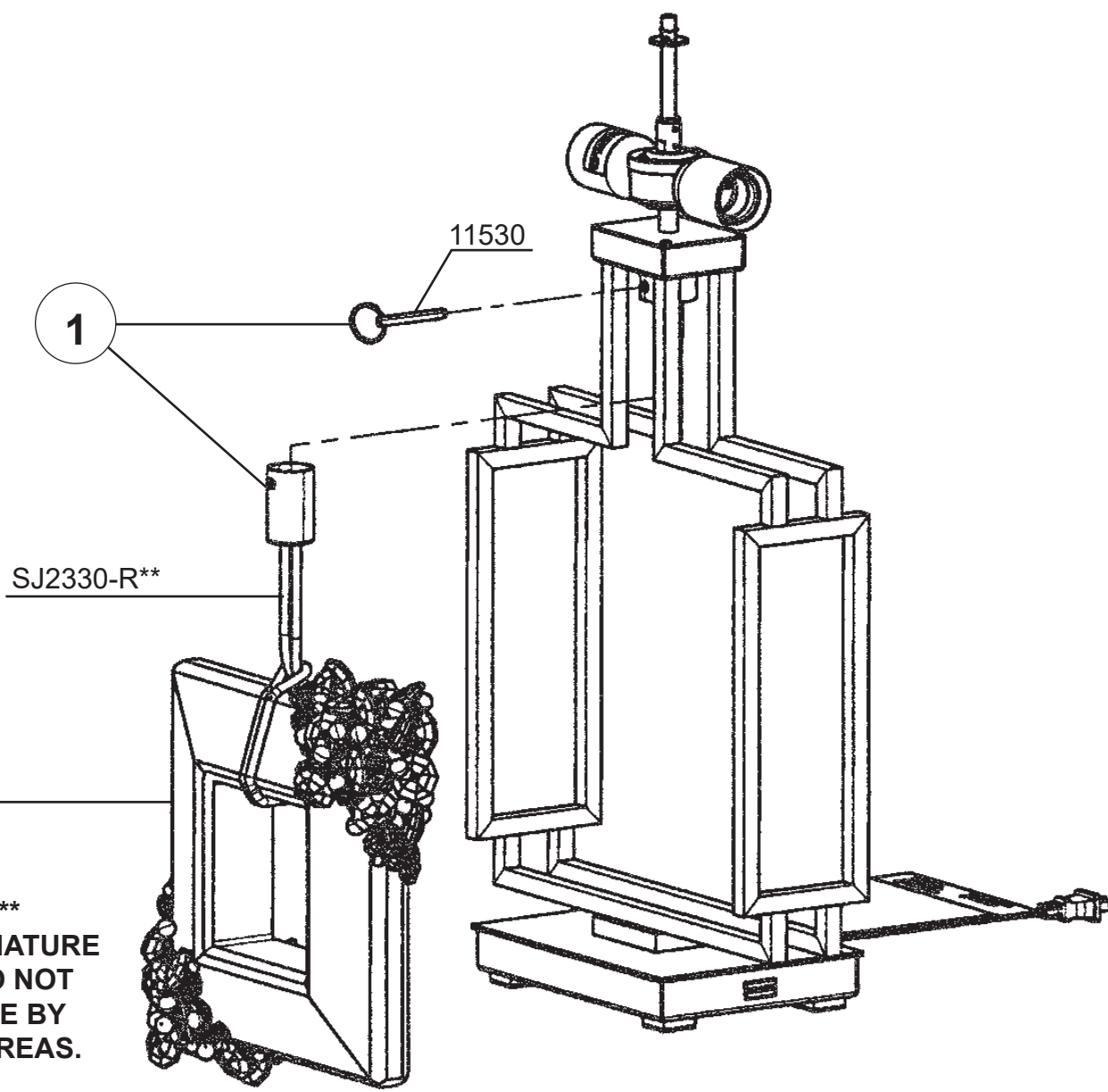
THIS DESIGN IS THE PROPRIETARY  
TRADE DRESS/TRADEMARK OF  
W SCHONBEK LLC.

FOREVER  
SCHONBEK





You will need 2 - A19, E26 Base (supplied)  
60 Watts Max



**\*\*ATTENTION\*\***  
DUE TO FRAGILE NATURE  
OF PRODUCT, DO NOT  
HANDLE FIXTURE BY  
CRYSTALLIZED AREAS.

