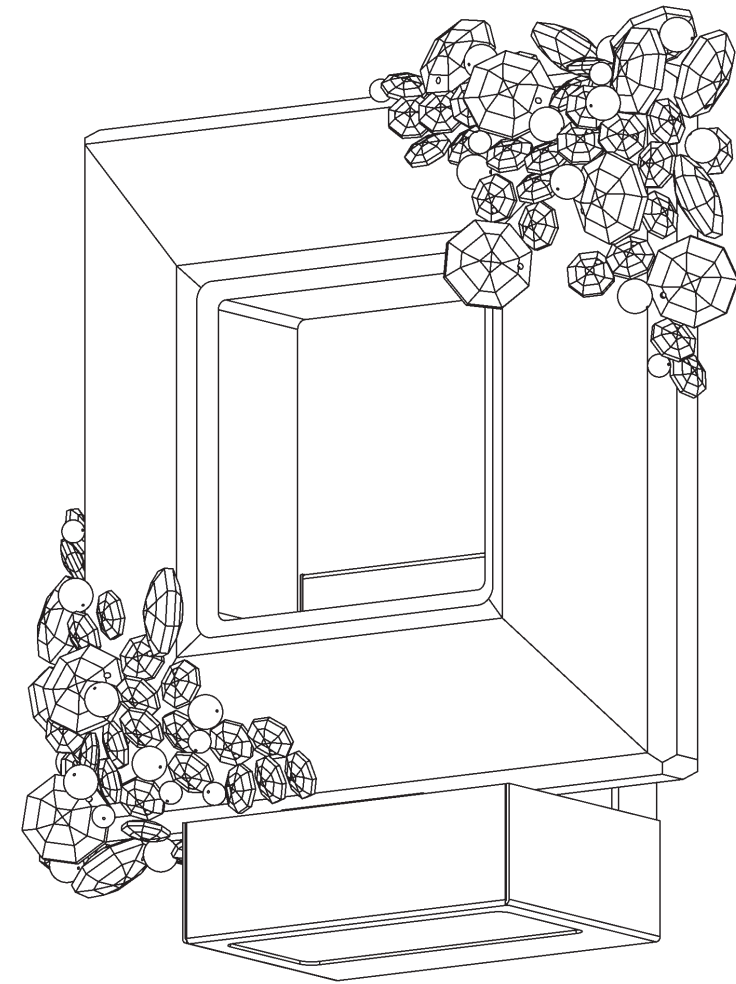


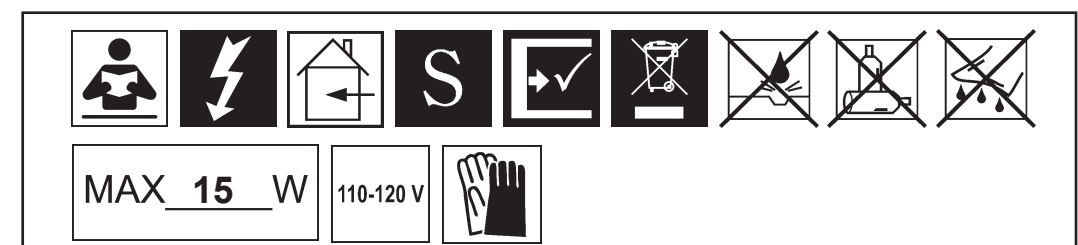
FOREVER
SCHONBEK

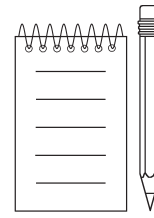
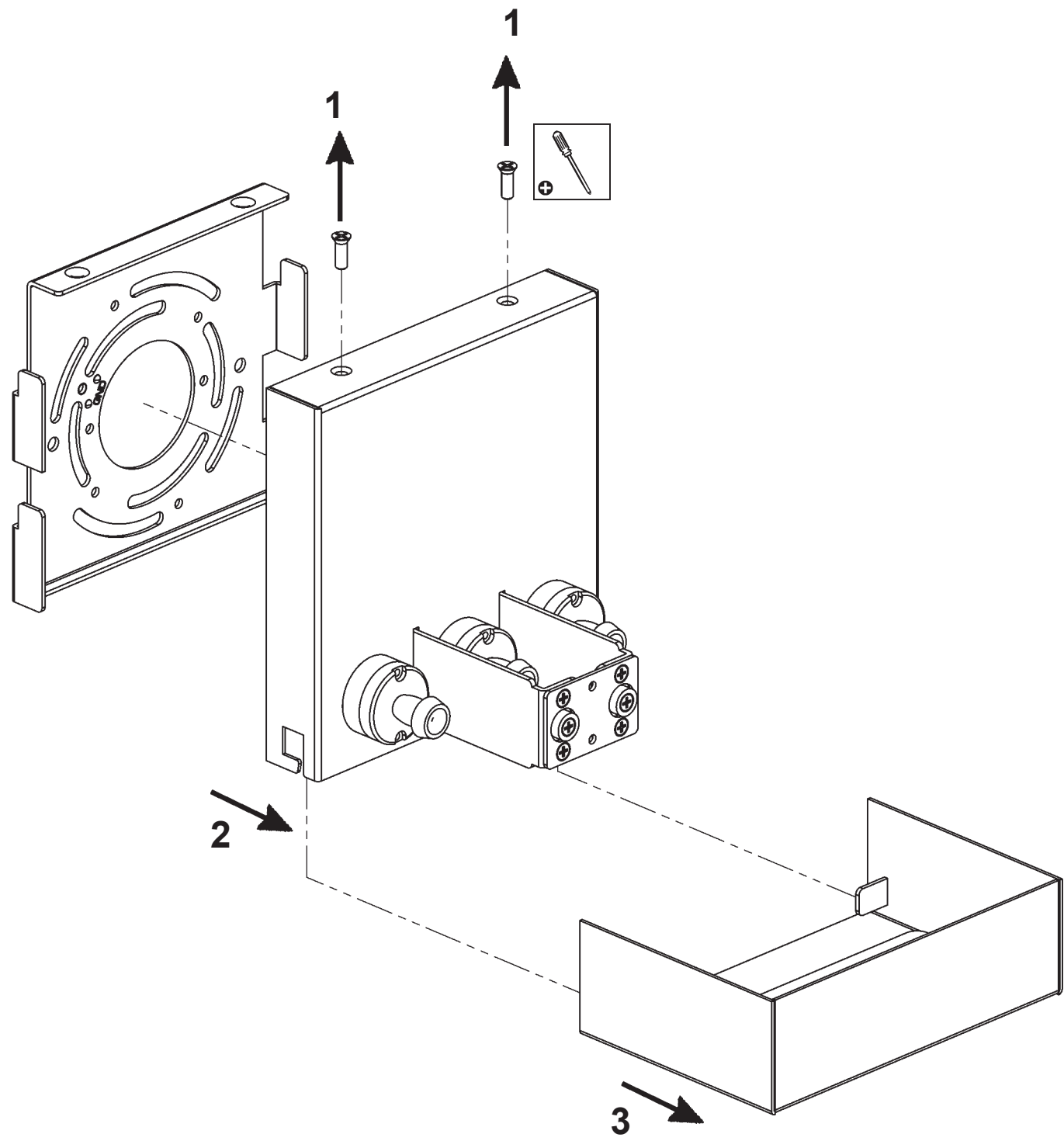
EVA SJ2320-_____R

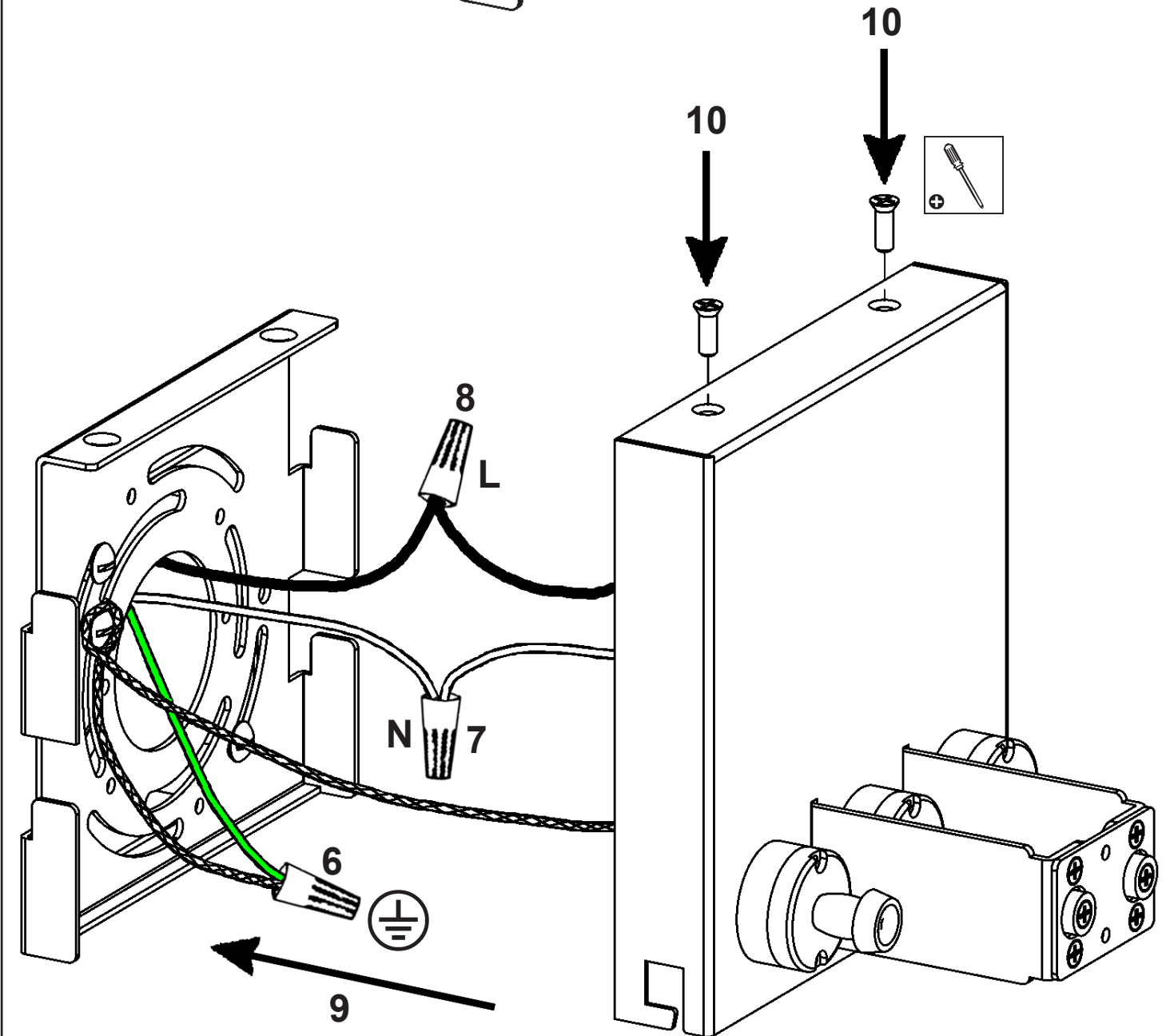
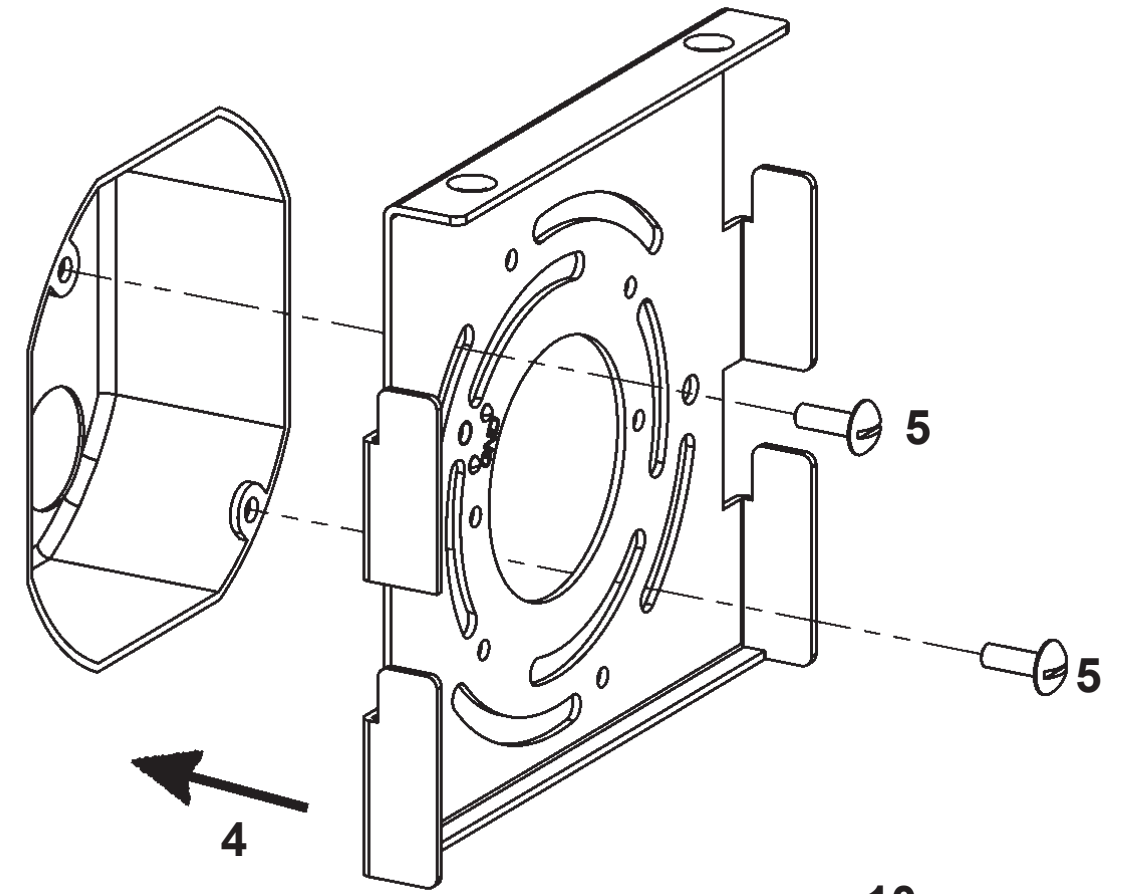
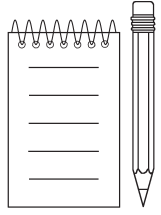


THIS DESIGN IS THE PROPRIETARY
TRADE DRESS/TRADemark OF
W SCHONBEK LLC.

FOREVER
SCHONBEK







****ATTENTION**
DUE TO FRAGILE NATURE
OF PRODUCT, DO NOT
HANDLE FIXTURE BY
CRYSTALLIZED AREAS.**

