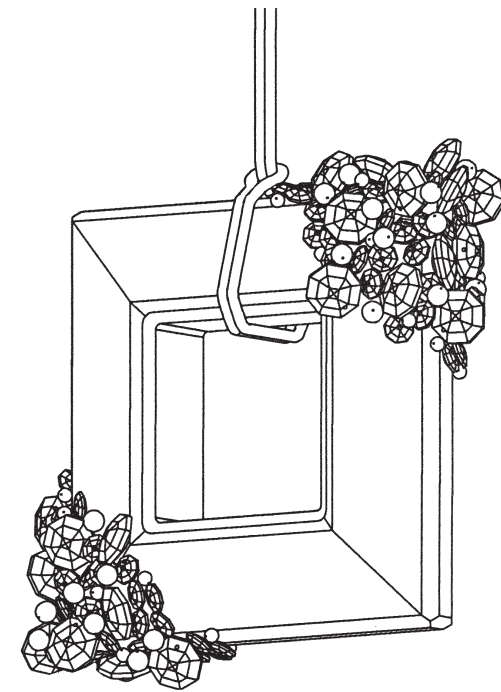












FOREVER  
SCHONBEK

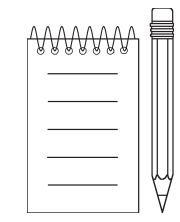
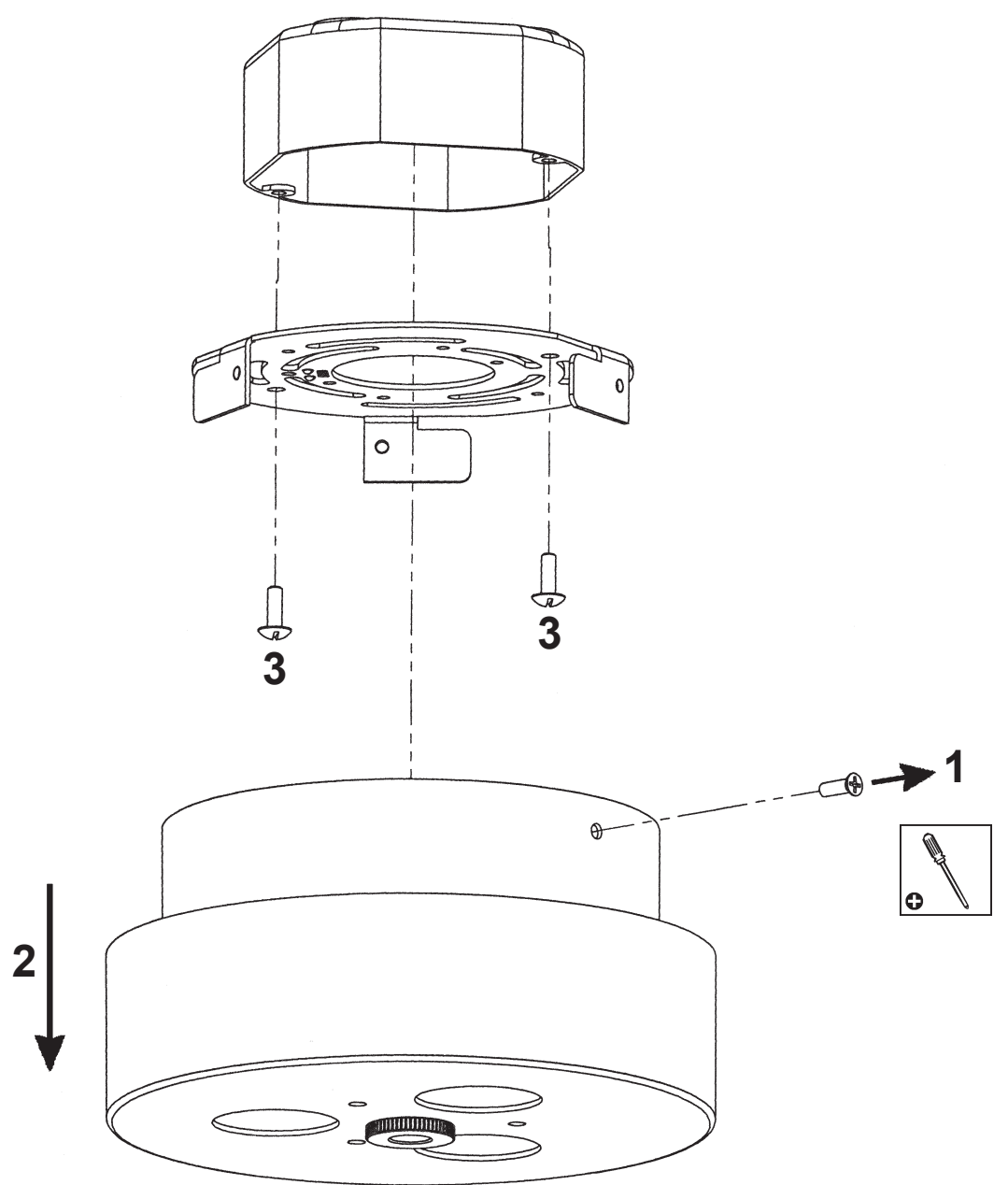
EVA  
SJ2310-\_\_\_\_\_R



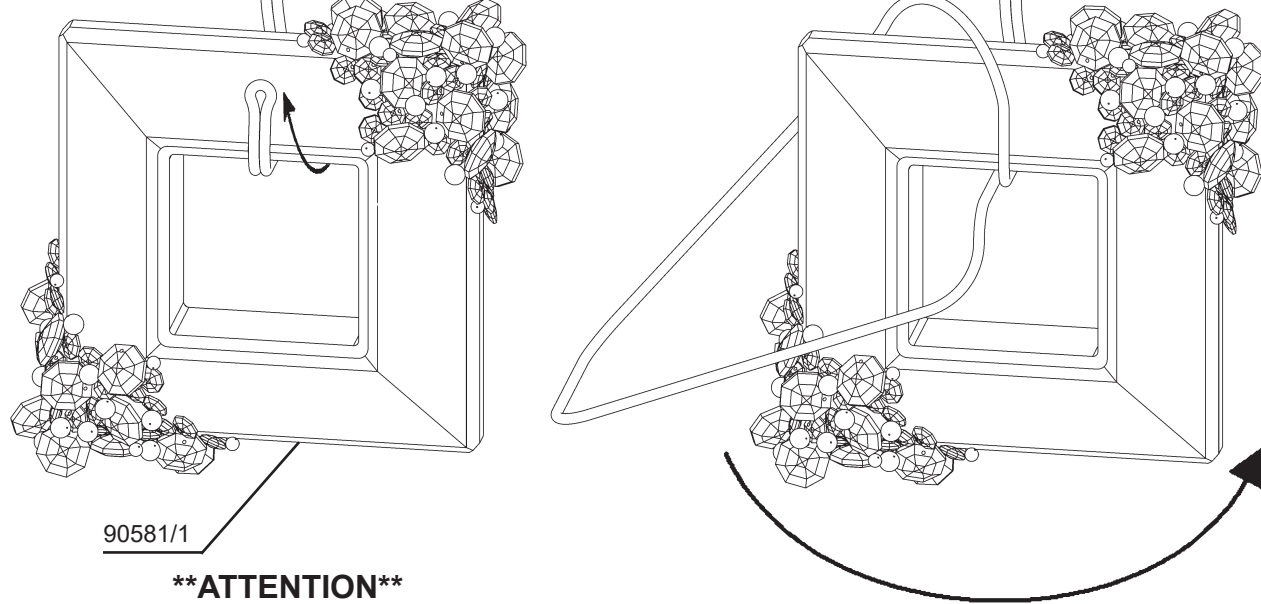
THIS DESIGN IS THE PROPRIETARY  
TRADE DRESS/TRADEMARK OF  
W SCHONBEK LLC.

FOREVER  
SCHONBEK

								
MAX 38 W	110-120 V							



**12** POSITION ROPE THROUGH CENTER OF GLASS PENDANT.

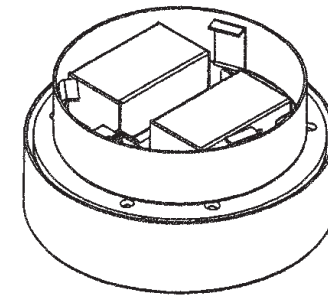
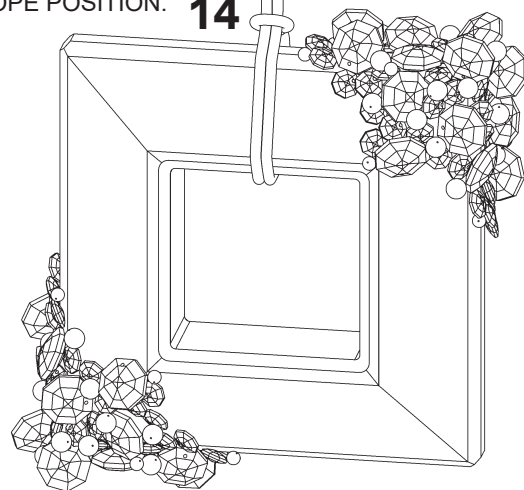


90581/1

**\*\*ATTENTION\*\***  
DUE TO FRAGILE NATURE  
OF PRODUCT, DO NOT  
HANDLE FIXTURE BY  
CRYSTALLIZED AREAS.

**13**  
MAKE LOOP, AS SHOWN,  
AND PASS AROUND  
OUTSIDE OF GLASS  
PENDANT.

FINAL ROPE POSITION. **14**

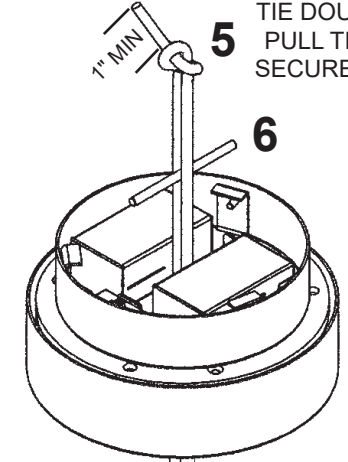


**4**

RPL-S23-\*\*\*

**\*\*IMPORTANT NOTE\*\***  
TIE DOUBLE KNOT.  
PULL TIGHTLY TO  
SECURE IN PLACE.

**5**



1" MIN

**\*\*IMPORTANT NOTE\*\***  
ROPE MAY STRETCH  
SEVERAL INCHES  
DURING THE FIRST  
MONTH OF PRODUCT  
INSTALLATION. PLEASE  
KEEP IN MIND WHEN  
SETTING ROPE LENGTH.

**6**

