

ASSEMBLY & INSTALLATION INSTRUCTIONS



Fixture
BPD74232

Fig. 2 Wiring

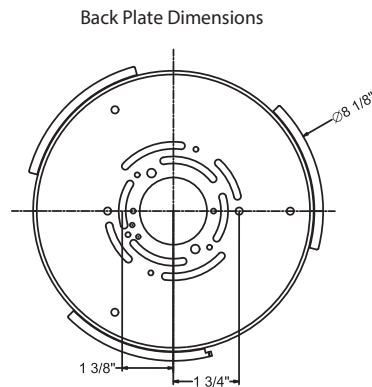
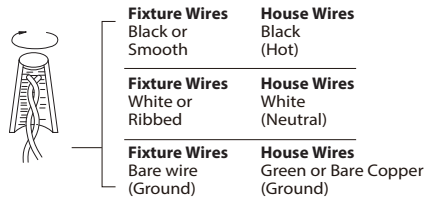


Fig. 3 Switch

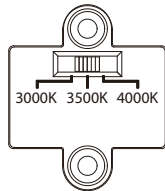
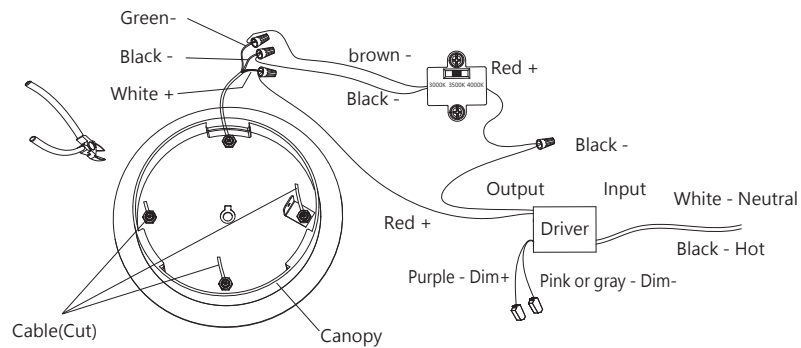


Fig. 4



Schonbek, 61 Industrial Blvd, Plattsburg, New York, 12901
 Phone: 1-800-836-1892 | Fax: 518-563-4228 |
www.schonbek.com

HARDWARE

A



Wire Connector
Qty: 3PCS+1 Extra

B



Mounting screw
Qty: 3PCS+1 Extra

C



Wood screw
Qty: 3PCS+1 Extra

D

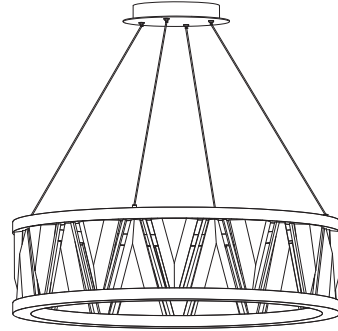
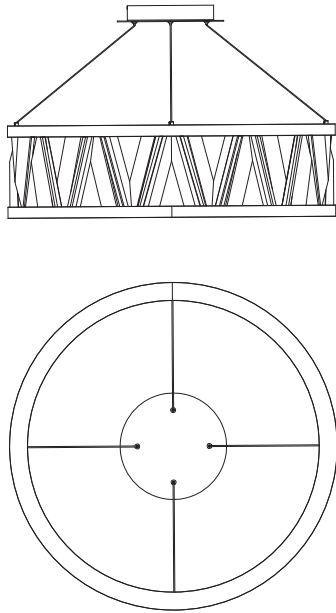


Plastic anchor
Qty: 3PCS+1 Extra

ASSEMBLY & INSTALLATION INSTRUCTIONS

Fixture
BPD74232

SCHONBEK
Beyond



WARNING
IMPORTANT: NEVER attempt any work without shutting off the electricity.
o Read all instructions before installing.
o System is intended for installation in accordance with the National Electrical Code (NEC), other applicable installation code(s) and local regulations by a licensed electrician familiar with the operation of the product and the hazards involved.
o Go to the main fuse box, or circuit breaker panel. Place the main power switch in the "OFF" position and unscrew the fuse (s) or switch "OFF" the circuit breaker switch (es) that control the power to the fixture (s) or room that you are working on.

o Place the wall switch in the "OFF" position.
o FAILURE TO INSTALL THIS FIXTURE IN ACCORDANCE WITH THESE INSTRUCTIONS MAY RESULT IN SERIOUS PERSONAL INJURY OR DEATH AND/OR PROPERTY DAMAGE.

CAUTION
o All parts must be used as indicated in these instructions. Do not substitute any parts, leave parts out, or use any parts that are worn out or broken. Failure to follow this instruction could invalidate the ETL/CETL Listing of this fixture.
o When handling the fixture, do not apply pressure to the LEDs or bulbs. Hold the fixture by the base only.
o Do not exceed maximum wattage noted on the fixture. Use only the recommended LED or standard lamps with the fixture.

ADVERTENCIA
IMPORTANT: NUNCA trate de hacer ningún trabajo sin desconectar la electricidad.
o Lea todas las instrucciones antes de instalar.
o El sistema tiene por objeto la instalación de acuerdo con el Código Eléctrico Nacional, y otros códigos de instalación y reglamentos locales aplicables, por parte de un electricista autorizado que esté familiarizado con el funcionamiento del producto y los peligros involucrados.
o Vaya a la caja de fusibles o al panel de disyuntores principal. Ponga el interruptor principal de alimentación en la posición de "APAGADO", y desenchufe los fusibles o "DESCONECTE" los disyuntores que controlen la alimentación a los dispositivos o la habitación en los que usted esté trabajando.
o Ponga el interruptor de pared en la posición de "APAGADO".
o EL HECHO DE NO INSTALAR ESTE DISPOSITIVO DE ACUERDO CON ESTAS INSTRUCCIONES PODRÍA RESULTAR EN UNA LESIÓN PERSONAL GRAVE O LA MUERTE, Y/O DAÑOS A LA PROPIEDAD.

PRECAUCIÓN
o Todas las piezas deben usarse como se indica en estas instrucciones. No sustituya ninguna pieza, no deje piezas fuera, ni utilice ninguna pieza que esté desgastada ni rota. El hecho de no seguir estas instrucciones podría invalidar la certificación ETL/CETL de este dispositivo.
o Al manipular el dispositivo, no aplique presión a los LED ni las bombillas. Sujete el dispositivo solo por la base.
o No exceda la potencia máxima indicada en el dispositivo. Use solo los LED o las bombillas estándar recomendados con el dispositivo.

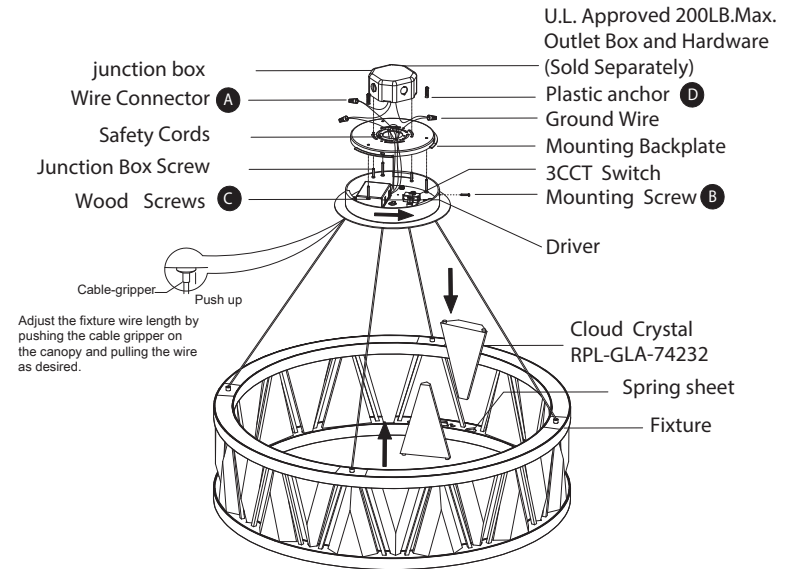
ADVERTENCIA
IMPORTANT: NUNCA trate de hacer ningún trabajo sin desconectar la electricidad.
o Lire toutes les instructions avant l'installation.
o Ce système est conçu pour être installé conformément au Code national de l'électricité ou d'autres codes d'installation et réglementations locales en vigueur par un électricien agréé connaissant le fonctionnement de ce produit et les dangers qu'il comporte.
o Aller à la boîte à fusibles ou panneau principal de disjoncteurs. Placer l'interrupteur d'alimentation principal sur « ARRÊT » et dévisser le ou les fusibles ou mettre sur « ARRÊT » le ou les disjoncteurs qui contrôlent l'alimentation du ou des appareils électriques ou de la pièce dans laquelle vous travaillez.
o Mettre l'interrupteur mural sur « ARRÊT ».
o NÉGLIGER D'INSTALLER CET APPAREIL CONFORMÉMENT À CES INSTRUCTIONS RISQUE D'ENTRAÎNER DE GRAVES BLESSURES PERSONNELLES OU LA MORT AINSI QUE DES DOMMAGES MATÉRIELS.
o MISE EN GARDE
o Toutes les pièces doivent être utilisées comme indiqué dans ces instructions. Ne remplacer aucune pièce, ne laisser aucune pièce de côté ou n'utiliser aucune pièce usée ou cassée. Le non-respect de cette directive peut invalider l'homologation ETL/CETL de cet appareil.
o Lors de la manipulation de cet appareil, n'appliquer aucune pression sur les DEL ou les ampoules. Maintenir l'appareil par la base uniquement.
o Ne pas dépasser le nombre de watts maximum indiqué sur l'appareil. N'utiliser que les DEL ou ampoules standard recommandées dans cet appareil.

ASSEMBLY & INSTALLATION INSTRUCTIONS

Fixture
BPD74232

SCHONBEK
Beyond

Fig. 1



PREPARATION

- Shut off the power at the circuit breaker and remove existing fixture, including the crossbar.
- Carefully unpack your new fixture and lay out all the parts on a clear area. Be careful not to lose any small parts necessary for installation.

MOUNTING THE Crystal AND FIXTURE (Fig. 1 and Fig.3)

- Install from the inside, the Cloud crystal against the spring sheet, press hard, the two convex points of the crystal are aligned with the two holes of the fixture, so that the spring can automatically return.
- Remove the mounting screw (B) from the fixture.
- The lamp can switch between three color temperatures (3000k-3500k-4000k), which can be adjusted to your preference with the switch in the canopy (Fig.4).
- Drill holes in the wall aligned with the key holes located in the mounting back plate, insert the plastic anchor (D).
- Secure the mounting plate to the junction box using junction box screws. fasten it to the wall using wood screws (C).

Note: (i) using any other non-original-manufacturer provided junction box screw may result in safety issue;
(ii) The side of the mounting plate marked "GND" must face out.

- Adjust the fixture wire length by pushing the cable gripper on the canopy and pulling the wire as desired.
 - Retract these wires close to a desirable length to within the canopy before securing the fixture in place. Note: retracting or extending excessive cable length through the cable gripper is not recommended.
 - Warning: Shortening these cables without professional helps or electronic background is not advisable. Any modifications to the fixture may result in voiding the warranty of the product.

CONNECTING THE WIRES (Fig. 2)

- Hook the safety cords to the mounting plate.
- Connect the driver input/output wires with junction box wires as shown in Fig.2, making sure that all wire connectors (A) are secured. If your outlet box has a green or bare copper ground wire, connect the fixture's ground wire to it. Otherwise, connect the fixture's ground wire directly to the mounting plate using the screw provided. After wires are connected, tuck them carefully inside the junction box.
- Secure the fixture by mounting the canopy to the ring of the backplate. Turn and rotate the canopy until it stops. Fasten the canopy to the back plate using the mounting screw (B).

NOTE: DIMMING WIRING INFORMATION (Fig. 4)

- This fixture features electronic low voltage (ELV or TRAC) or 0-10V dimming capabilities. See notes below for specific dimming wires information.
- To utilize ELV or TRAC dimming: use wires black (hot), white (neutral) and bare copper ground wire (ground).
- To utilize 0-10V dimming: use wire purple (dim+), pink or gray (dim-), black (hot), white (neutral) and bare copper ground wire (ground).