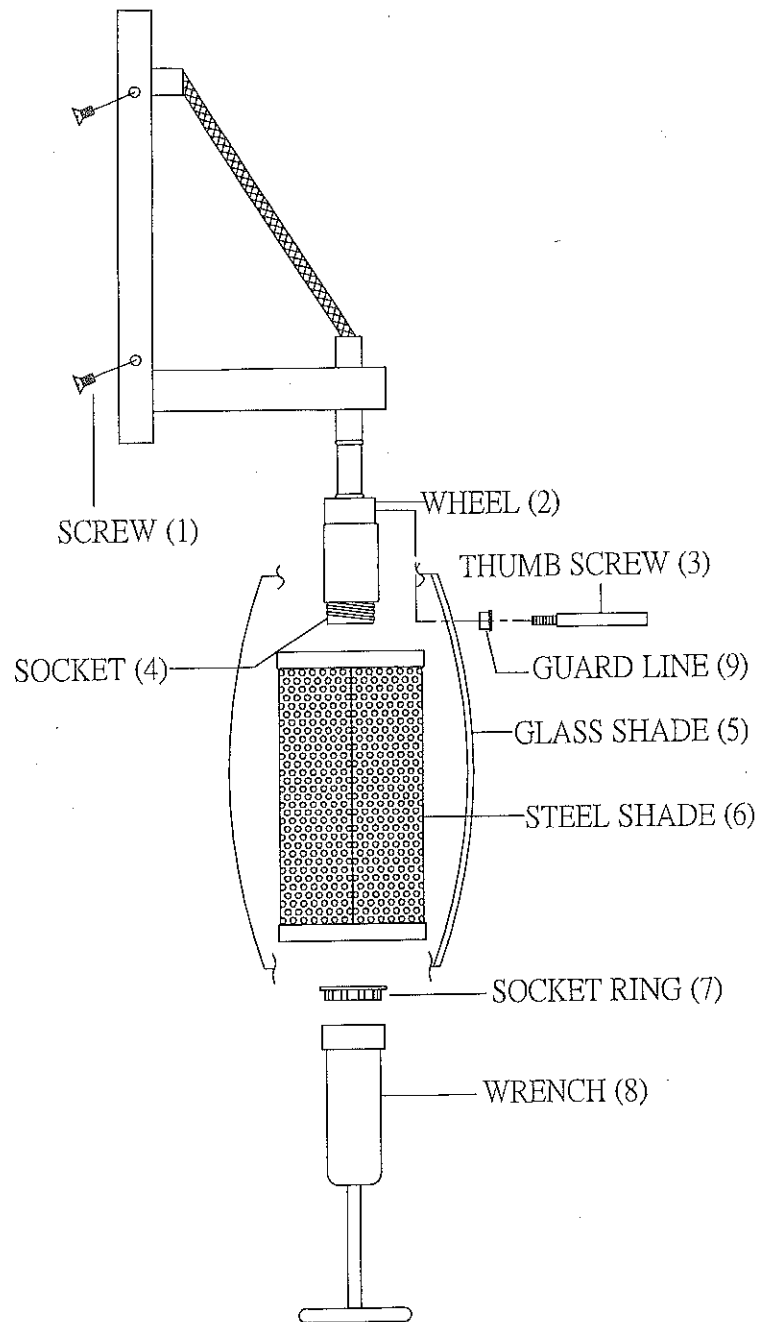


LIGHTING



INSTALLATION INSTRUCTIONS

1. Carefully remove the fixture out of the carton, and check that all parts are included referring to the above illustration. Make sure not to misplace any parts that are needed for the installation;
2. Install the steel shade (6) and socket ring (7) onto socket (4), then secure them with wrench (8).
3. Install the guard line into glass shade (5) and glass shade (5) onto wheel (2), then secure them with thumb screw (3).
4. Fixture is ready for lamping and installation.