

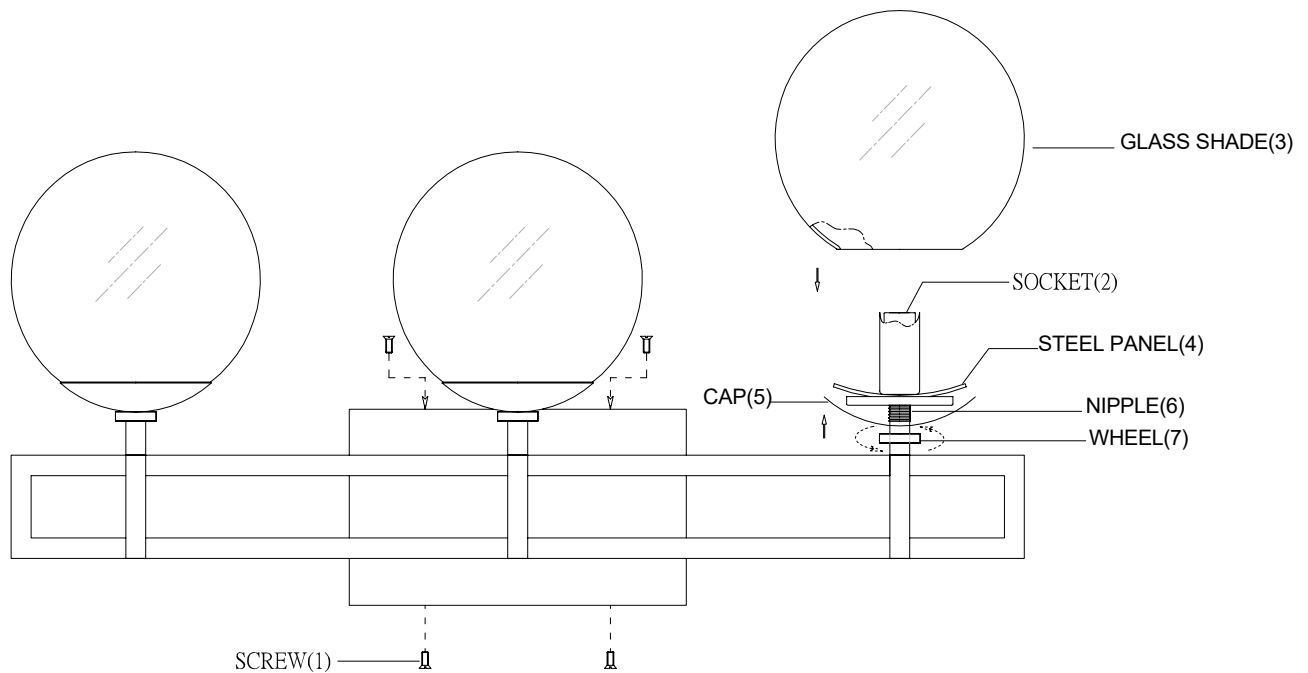


SAVOY
HOUSE

ITEM NO : 8-1860-2-322/BK

8-1860-3-322/BK

8-1860-4-322/BK



ASSEMBLY INSTRUCTIONS

1. Carefully unpack and identify all parts referring to illustration for parts identification.
2. Turn the power to the installation point OFF.
3. Install the bulb (NOT PROVIDED) into socket (2).
4. Assemble the glass shade (3), the steel panel (4), and the cap (5), onto the nipple (6). Secure with wheel (7).
5. Refer to the additional installation instructions included with the product for wiring and installation.
6. Restore power to the installation point and retain this sheet for future reference.