

INSTALLATION INSTRUCTIONS

For Model # P4400-084-L/P4400-029-L/P4400-467-L (09/05/2019)

TO INSTALL AS A PORTABLE UNIT

WARNING! SHUT POWER OFF AT FUSE OR CIRCUIT BREAKER.
AVERTISSEMENT! COUPER LE COURANT AU NIVEAU DES FUSIBLES OU DU DISJONCTEUR.

WARNING

- Risk of shock, do not plug in the unit before assembly is complete.
- Do not exceed the maximum wattage rating. **(NE PAS DEPASSER LA PUISSANCE NOMINALE MAXIMALE!)**
- Before you begin assembly of your new fixture, please follow the instruction manual step by step.

MOUNTING THE FIXTURE, PLUG VERSION (Fig.1 & 2)

For hardwire version see Fig. 3, Fig. 4 & Fig. 5

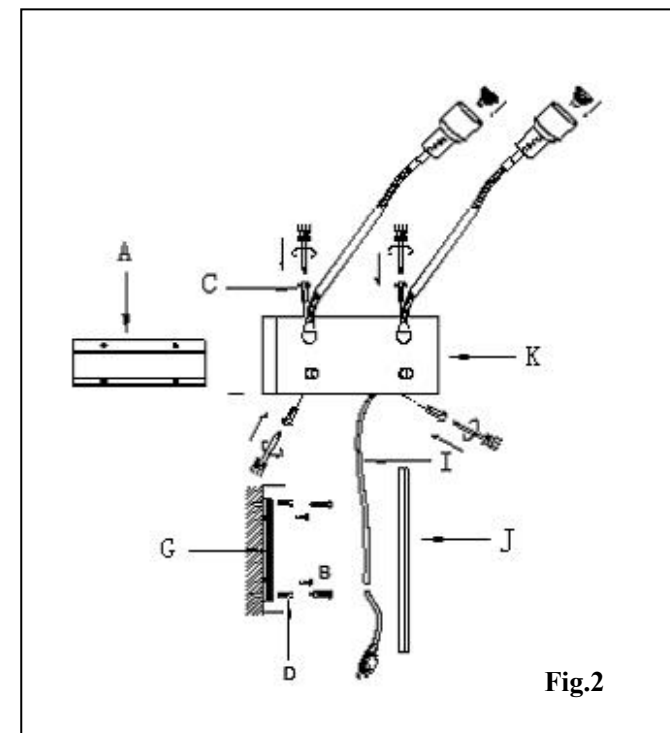
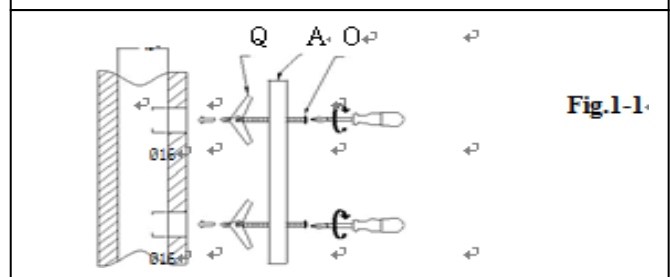
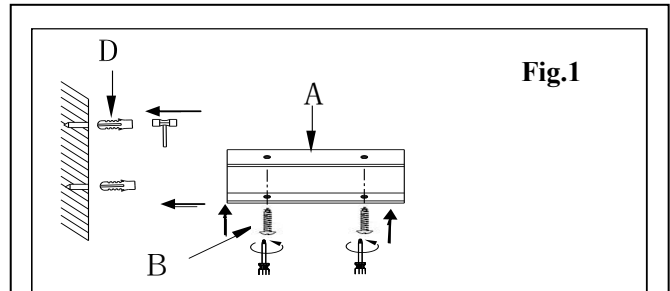
1. Carefully unpack your new fixture and lay out all the parts on a clear area. Take care not to lose any small parts necessary for installation.

Fig.1 (FOR SOLID WALL)

2. Drill four (6mm) diameter holes in the proper position on the wall according to the mounting location of the fixture. Insert the plastic anchors (D)
3. Secure the mounting plate (A) to wall using the screws (B).

Fig.1-1 (FOR HOLLOW WALL)

- 2-1. Drill four (16mm) diameter holes in the proper position on the wall according to the mounting location of the fixture.
- 3-1. Pass crown bolt (O) and the toggle bolt anchor (Q) through the keyhole on the mounting plate (A), then carefully push the toggle bolt anchor (Q) into the hole in the wall. Screw crown bolt (O) which will tighten the mounting plate (A) to the wall.
4. Align the fixture body (K) over mounting plate (A) and secure with four screws (C) (Size: #5-32N*L0.3").
5. Install the cord cover bracket (G) to the wall with screws (B) (Size: M4*L1") and dry-wall anchors (D).
6. Fix the cord (I) into the cord cover (J), and snap the cord cover (J) into the bracket (G).
7. Install (2) two GU-5.3 base bulbs up to 50 watts or CFL or LED equivalent in accordance with the fixture specification. **(DO NOT EXCEED THE MAXIMUM WATTAGE RATING!) (NE PAS DEPASSER LA PUISSANCE NOMINALE MAXIMALE!)**



Lighted lamp is HOT!

WARNING: In handling of halogen bulb, care should be taken not to touch it with your bare hands. Oil residue will shorten the life of the halogen bulb. If you accidentally come in contact, wipe thoroughly with a clean, lint-free, cotton cloth. Allow the bulb to cool for 10 minutes before changing the bulb.

WARNING – To reduce the risk of FIRE, ELECTRIC SHOCK, EXPOSURE TO EXCESSIVE UV RADIATION, OR INJURY TO PERSONS:

1. Turn off/unplug and allow to cool before replacing bulb.
2. Bulb gets HOT quickly! Only contact switch/plug when turning on.
3. Do not touch hot lens, guard, or enclosure.
4. Do not remain in light if skin feels warm.
5. Do not look directly at lighted lamp.
6. Keep lamp away from materials that may burn.
7. Use only with a 50 watt or smaller bulb.
8. Do not touch the bulb at any time. Use a soft cloth. Oil from skin may damage bulb.
9. Do not operate the portable luminaire with a missing or damaged guard, lamp containment barrier, or UV filter.

TO INSTALL AS A FIXTURE UNIT

WARNING! SHUT POWER OFF AT FUSE OR CIRCUIT BREAKER.
AVERTISSEMENT! COUPER LE COURANT AU NIVEAU DES FUSIBLES OU DU DISJONCTEUR.

MOUNTING THE FIXTURE, HARDWARE VERSION (Fig. 3, Fig. 4 & Fig. 5)

1. Shut off power at the circuit breaker and remove old fixture from wall, including the crossbar.
2. Remove the cord and plug by disconnecting the wire nuts to the cord. **(Please do not throw away the wire nuts after disconnecting wires.)**
3. Secure the mounting bracket (A) to the outlet box using the screws (B). The side of the mounting bracket marked "GND" must face out **(Fig.3)**.

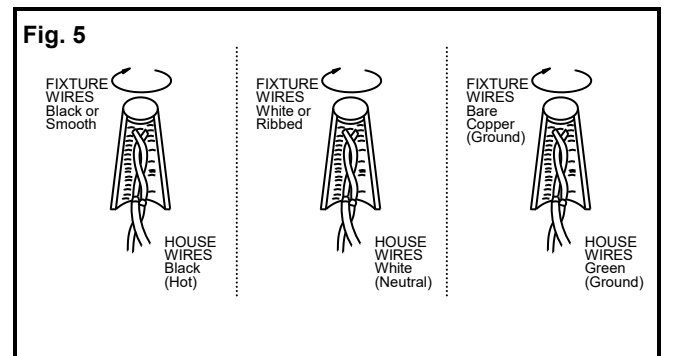
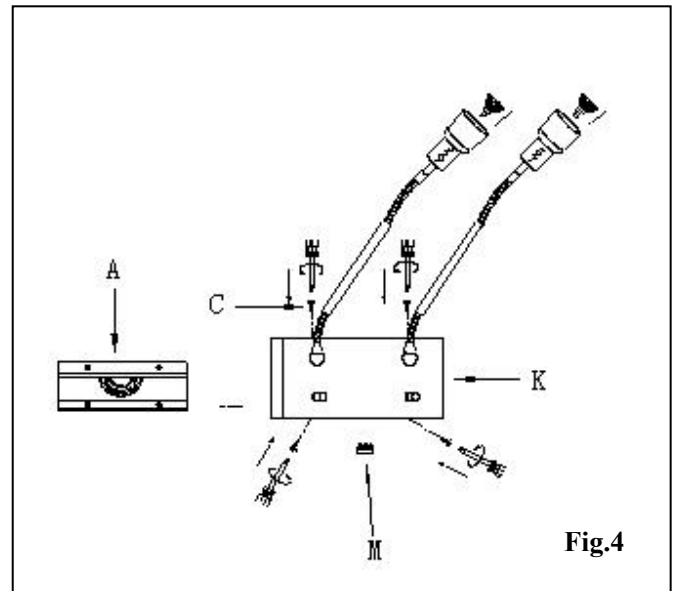
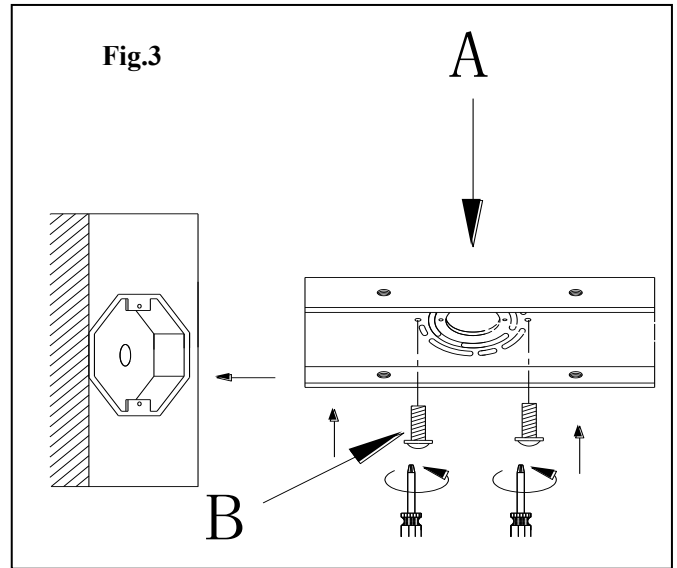
CONNECTING THE WIRES (Fig. 5)

4. Connect the electrical wires as shown in Fig. 5, making sure that all wire connectors are secured. If your outlet has a ground wire (green or bare copper), connect the fixture's ground wire to it. Otherwise, connect the fixture's ground wire directly to the mounting bracket (A) by using the green screw provided.

FINISHING THE INSTALLATION (Fig. 4)

5. Place fixture body (K) over the mounting bracket (A) and secure with four screws (C).
6. Insert plug (M) into the hole on the bottom of the fixture body (K).
7. Install (2) two GU-5.3 base bulbs up to 50 watts or CFL or LED equivalent in accordance with the fixture specification. **(DO NOT EXCEED THE MAXIMUM WATTAGE RATING!) (NE PAS DEPASSER LA PUISSANCE NOMINALE MAXIMALE!)**

Your installation is now complete. Return power to the outlet box and test the fixture.



IN AN ONGOING EFFORT TO BE ENVIRONMENTALLY FRIENDLY AND IN COMPLIANCE WITH CALIFORNIA TITLE 20, AN ENERGY SAVING COMPACT LED BULB(S) IS INCLUDED.