



BATH COLLECTION

GENERAL PRODUCT INFORMATION:



This fixture is intended to be installed utilizing NEC compliant junction boxes.

This product is suitable for damp locations.

This product can be dimmed with a low-voltage electronic dimmer.

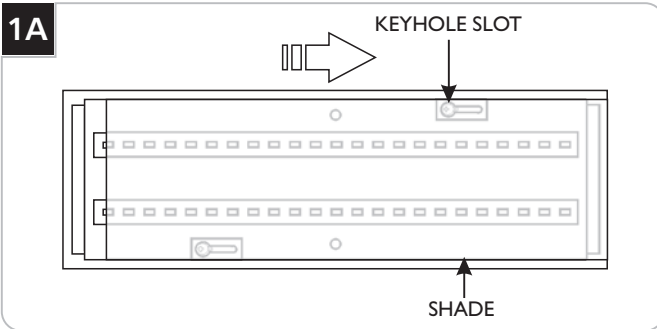


CAUTION - RISK OF FIRE

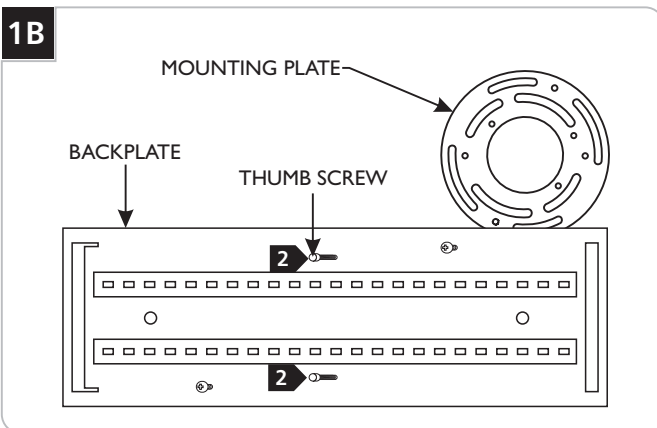
This product must be installed in accordance with the applicable installation code by a person familiar with the construction and operation of the product and the hazards involved.

Use minimum 90°C supply conductors.

Prepare the Fixture



1 Remove the shade by sliding it all the way over to release it from the keyhole slot, then carefully pull it straight out.

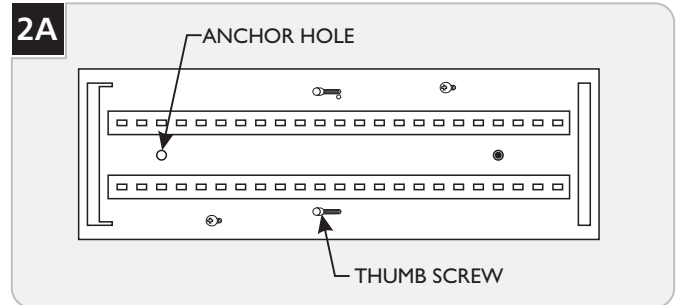


2 Unscrew the two thumb screws to separate the mounting plate from the backplate.

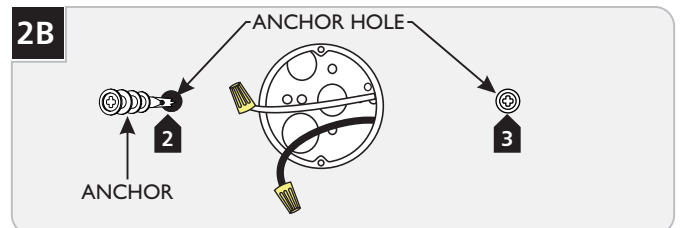
Back Plate Installation (Horizontal)

NOTE: If mounting vertically, skip to section 4.

NOTE: If plaster ring holes are horizontal or mounting onto a octagon electric box, skip to section 3.



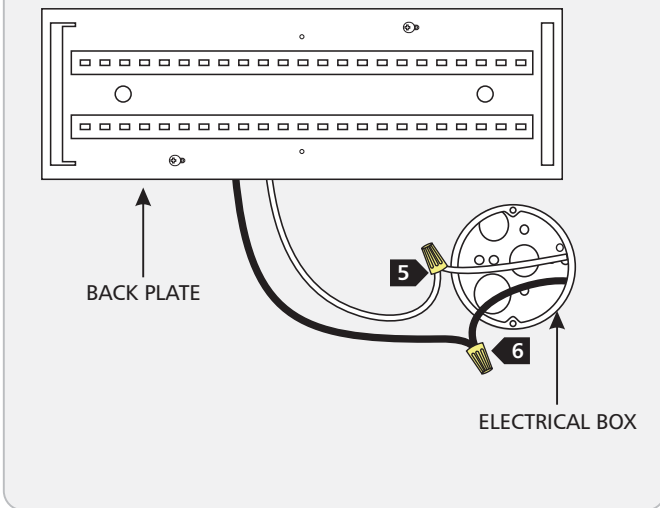
1 Temporarily mount the fixture onto the mounting plate using the thumb screws, mark the anchor hole locations, and remove the back plate.



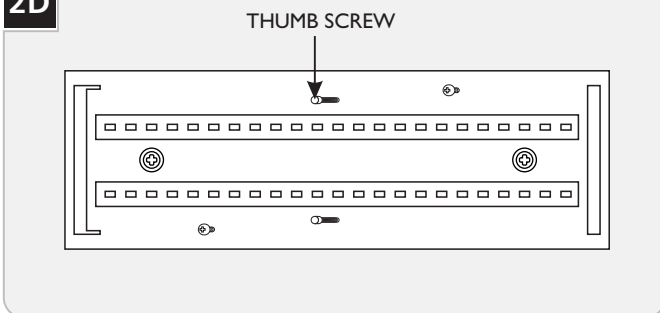
2 Drill appropriate sized holes at the marked locations and install the anchor into the wall up to the threads.

3 Screw the anchors in the rest of the way with a Phillips-head screwdriver.

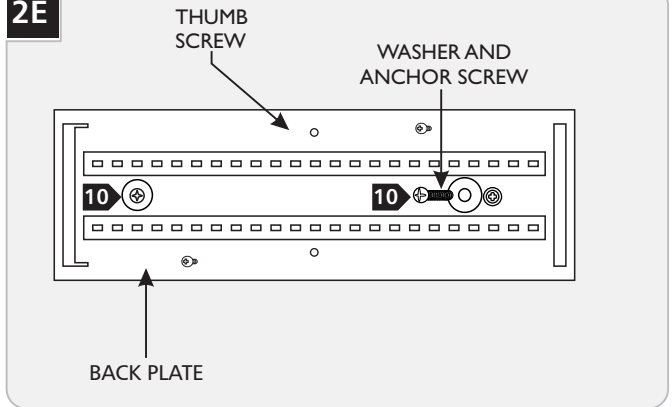
4 Repeat steps 2-3 for the other anchor.

2C

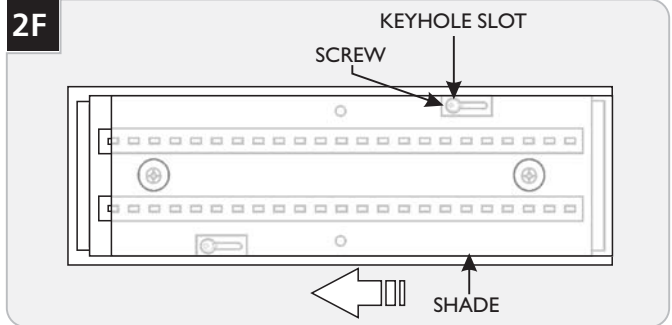
- 5** Connect the white fixture wire to the neutral power line wire with a wire nut.
- 6** Connect the black fixture wire to the hot power line wire with a wire nut.
- 7** Connect the fixture to a suitable ground in accordance with local electrical codes.

2D

- 8** Properly place all wires and wire nut connections into the electrical box.
- 9** Install the mounting plate to the electrical box by completely screwing in the thumb screws.

2E

- 10** Install washers onto the anchor screws, then fully secure the back plate by screwing the anchor screws into the anchors.

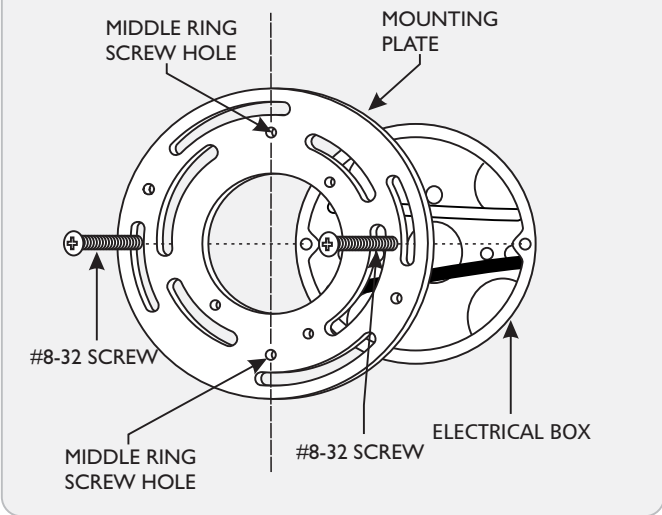
2F

- 11** Align the large openings in the keyhole slots on the shade to the screws on the back plate and install the shade onto the backplate.
- 12** Lock the shade in place by sliding it over.

Back Plate Installation (Horizontal)

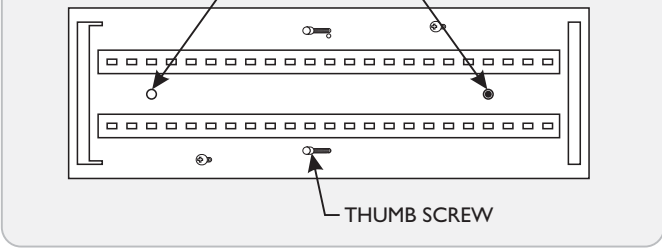
(horizontal plaster ring or octagonal electrical box)

3A



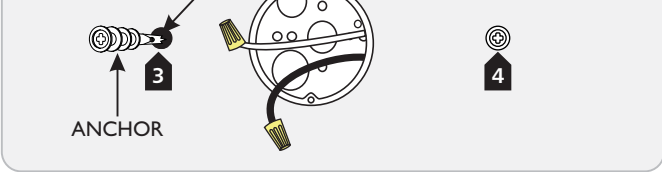
- 1 Align the two screw holes in the middle ring of the mounting plate vertically and secure it to the electrical box with the two #8-32 screws provided.

3B



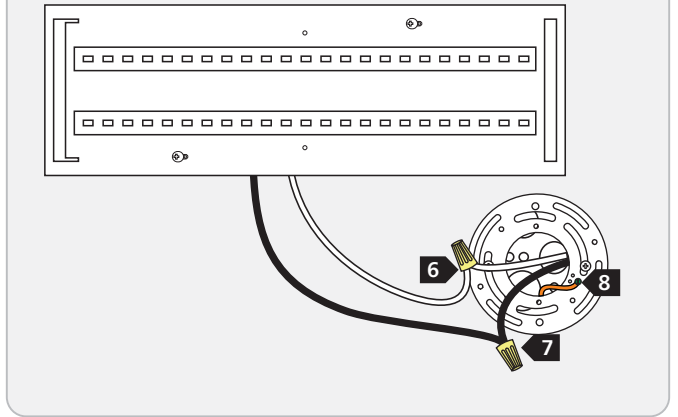
- 2 Temporarily mount the fixture onto the back plate using the thumb screws, mark the anchor hole locations, and remove the fixture.

3C



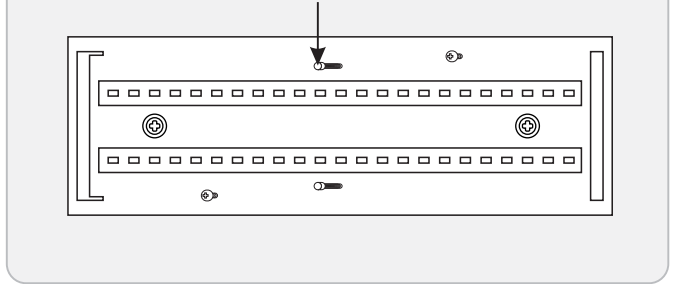
- 3 Drill appropriate sized holes at the marked locations and install the anchor into the wall up to the threads.
- 4 Screw the anchors in the rest of the way with a Phillips-head screwdriver.
- 5 Repeat steps 2-4 for the other anchor.

3D



- 6 Connect the white fixture wire to the neutral power line wire with a wire nut.
- 7 Connect the black fixture wire to the hot power line wire with a wire nut.
- 8 Connect the fixture to a suitable ground in accordance local electrical codes.

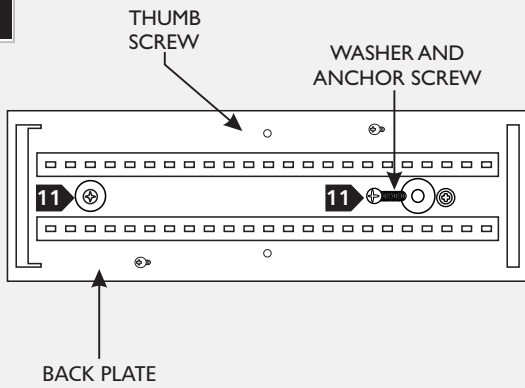
3E



- 9 Properly place all wires and wire nut connections into the electrical box.
- 10 Install the back plate to the mounting plate by completely screwing in the thumb screws.

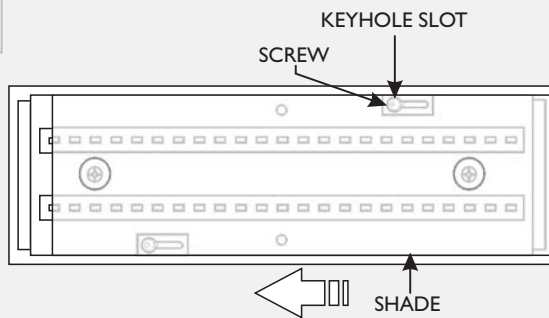
Back Plate Installation (Vertical)

3F



- 11** Install washers onto the anchor screws, then fully secure the back plate by screwing the anchor screws into the anchors.

3G

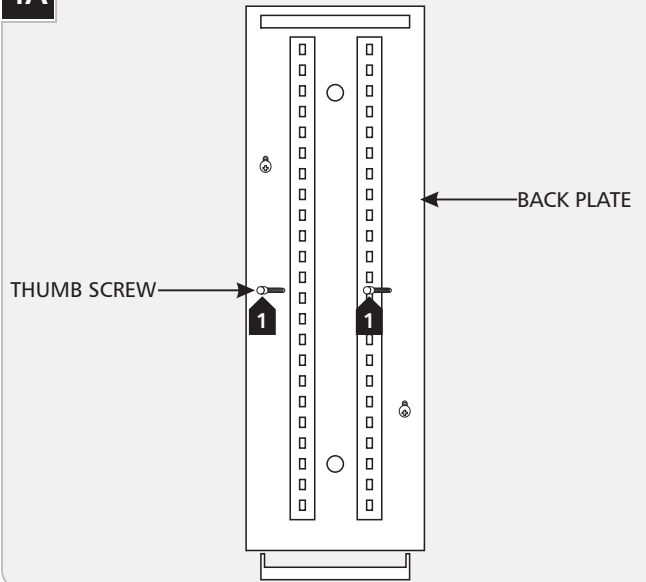


- 12** Align the large openings in the keyhole slots on the shade to the screws on the back plate and install the shade onto the backplate.

- 13** Lock the shade in place by sliding it over.

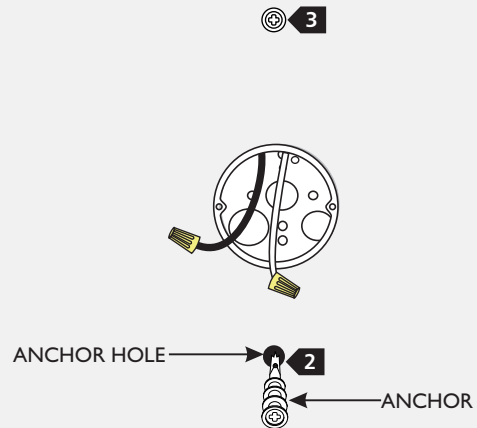
NOTE: If plaster ring holes are vertical or mounting onto a octagon electrical box, skip to section 5.

4A



- 1** Temporarily mount the back plate onto the electrical box using the thumb screws, mark the anchor hole locations, and remove the fixture.

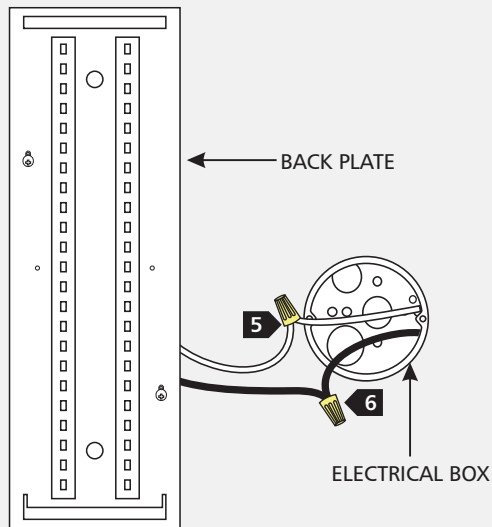
4B



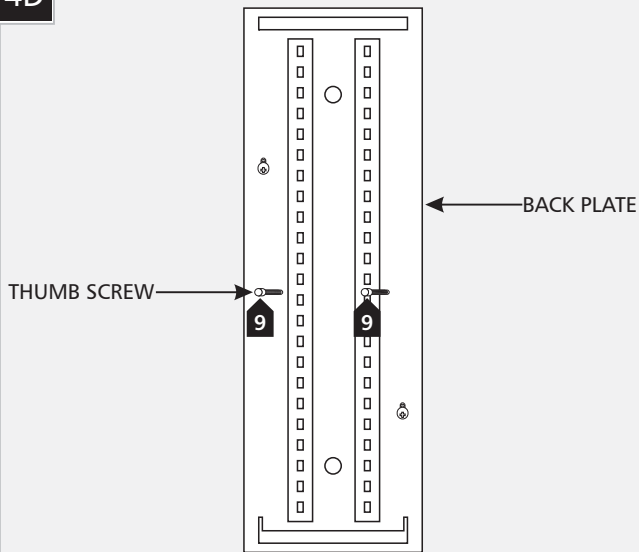
- 2** Drill appropriate sized holes at the marked locations and install the anchor into the wall up to the threads.

- 3** Screw the anchors in the rest of the way with a Phillips-head screwdriver.

- 4** Repeat steps 2-4 for the other anchor.

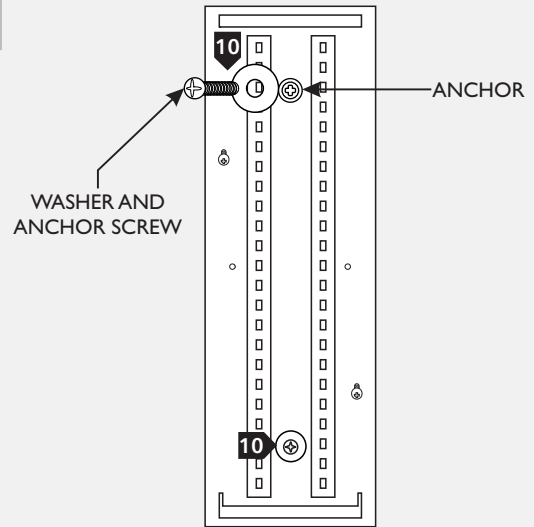
4C

- 5** Connect the white fixture wire to the neutral power line wire with a wire nut.
- 6** Connect the black fixture wire to the hot power line wire with a wire nut.
- 7** Connect the fixture to a suitable ground in accordance with local electrical codes.

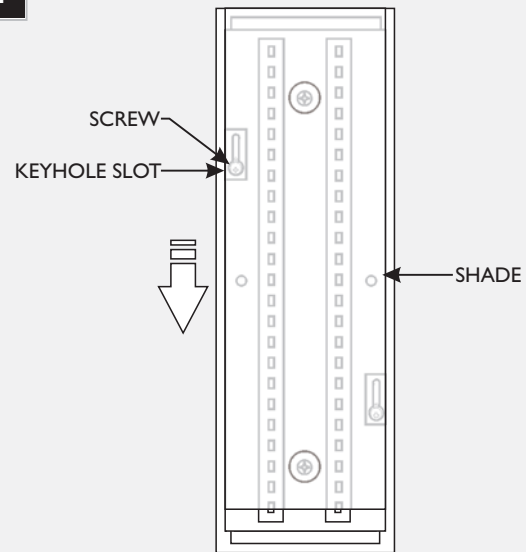
4D

NOTE: Ensure that the shade will slide down to lock in place.

- 8** Properly place all wires and wire nut connections into the electrical box.
- 9** Secure the mounting plate to the electrical box by completely screwing in the thumb screws.

4E

- 10** Install washers onto the anchor screws, then fully secure the mounting plate by screwing the anchor screws into the anchors.

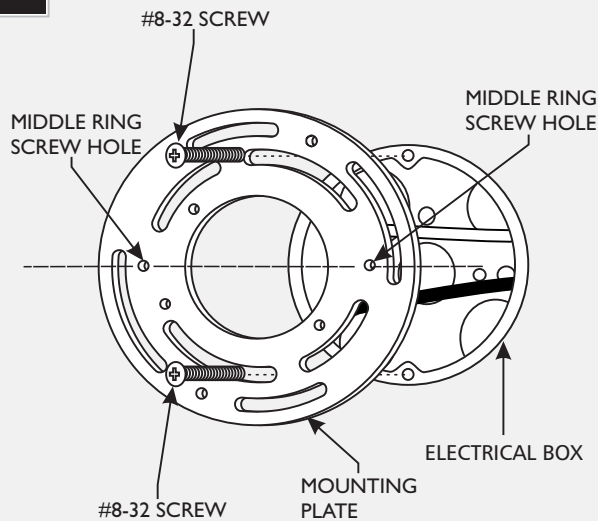
4F

- 11** Align the large openings in the keyhole slots on the shade to the screws on the back plate and install the shade onto the backplate.
- 12** Lock the shade in place by sliding it over.

Back Plate Installation (Vertical)

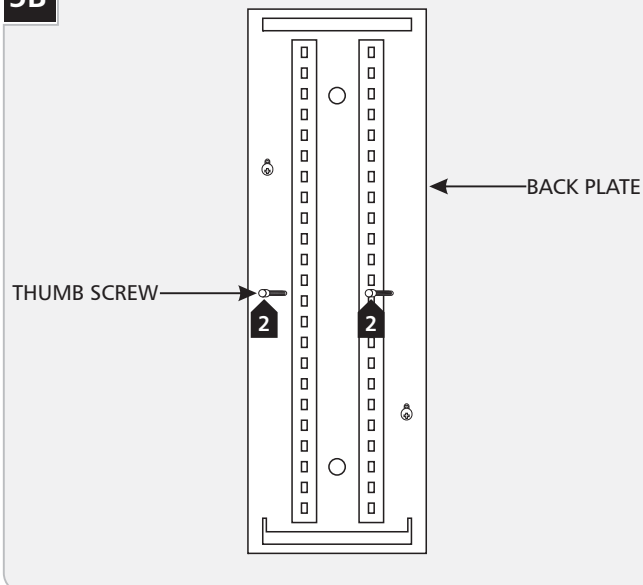
(vertical plaster ring or octagonal electrical box)

5A



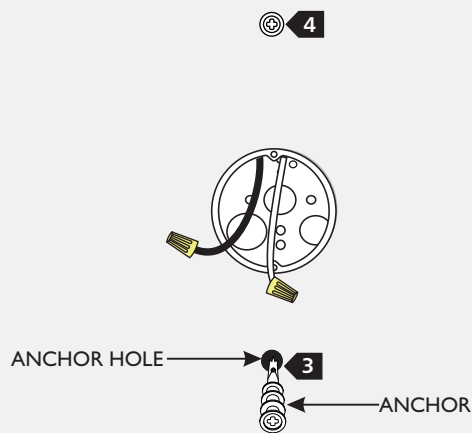
- 1 Align the two screw holes in the middle ring of the mounting plate horizontally and secure it to the electrical box with the two #8-32 screws provided.

5B



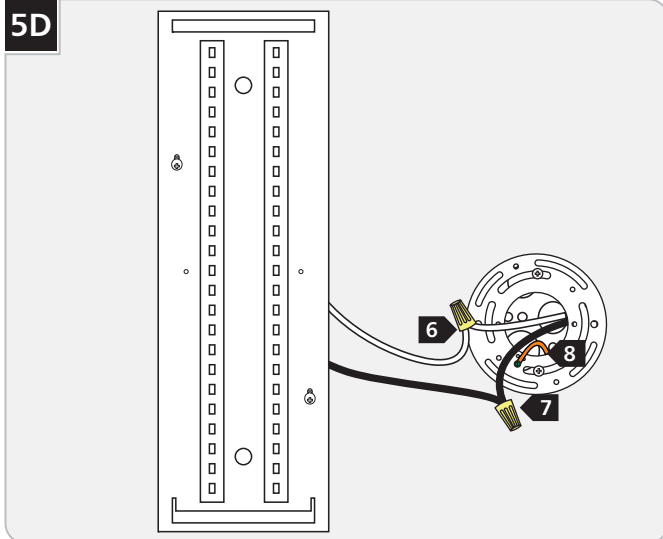
- 2 Temporarily mount the back plate onto the electrical box using the thumb screws, mark the anchor hole locations, and remove the fixture.

5C



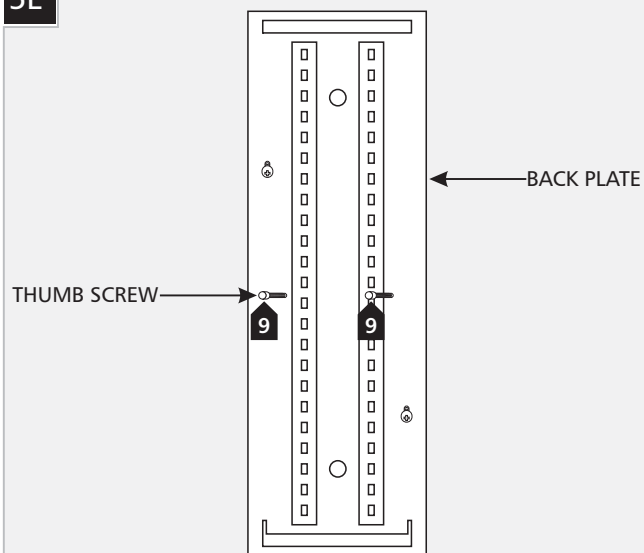
- 3 Drill appropriate sized holes at the marked locations and install the anchor into the wall up to the threads.
- 4 Screw the anchors in the rest of the way with a Phillips-head screwdriver.
- 5 Repeat steps 3-4 for the other anchor.

5D



- 6 Connect the white fixture wire to the neutral power line wire with a wire nut.
- 7 Connect the black fixture wire to the hot power line wire with a wire nut.
- 8 Connect the fixture to a suitable ground in accordance with local electrical codes.

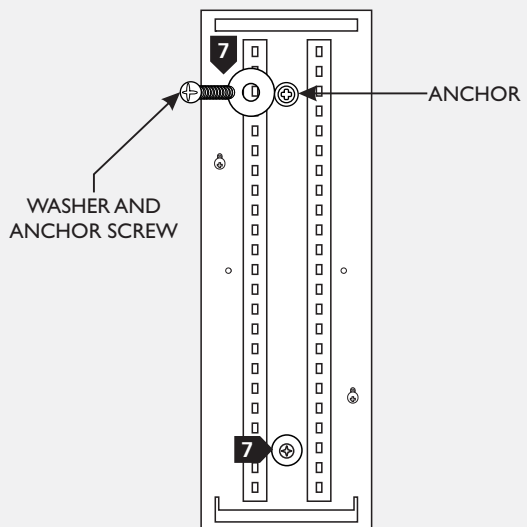
5E



NOTE: Ensure that the shade will slide down to lock in place.

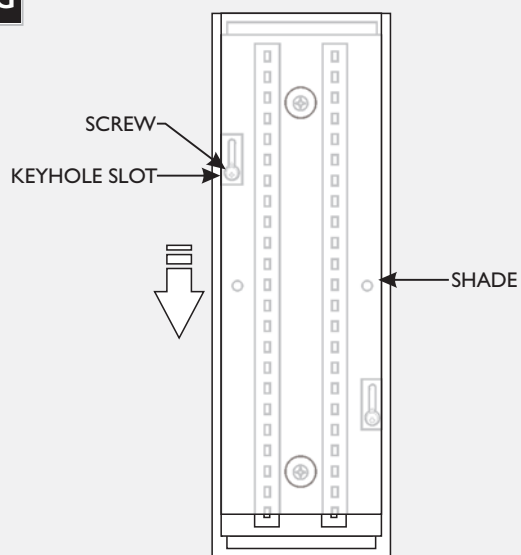
- 8 Properly place all wires and wire nut connections into the electrical box.
- 9 Secure the back plate to the mounting plate by completely screwing in the thumb screws.

5F



- 10 Install washers onto the anchor screws, then fully secure the mounting plate by screwing the anchor screws into the anchors.

5G



- 11 Align the large openings in the keyhole slots on the shade to the screws on the back plate and install the shade onto the backplate.
- 12 Lock the shade in place by sliding it over.

SAVE THESE INSTRUCTIONS!



TECH LIGHTING®

7400 Linder Ave, Skokie, IL 60077

847.410.4400

www.techlighting.com

© 2017 Tech Lighting, L.L.C. All rights reserved. The "Tech Lighting" graphic is a registered trademark of Tech Lighting, L.L.C. Tech Lighting reserves the right to change specifications for product improvements without notification.

A Generation Brands Company