



BATH COLLECTION

GENERAL PRODUCT INFORMATION:



This fixture is intended to be installed utilizing NEC compliant junction boxes.

This product is suitable for damp locations.

This product can be dimmed with a low-voltage electronic dimmer.

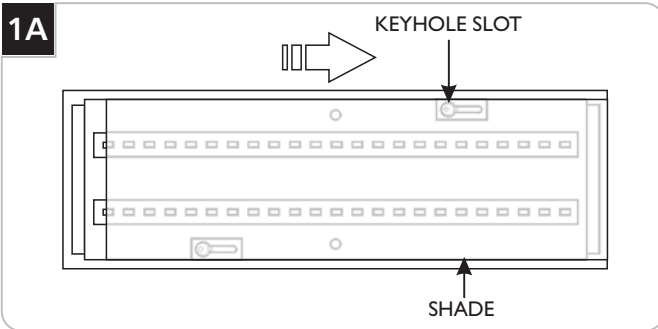


CAUTION - RISK OF FIRE

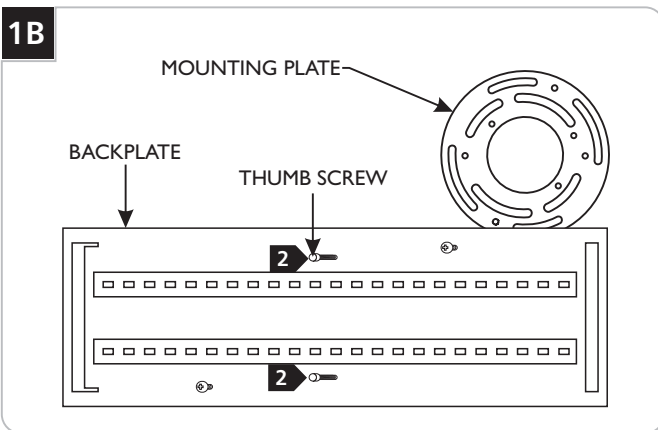
This product must be installed in accordance with the applicable installation code by a person familiar with the construction and operation of the product and the hazards involved.

Use minimum 90°C supply conductors.

Prepare the Fixture



- 1 Remove the shade by sliding it all the way over to release it from the keyhole slot, then carefully pull it straight out.

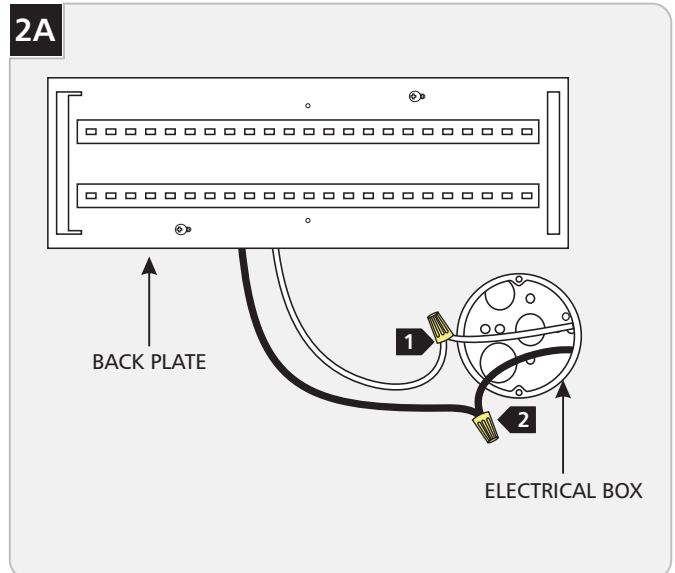


- 2 Unscrew the two thumb screws to separate the mounting plate from the backplate.

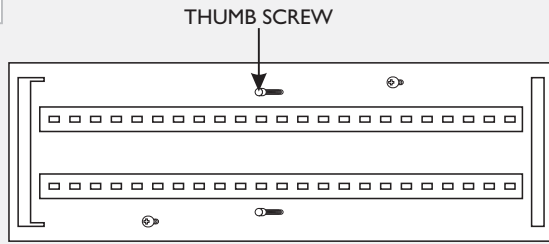
Back Plate Installation (Horizontal)

NOTE: If mounting vertically, skip to section 4.

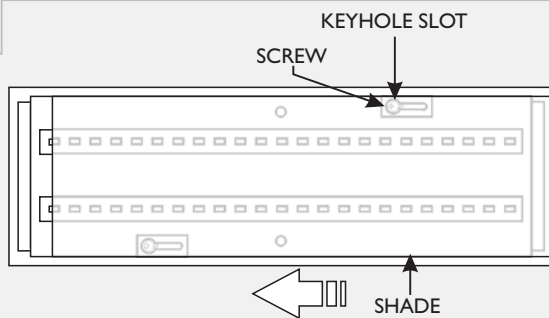
NOTE: If plaster ring holes are horizontal or mounting onto a octagon electric box, skip to section 3.



- 1 Connect the white fixture wire to the neutral power line wire with a wire nut.
- 2 Connect the black fixture wire to the hot power line wire with a wire nut.
- 3 Connect the fixture to a suitable ground in accordance with local electrical codes.

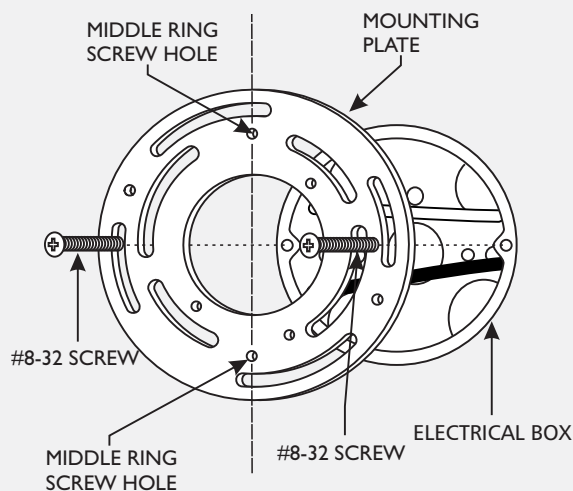
2B

- 4 Properly place all wires and wire nut connections into the electrical box.
- 5 Secure the mounting plate to the electrical box by completely screwing in the thumb screws.

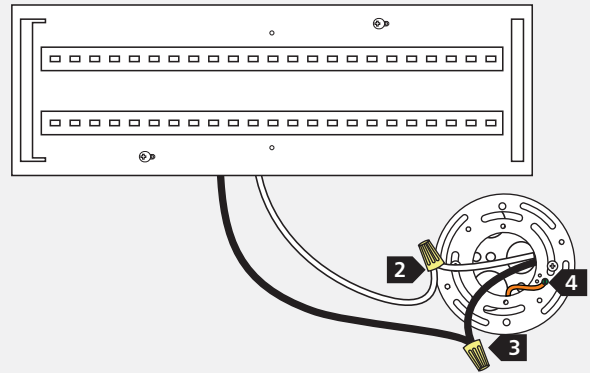
2C

- 6 Align the large openings in the keyhole slots on the shade to the screws on the back plate and install the shade onto the backplate.
- 7 Lock the shade in place by sliding it over.

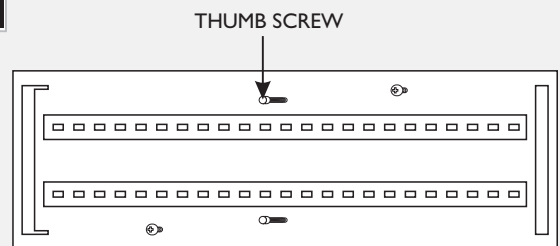
Back Plate Installation (Horizontal) (horizontal plaster ring or octagonal electrical box)

3A

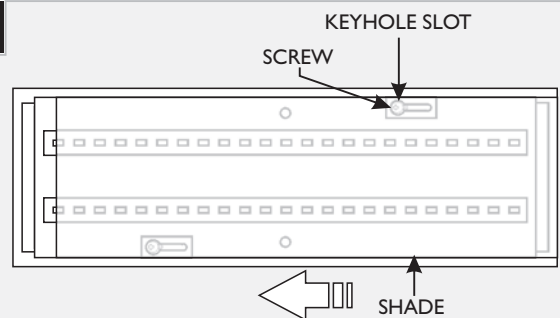
- 1 Align the two screw holes in the middle ring of the mounting plate vertically and secure it to the electrical box with the two #8-32 screws provided.

3B

- 2 Connect the white fixture wire to the neutral power line wire with a wire nut.
- 3 Connect the black fixture wire to the hot power line wire with a wire nut.
- 4 Connect the fixture to a suitable ground in accordance local electrical codes.

3C

- 4 Properly place all wires and wire nut connections into the electrical box.
- 5 Secure the back plate to the mounting plate by completely screwing in the thumb screws.

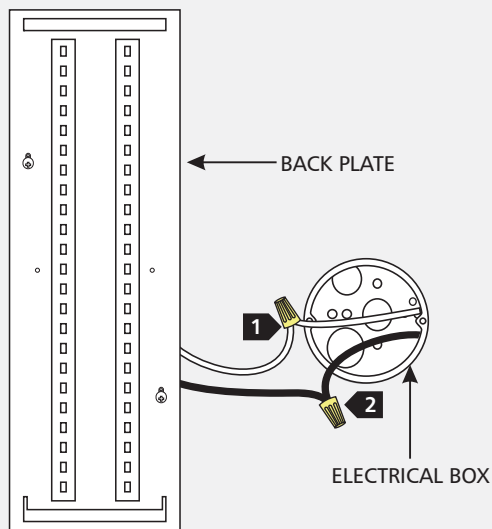
3D

- 6 Align the large openings in the keyhole slots on the shade to the screws on the back plate and install the shade onto the backplate.
- 7 Lock the shade in place by sliding it over.

Back Plate Installation (Vertical)

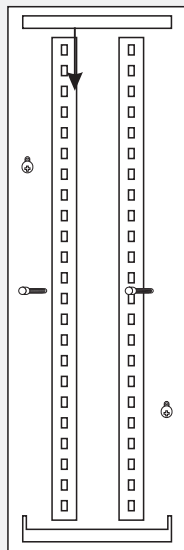
NOTE: If plaster ring holes are vertical or mounting onto a octagon electrical box, skip to section 5.

4A



- 1** Connect the white fixture wire to the neutral power line wire with a wire nut.
- 2** Connect the black fixture wire to the hot power line wire with a wire nut.
- 3** Connect the fixture to a suitable ground in accordance with local electrical codes.

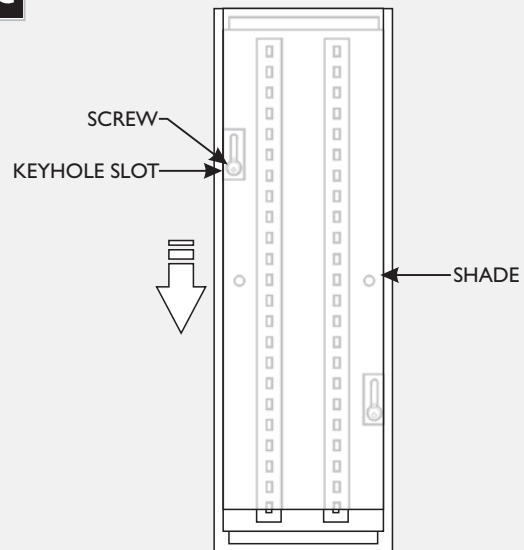
4B



NOTE: Ensure that the shade will slide down to lock in place.

- 4** Properly place all wires and wire nut connections into the electrical box.
- 5** Secure the mounting plate to the electrical box by completely screwing in the thumb screws.

4C

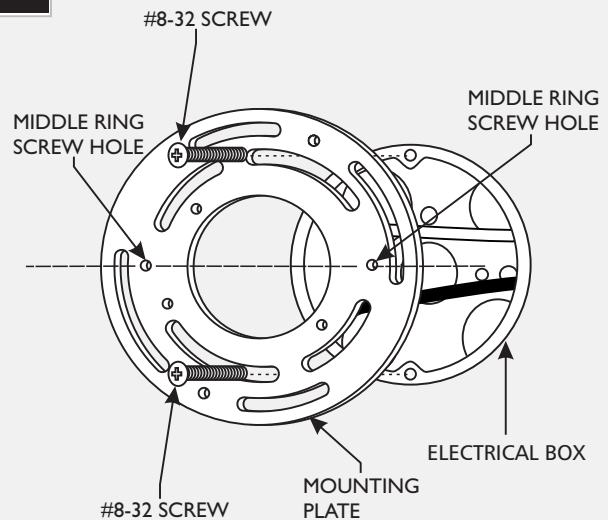


- 6** Align the large openings in the keyhole slots on the shade to the screws on the back plate and install the shade onto the backplate.
- 7** Lock the shade in place by sliding it over.

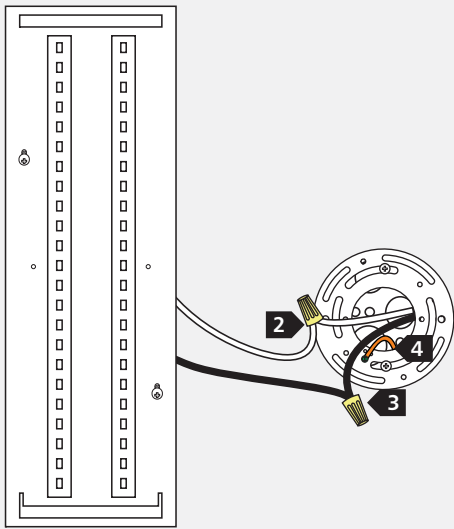
Back Plate Installation (Vertical)

(vertical plaster ring or octagonal electrical box)

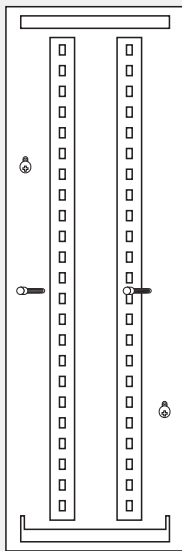
5A



- 1** Align the two screw holes in the middle ring of the mounting plate horizontally and secure it to the electrical box with the two #8-32 screws provided.

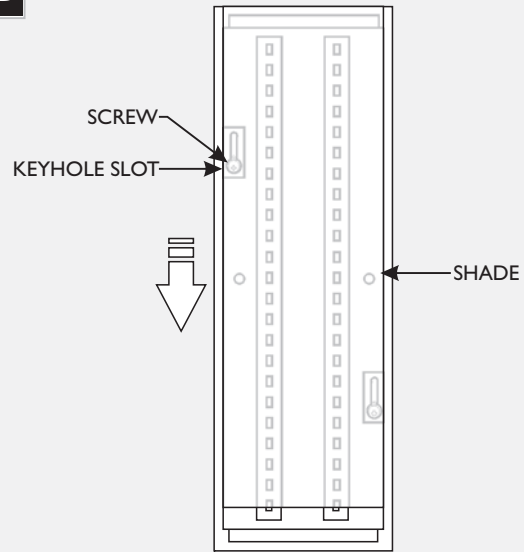
5B

- 2 Connect the white fixture wire to the neutral power line wire with a wire nut.
- 3 Connect the black fixture wire to the hot power line wire with a wire nut.
- 4 Connect the fixture to a suitable ground in accordance with local electrical codes.

5C

NOTE: Ensure that the shade will slide down to lock in place.

- 5 Properly place all wires and wire nut connections into the electrical box.
- 6 Secure the mounting plate to the electrical box by completely screwing in the thumb screws.

5D

- 7 Align the large openings in the keyhole slots on the shade to the screws on the back plate and install the shade onto the backplate.
- 8 Lock the shade in place by sliding it over.

SAVE THESE INSTRUCTIONS!



TECH LIGHTING®

7400 Linder Ave, Skokie, IL 60077
847.410.4400

www.techlighting.com

© 2017 Tech Lighting, L.L.C. All rights reserved. The "Tech Lighting" graphic is a registered trademark of Tech Lighting, L.L.C. Tech Lighting reserves the right to change specifications for product improvements without notification.

A Generation Brands Company