

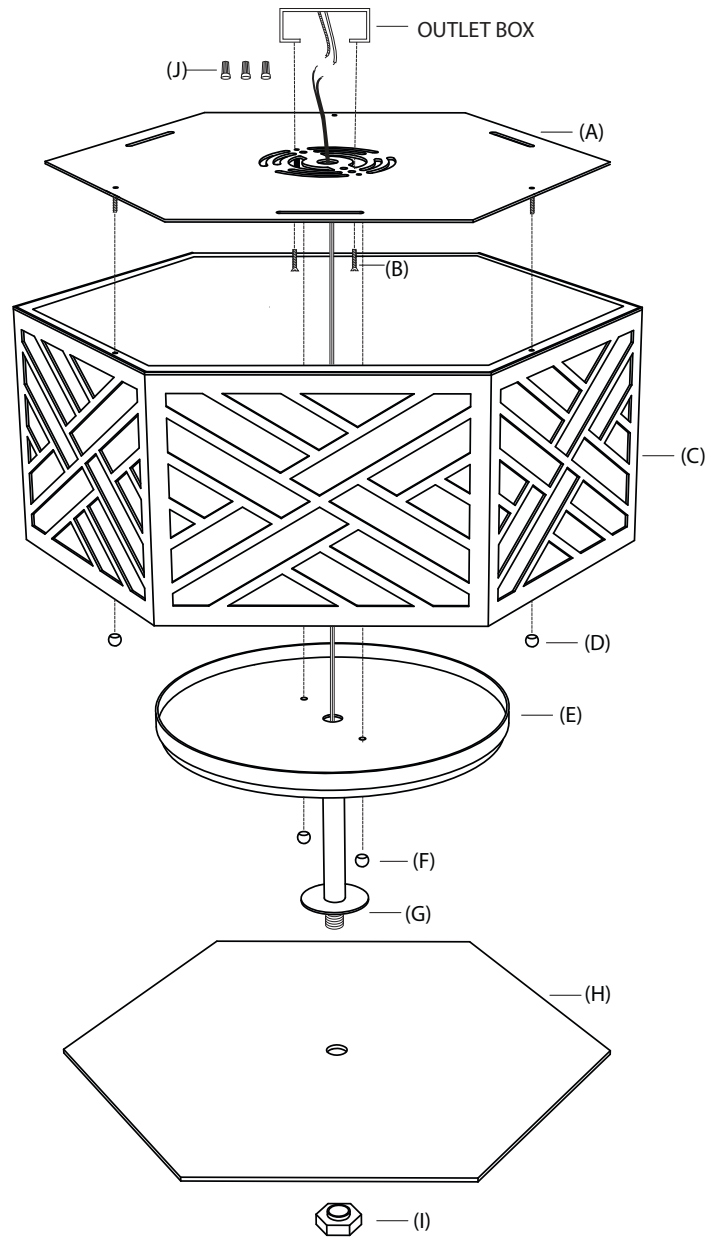
## ASSEMBLY INSTRUCTIONS FOR YOUR WILLIAMSBURG TAZEWELL FLUSH MOUNT

### IMPORTANT SAFETY INSTRUCTIONS:

- \* These instructions are provided for your safety.
- \* It is very important that they are read completely before beginning the installation of your fixture.
- \* **WE STRONGLY RECOMMEND INSTALLATION BY A LICENSED ELECTRICIAN.**
- \* Turn off power at switch before replacing bulbs, making sure fixture has had sufficient time to cool down.
- \* If any special control devices are used with this fixture, follow the instructions carefully to assure full compliance with N.E.C. requirements. If there are any questions, contact a qualified electrical contractor.
- \* This fixture is UL rated for dry locations.

### ASSEMBLY INSTRUCTIONS:

1. SHUT OFF THE MAIN ELECTRICAL SUPPLY FROM THE MAIN FUSE BOX/ CIRCUIT BREAKER.
  2. Remove all parts from carton and discard packing materials.
  3. Remove glass diffuser (H) from packaging and set aside.
  4. Place parts on a level surface. Remove mounting plate (A) from shade (C) by removing threaded spheres (D). Set threaded spheres (D) aside. Remove threaded spheres (F) from center of mounting plate and set aside.
  5. Affix mounting plate (A) to ceiling outlet box using mounting screws (B). Gently pull wires from ceiling outlet box through hole in the middle of mounting plate (A).
  6. Lift canopy (E) to mounting plate (A) and make the proper electrical connections noted in steps 7 - 9.
- A licensed electrician is recommended.**
7. Attach ground wire from fixture (green or copper in color) to ground wire from outlet box. Fasten wires together with wire nut (J) and tightly wrap connection with electrical tape.
  8. Attach hot wire from fixture (black in color or smooth side of wire) to hot wire from outlet box. Fasten wires together with wire nut (J) and tightly wrap connection with electrical tape. Fasten wires together with wire nut (J) and tightly wrap connection with electrical tape.
  9. Attach neutral wire from fixture (white in color or ribbed side of wire) to neutral wire from outlet box. Fasten wires together with wire nut (J). Wrap connection with electrical tape. Gently push wire connections back into the outlet box.
  10. Align holes in canopy (E) with threaded tubes protruding from center of mounting plate (A). Slide canopy (E) over threaded tubes until it rests against mounting plate (A). Secure canopy (E) to mounting plate (A) using threaded spheres (F).
  11. Align holes in shade (C) with remaining threaded tubes protruding from mounting plate (A). Slide shade over threaded tubes and secure in place by threading spheres (F) onto threaded tubes.
  11. Lift diffuser (H) to threaded tube (G). Slide diffuser (H) over threaded tube (G). Secure in place by threading finial (I) onto threaded tube (G) until hand tight. Do not over tighten as this could cause damage to glass.
  12. Reconnect main electrical supply at the fuse box/ circuit breaker and test the fixture.



**Note: This lamp comes with a non-replaceable LED panel.**

**\*\*To clean, use a soft cloth only. Do not use any chemical or abrasive cleaners.\*\***