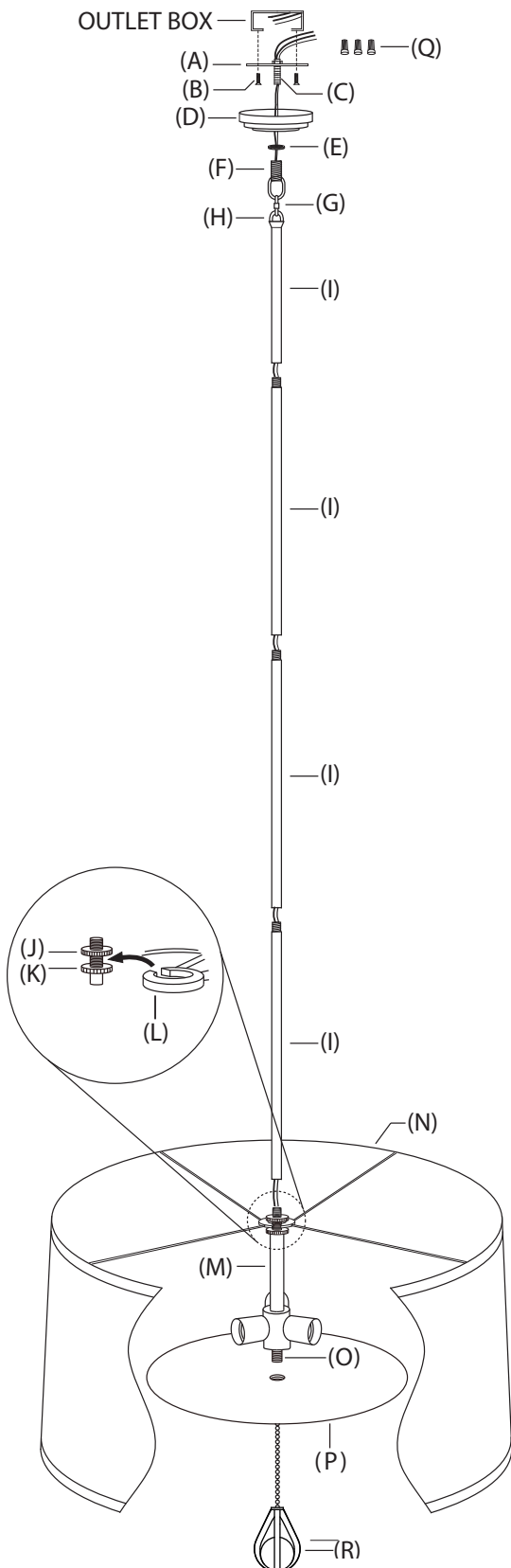


## ASSEMBLY INSTRUCTIONS FOR YOUR WILLIAMSBURG CUSTIS PENDANT



### IMPORTANT SAFETY INSTRUCTIONS:

- \* These instructions are provided for your safety. It is very important that they are read completely before beginning the installation of your fixture.
- \* **WE STRONGLY RECOMMEND INSTALLATION BY A LICENSED ELECTRICIAN.**
- \* Turn off power at switch before replacing bulbs, making sure fixture has had sufficient time to cool down.
- \* Finial (R) is strictly decorative. **DO NOT PULL ON FINIAL (R) FOR ANY REASON.**

### ASSEMBLY INSTRUCTIONS:

1. SHUT OFF THE MAIN ELECTRICAL SUPPLY AT FUSE BOX/ CIRCUIT BREAKER.
2. Remove all parts from carton. Do not throw away any parts.
3. Remove cross bar (A) from hang straight (F) by unthreading tube (C) from hang straight (F). Affix cross bar (A) (including threaded tube (C) to ceiling outlet box using cross bar screws (B) provided.
4. Measure desired drop for fixture to hang and add/remove extension tubes (I). Guide wiring through extension tubes before threading tubes together.  
\*\*ADD/REMOVE EXTENSIONS: (Un)Thread the threaded nipple of one extension into the threaded opening of the next extension. Make sure wiring is pulled tight when threading extensions together to prevent damage to the wire\*\*
5. Connect hang straight (F) and loop (H) with quick link (G).
6. Thread bottom extension tube (I) onto the threaded nipple at top of tube (M).
7. Unthread collar (E) from hang straight (F). Slide collar (E) and canopy (D) down hang straight (F), quick link (G) and extension tube (I). Let collar (E) and canopy (D) rest on shade washer (J).
8. Lift fixture to ceiling outlet box. Guide wiring through threaded tube (C). Thread hang straight (F) onto threaded tube (C).
9. Make proper electrical connection. A LICENSED ELECTRICIAN IS RECOMMENDED.
10. Attach ground wire from fixture (green or copper in color) to ground wire from outlet box. Fasten wires together with wire nut (Q) and tightly wrap connection with electrical tape.
11. Attach hot wire from fixture (black in color or smooth side of wire) to hot wire from outlet box. Fasten wires together with wire nut (Q) and tightly wrap connection with electrical tape.
12. Attach neutral wire from fixture (white in color or ribbed side of wire) to neutral wire from outlet box. Fasten wires together with wire nut (Q) and tightly wrap connection with electrical tape.
13. Slide canopy (D) up extension tubes (I) and hold firmly against ceiling. Slide collar (E) up extension tubes (I) and thread onto hang straight (F), securing canopy (D) against ceiling.
14. Lift shade (N) over bottom section of fixture. Slide split washer (L) between shade washer (J) and shade washer (K). Secure position of shade (N) by turning shade washer (J) clockwise until it rests firmly against split washer (L).
15. Install three (3) 100W Max., Type A, medium base bulbs into sockets.
16. Carefully thread metal diffuser (P) onto tube (O). Turn until hand tight.
17. Reconnect power and test the fixture.

\*\*\*To clean, use soft cloth only. Do not use any chemical or abrasive cleaners.\*\*\*