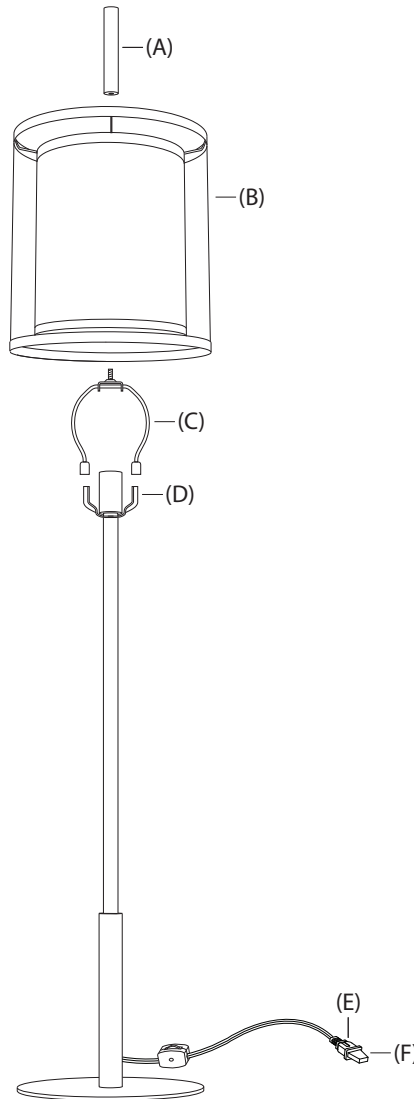


ASSEMBLY INSTRUCTIONS FOR YOUR
SATURNIA BUFFET TABLE LAMP



IMPORTANT SAFETY INSTRUCTIONS

- *This portable lamp has a polarized plug (one blade is wider than the other) as a feature to reduce risk of electric shock.
- *This plug will fit in a polarized outlet only one way. If it does not fit fully in the outlet, reverse the plug. If it still does not fit, contact a qualified electrician. Never use with an extension cord unless the plug can be fully inserted.
- *DO NOT ALTER THE PLUG.
- *Turn the power off (remove electrical plug from outlet) before replacing light bulb, making sure the bulb has cooled.
- *Do not subject the lamp to any shock while lit as shattering of bulb may result.

ASSEMBLY INSTRUCTIONS:

NOTE: Do not connect the electricity until lamp is fully assembled.

1. Remove all parts from carton. Do not throw away any parts.
2. Place the lamp base on level surface.
3. Remove finial (A) from harp (C).
4. Squeeze harp (C) inward and place into the opening of saddle (D).
5. Place shade (B) onto harp (C).
6. Screw finial (A) onto harp (C) to secure the shade to the lamp.
7. Insert one (1) 60W MAX. G16.5 Candelabra base bulb into the socket.
8. Remove protective plastic (F) from polarized plug (E). Insert polarized plug (E) into wall outlet.

* To clean, use a soft cloth only. Do not use any chemical or abrasive cleaners.