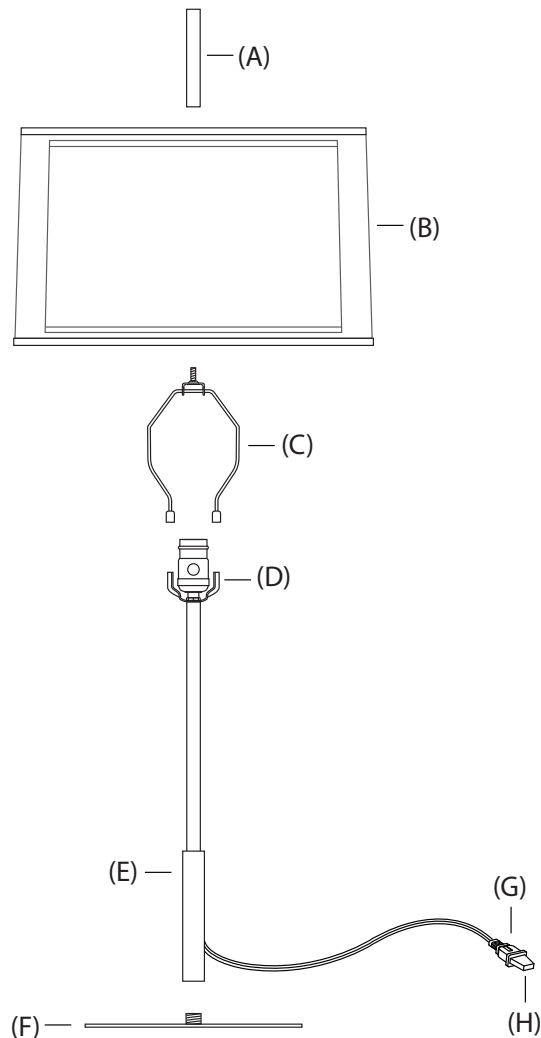


ASSEMBLY INSTRUCTIONS FOR YOUR
SATURNIA TABLE LAMP



IMPORTANT SAFETY INSTRUCTIONS:

This portable lamp has a polarized plug (one blade is wider than the other) as a feature to reduce risk of electric shock, this plug will fit in a polarized outlet only one way. If it does not fit fully in the outlet, reverse the plug. If it still does not fit, contact a qualified electrician. Never use with an extension cord unless plug can be fully inserted. Do NOT alter the plug. Turn the power off (remove plug from wall outlet) before replacing the bulb, making sure the bulb has had sufficient time to cool down. Do not subject the lamp to any shock while lit as shattering of bulb may result.

ASSEMBLY INSTRUCTIONS:

NOTE: Do not connect electricity until lamp is fully assembled.

1. Remove lamp parts from packaging. Do not throw away any parts.
2. Insert threaded nipple on base (F) into opening in the bottom of column (E). Turn until hand tight.
3. Remove finial (A) from harp (C). Squeeze harp (C) inward and place into the opening of harp saddle (D).
4. Slide center ring of shade spider, located inside shade (B), over threaded nipple on harp (C).
5. Screw finial (A) onto threaded nipple on harp (C) to secure shade (B) to lamp.
6. Install one (1) 150W max. Type A, medium base bulb into socket.
7. Remove protective plastic (H) from polarized plug (G).
8. Insert polarized plug (G) into wall outlet.

** To clean, use a soft cloth only. Do not use any chemical or abrasive cleaners. **