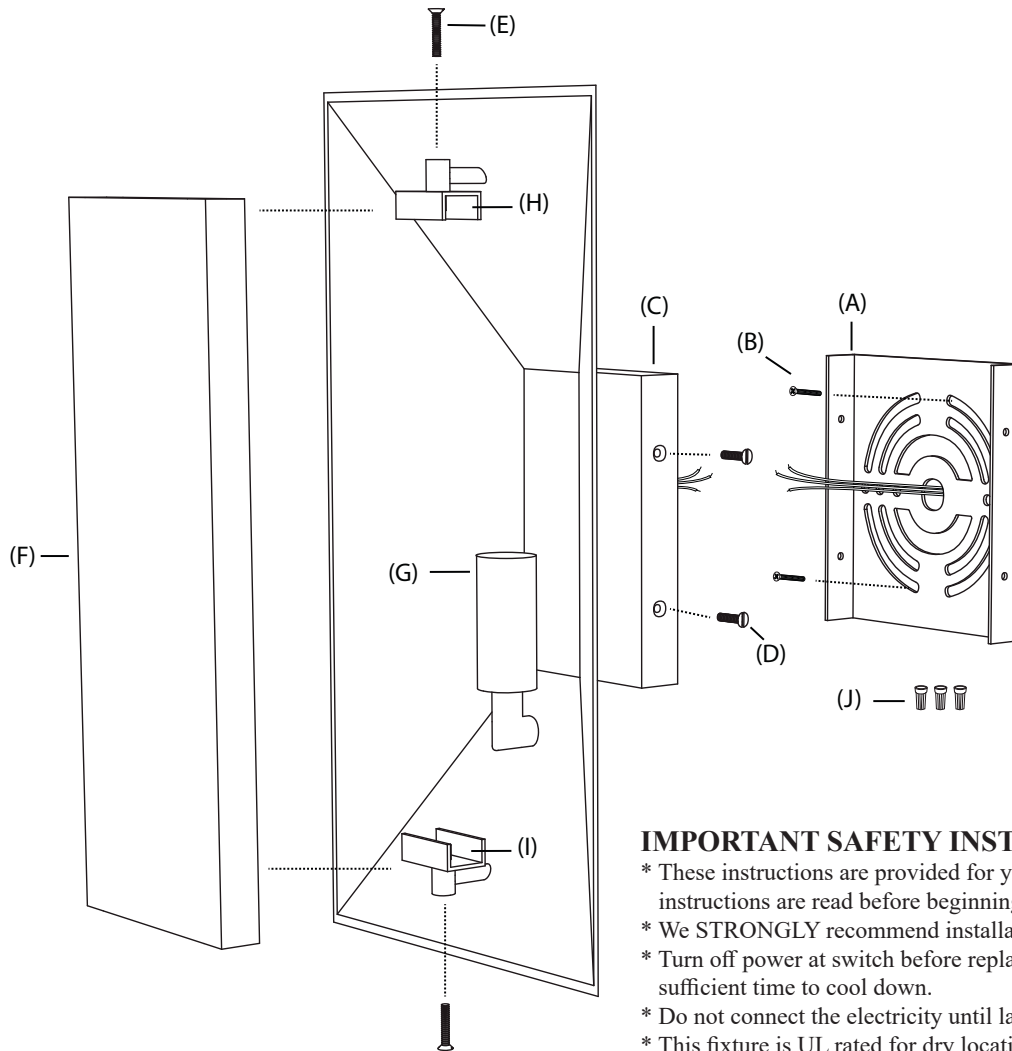


ASSEMBLY INSTRUCTIONS FOR YOUR GEMMA WALL SCONCE



IMPORTANT SAFETY INSTRUCTIONS:

- * These instructions are provided for your safety. It's important that all safety instructions are read before beginning installation of fixture.
- * We **STRONGLY** recommend installation by a licensed electrician.
- * Turn off power at switch before replacing bulbs, making sure fixture has had sufficient time to cool down.
- * Do not connect the electricity until lamp is fully assembled.
- * This fixture is UL rated for dry locations.

DIRECT WIRE ASSEMBLY INSTRUCTIONS:

1. SHUT OFF MAIN ELECTRICAL SUPPLY FROM THE MAIN FUSE BOX/CIRCUIT BREAKER. IT IS RECOMMENDED THAT A LICENSED ELECTRICIAN INSTALL THIS FIXTURE.
2. Remove mounting plate (A) from backplate (C) by removing screws (D).
3. Carefully pull the wiring from wall outlet box. Thread wires through the center hole in mounting plate (A).
4. Affix mounting plate (A) to wall outlet box with mounting screws (B) provided.
5. Lift fixture to mounting plate and make proper electrical connections described in steps 6-8. A LICENSED ELECTRICIAN IS RECOMMENDED.
6. Connect ground (green or silver in color) wire from fixture to ground wire in the outlet box. Fasten wires together with wire nut (J) and tightly wrap the connection with electrical tape.
7. Attach hot wire from fixture (black in color or smooth side of wire) to hot wire from outlet box. Fasten wires together with wire nut (J) and tightly wrap connection with electrical tape.
8. Attach neutral wire from fixture (white in color or ribbed side of wire) to neutral wire from outlet box. Fasten wires together with wire nut (J) and tightly wrap connection with electrical tape.
9. Carefully push wire connections back into wall outlet box. Slide backplate (C) over mounting plate (A).
10. Thread screws (D) into holes on sides of the backplate (C) to secure the fixture to the mounting surface.
11. Insert one 60W MAX. Type B, candelabra base bulb into socket (G).
12. Back screws (E) out of brackets (H) and (I). Slide rock crystal slab (F) into brackets and secure in place by tightening screws (E) into the brackets until tight. Note: Do not overtighten screws as this could damage the rock crystal slab.
13. Reconnect main electrical supply at the fuse box/circuit breaker and test fixture.

* To clean, use a soft dry cloth. Do not use any chemical or abrasive cleaners. *