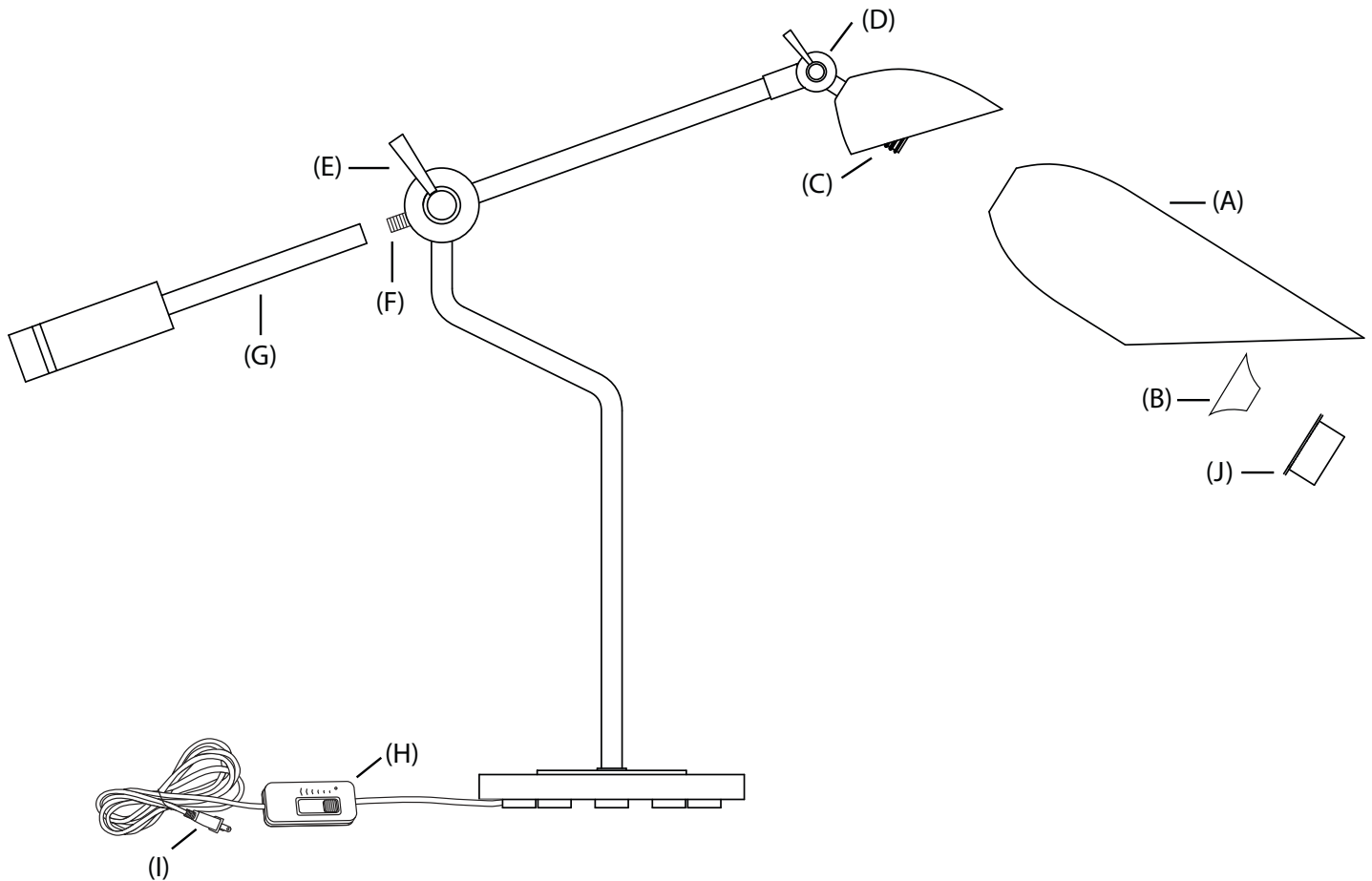


ASSEMBLY INSTRUCTIONS FOR YOUR FERDINAND TABLE LAMP



IMPORTANT SAFETY INSTRUCTIONS:

- * This lamp has a polarized plug (one blade is wider than the other) as a feature to reduce the risk of electric shock. This plug will fit in a polarized outlet only one way. If it does not fit fully in the outlet, reverse the plug. If it still does not fit, contact a qualified electrician. Do NOT alter the plug.
- * Do not use with an extension cord unless the plug from the lamp can be fully inserted into the extension cord receptacle.
- * Switch power off and remove plug from the wall outlet before replacing the bulb.
- * This lamp is UL rated for dry locations.

ASSEMBLY INSTRUCTIONS

NOTE: Do not connect electricity until lamp is fully assembled.

1. Unpack all parts and remove packing materials. Place lamp base on a level surface.
2. Thread arm (G) onto threaded tube (F).
3. Remove flange (B) from socket (C).
4. Place shade (A) onto socket (C).
5. Slide socket cover (B) over socket (C). Thread flange (J) back onto socket (C) to secure shade to fixture.
6. Install one 60W MAX. Type A, medium base bulb into the socket (C).
7. To adjust shade (A) position, loosen knob (D). Gently move shade into desired position. Turn knob (D) until hand tight to secure shade in position.
8. To adjust position of arm (G), loosen knob (E). Move arm (G) into desired position. Turn knob (E) until hand tight to secure arm in position.
9. Insert polarized plug (I) into wall outlet.
10. Control power to the fixture by operating full range dimmer (H).

To clean, use a soft dry cloth. Do not use any chemical or abrasive cleaners.