

ASSEMBLY INSTRUCTIONS FOR YOUR CHASE 24" BATH SCONCE

IMPORTANT SAFETY INSTRUCTIONS:

*These instructions are provided for your safety. It is very important that they are read completely before beginning the installation of your fixture.

***WE STRONGLY RECOMMEND INSTALLATION BY A LICENSED ELECTRICIAN.**

*Turn off power at switch before replacing bulbs, making sure fixture has had sufficient time to cool down.

*DO NOT subject the fixture to any shock while lit as shattering of bulbs may result.

ASSEMBLY INSTRUCTIONS:

1. SHUT OFF ELECTRICAL SUPPLY FROM MAIN FUSE BOX / CIRCUIT BREAKER.
2. Remove all parts from carton. Do not throw away any parts.
3. Set backplate (A) on level surface. Carefully open metal frame (B).
4. Remove shade stop (F) from one side of metal frame (B) by removing screws (H) and washers (G). NOTE: Both sides of metal frame (B) have a shade stop. Only remove one shade stop.
5. Align glass shade (E) with metal frame (B). Carefully rotate glass shade (E) into metal frame (B) as shown in FIGURE A. NOTE: One side of glass shade (E) should rest against step on shade stop remaining in metal shade (B). Repeat step for each glass shade.
6. Align loose shade stop (F) with glass shades (E), making sure step on shade stop (F) rests securely against edges of installed glass shades (E).
7. Align washers (G) with holes in shade stop (F) and metal frame (B). Insert screws (H) through openings in washers (G) and shade stop (F) into threaded holes in metal frame (B).
8. Lift backplate (A) to outlet box and make proper electrical connection. A licensed electrician is recommended.
9. Attach ground wire from fixture (green or copper in color) to ground wire from outlet box.
10. Attach hot wire from fixture (black in color or smooth side of wire) to hot wire from outlet box. Fasten wires together with wire nut (D) and tightly wrap connection with electrical tape.
11. Attach neutral wire from fixture (white in color or ribbed side of wire) to neutral wire from outlet box. Fasten wires together with wire nut (D) and tightly wrap connection with electrical tape.
12. Gently push wires back into outlet box.
13. Affix back plate (A) to outlet box using mounting screws (C) provided. NOTE: fixture can be mounted in vertical position or horizontal position.
14. Insert four (4) 60W MAX B-11 medium base torpedo bulbs into the sockets.
15. Carefully close metal frame (B), making sure it connects securely with backplate (A).

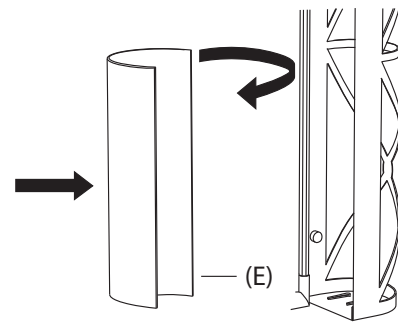
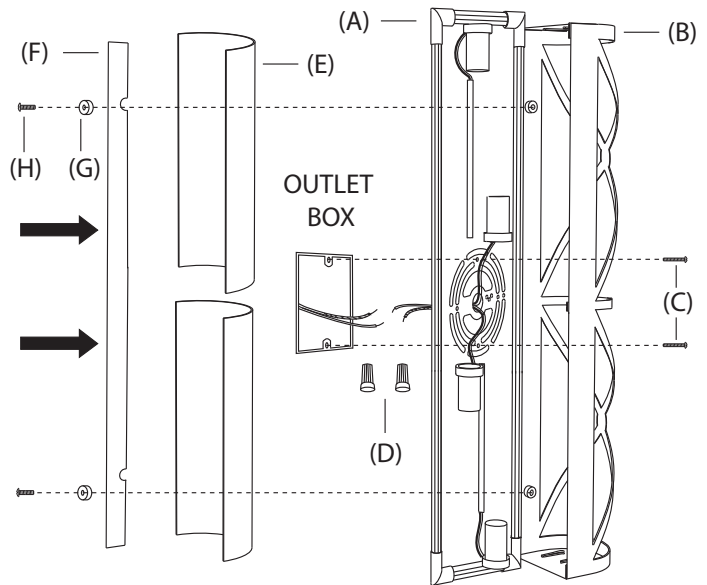


FIGURE A