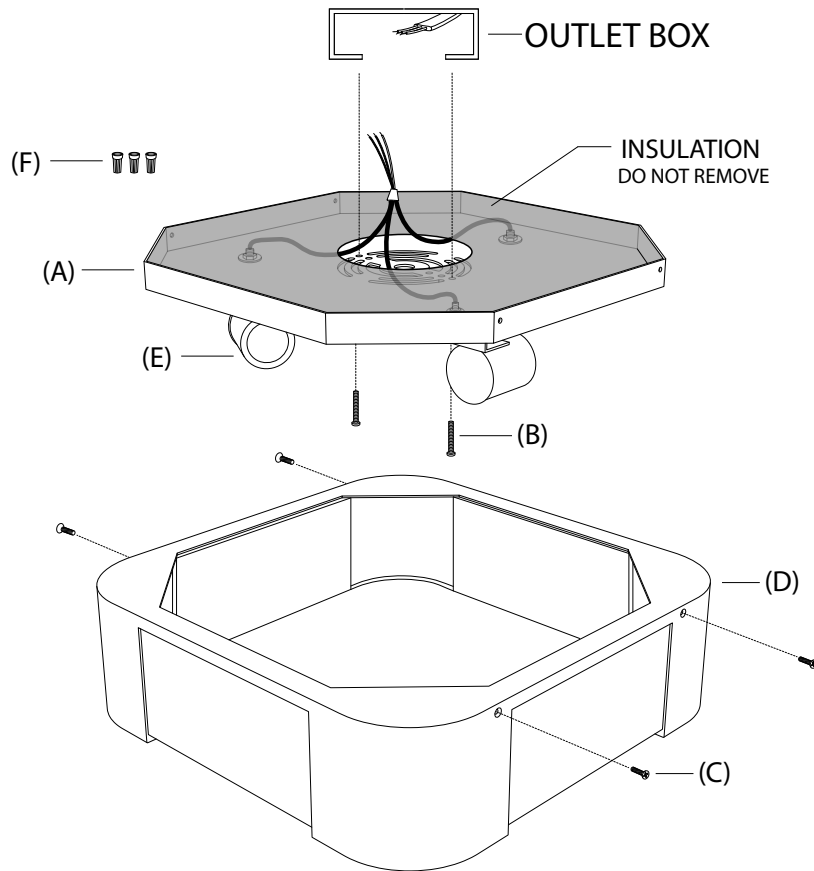


ASSEMBLY INSTRUCTIONS FOR YOUR BRYCE FLUSHMOUNT



IMPORTANT SAFETY INSTRUCTIONS:

- * These instructions are provided for your safety.
- * It is very important that they are read completely before beginning the installation of your fixture.
- * **WE STRONGLY RECOMMEND INSTALLATION BY A LICENSED ELECTRICIAN.**
- * If any special control devices are used with this fixture, follow the instructions carefully to assure full compliance with N.E.C. requirements. If there are any questions, contact a qualified electrical contractor.

ASSEMBLY INSTRUCTIONS:

1. SHUT OFF THE MAIN ELECTRICAL SUPPLY FROM THE MAIN FUSE BOX/ CIRCUIT BREAKER.
2. Remove all parts from carton and discard packing materials. Place the parts on a level surface.
3. Remove mounting plate (A) from shade (D) by removing screws (C). Set screws (C) aside. Lift mounting plate (A) to the ceiling outlet box.
4. Make the proper electrical connections noted in steps 5 through 7. A LICENSED ELECTRICIAN IS RECOMMENDED.
5. Attach ground wire from fixture (green or copper in color) to ground wire from outlet box. Fasten wires together with wire nut (F) and tightly wrap connection with electrical tape.
6. Attach hot wire from fixture (black in color or smooth side of wire) to hot wire from outlet box. Fasten wires together with wire nut (F) and tightly wrap connection with electrical tape.
7. Attach neutral wire from fixture (white in color or ribbed side of wire) to neutral wire from outlet box. Fasten wires together with wire nut (F) and tightly wrap connection with electrical tape. Gently push wire connections back into the ceiling outlet box.
8. Attach mounting plate (A) to ceiling outlet box using screws (B).
9. Install three 60W MAX. Type B, medium base bulbs into sockets (E).
10. Place shade (D) over mounting plate (A). Thread set screws (C) all the way through holes in shade (D), and into mounting plate (A).
11. Reconnect main electrical supply at the fuse box/ circuit breaker and test the fixture.

** To clean, use soft cloth only. Do not use any chemical or abrasive cleaners. **