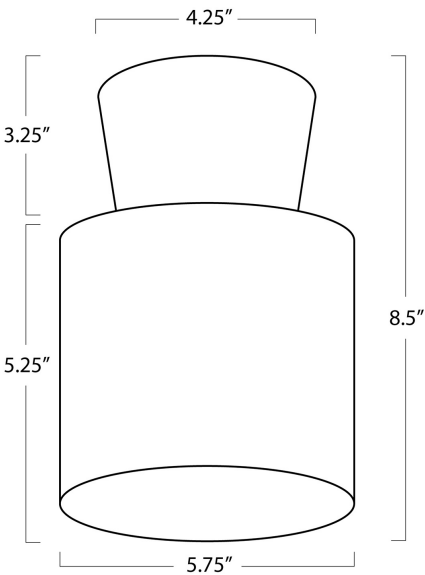


REGINA ANDREW

DETROIT

SPECIFICATION SHEET

Hazel Alabaster Flush Mount (Natural Brass)
16-1397NB



HEIGHT	8.5
WIDTH	5.75
DEPTH	5.75
SHADE DIMS	N/A
SHADE COLOR	N/A
BULB QTY	1
BULB TYPE	G9 LED
SOCKET	G 9
WATTAGE	3.5 Watt Max
WIRING TYPE	Hard Wire
MATERIAL	Alabaster
FINISH	Natural Stone
NOTES	N/A
FREIGHT ONLY	No