

INSTALLATION INSTRUCTIONS

Easy Connect Hardscape

7032/7062/7122/7182

WAC LIGHTING

Responsible Lighting®

CAUTION: TO PREVENT ELECTRICAL SHOCK, ENSURE ELECTRICITY HAS BEEN TURNED OFF AT THE CIRCUIT BREAKER BEFORE BEGINNING.

- Read all instructions before installing.
- System is intended for installation by a licensed electrician in accordance with the national electrical code (nec) and local regulations.
- When handling the fixture, do not apply pressure to the leds. Hold the fixture by the base only.

WARNING: All parts must be used as indicated in these instructions. This product is designed for use only with the supplied parts and/or accessories designated for use by WAC Lighting. Substitution of parts or accessories not designated for use with this product by WAC Lighting could result in personal injury or property damage and will void the warranty. Failure to follow this instruction may invalidate the ETL listing of this fixture. Contact an authorized dealer or the manufacturer if any parts are damaged or missing.

AVERTISSEMENT

IMPORTANT : Coupez l'électricité avant TOUTE manipulation.

- Lisez toutes les instructions avant d'installer.
- Système est destiné à être installé par un électricien qualifié en conformité avec le code national de l'électricité et les règlements locaux.
- Accédez au panneau central de disjoncteurs ou de fusibles de votre demeure et placez l'interrupteur principal en position d'arrêt (« OFF »).
- Placez l'interrupteur mural en position d'arrêt (« OFF »).

MISE EN GARDE

- Toutes les pièces doivent être utilisées tel qu'il est indiqué dans ces instructions. Ne remplacez pas les pièces, n'en laissez pas de côté et ne les utilisez pas si elles sont usées ou brisées. Le non-respect de ces instructions peut annuler l'homologation ETL/CETL du luminaire. MISE EN GARDE Ors de la manipulation de l'appareil, ne pas appliquer de pression à la LED, tenir l'appareil par la seule base.

ADVERTENCIA

IMPORTANTE: NUNCA intente hacer trabajos sin desconectar el suministro eléctrico.

- Lea y comprenda todas las instrucciones e ilustraciones por completo antes de proceder con el ensamblaje e instalación de esta lámpara.
- Sistema está diseñado para ser instalado por un electricista calificado, de acuerdo con el código eléctrico nacional y las normas locales.
- Diríjase a la caja de fusibles o a la caja del interruptor de circuito principal en su hogar. Coloque el interruptor de alimentación principal en la posición "OFF" (APAGADO).
- Coloque el interruptor de la pared en la posición "OFF" (APAGADO).

PRECAUCIÓN

- Todas las piezas deben usarse como lo indican estas instrucciones. No reemplace las piezas, no omita piezas durante la instalación ni utilice piezas gastadas o rotas. El incumplimiento de esta indicación podría invalidar la calificación ETL/CETL esta lámpara. PRECAUCIÓN Al manipular el aparato, no aplique presión a los LED, mantenga el aparato en la base sólo.

waclighting.com
Phone (800) 526.2588
Fax (800) 526.2585

Headquarters/Eastern Distribution Center
44 Harbor Park Drive
Port Washington, NY 11050

Central Distribution Center
1600 Distribution Ct
Lithia Springs, GA 30122

Western Distribution Center
1750 Archibald Avenue
Ontario, CA 91760



INSTALLATION INSTRUCTIONS

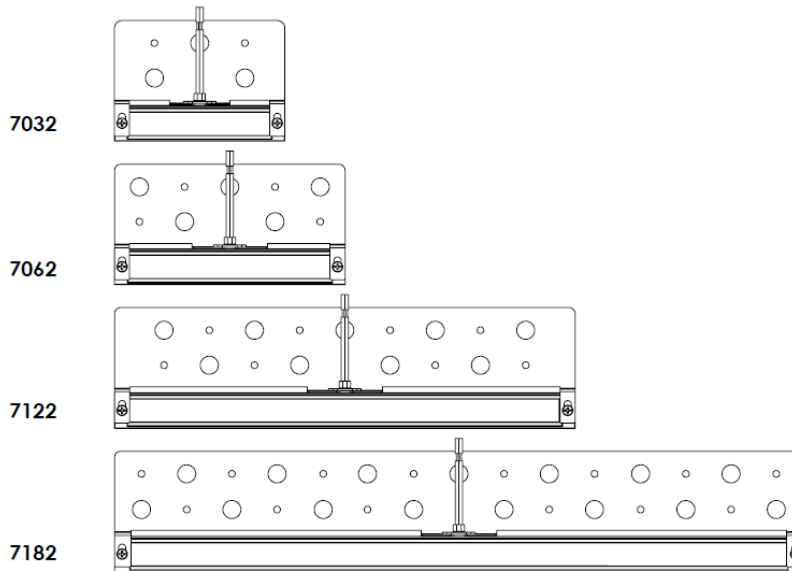
Easy Connect Hardscape

7032/7062/7122/7182

WAC LIGHTING

Responsible Lighting®

These instructions apply to the model(s) below:

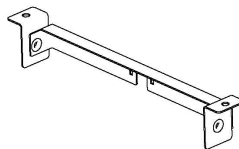


Installation Accessories



Outdoor Rated Wire Nut
Qty: 2pcs

7EAC352401



Rotating Clip and Bracket
Qty: 1pcs

7032 7062 7122 7182
BZ No.: 5MZH210023DZ, 5MZH210024DZ, 5MZH210025DZ, 5MZH210026DZ
GH No.: 5MZH210023GH, 5MZH210024GH, 5MZH210025GH, 5MZH210026GH
SD No.: 5MZH210023SD, 5MZH210024SD, 5MZH210025SD, 5MZH210026SD



No. 4 Mounting Screw
Qty: 2pcs

7MPF033002BK

wacighting.com
Phone (800) 526.2588
Fax (800) 526.2585

Headquarters/Eastern Distribution Center
44 Harbor Park Drive
Port Washington, NY 11050

Central Distribution Center
1600 Distribution Ct
Lithia Springs, GA 30122

Western Distribution Center
1750 Archibald Avenue
Ontario, CA 91760



INSTALLATION INSTRUCTIONS

Easy Connect Hardscape

7032/7062/7122/7182

WAC LIGHTING

Responsible Lighting®

SLAB MOUNTING

1. Make sure the main power supply is turned off.
2. Use a masonry hammer and chisel to remove the coping stone above the point of application (**Fig.3**).
3. Place the fixture in the desired position and mark where the wire will be leading on the stone below. In addition, mark the location of the two screw holes onto the stone below. Temporarily remove the fixture (**Fig.4**).
4. Use an angle grinder with a diamond-tipped blade to cut a groove along the wire marking. Make sure the groove is deep enough for the wire to rest flush with the stone the slab is on (**Fig.5**).

Fig. 3

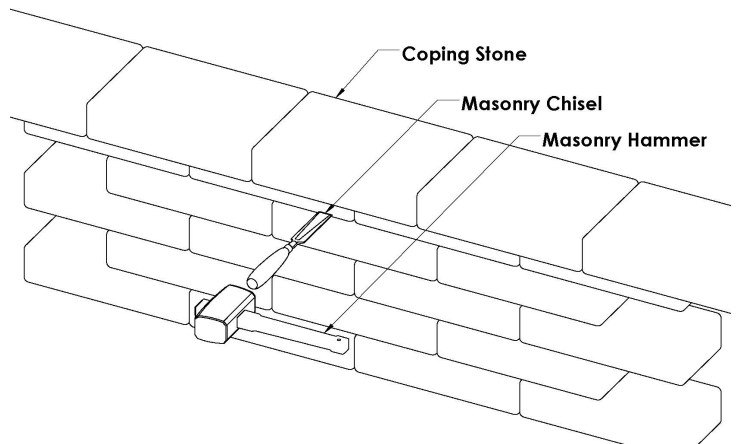


Fig. 4

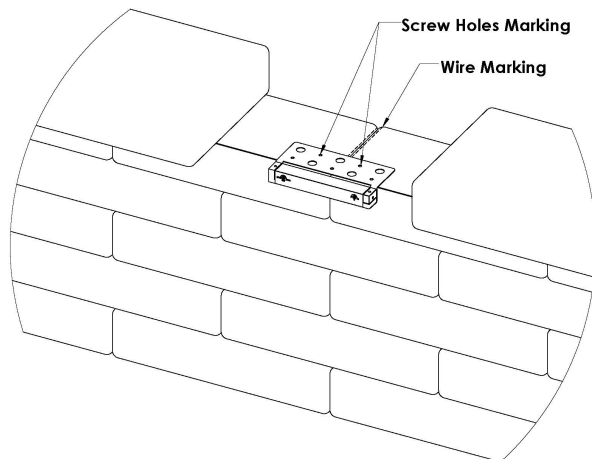
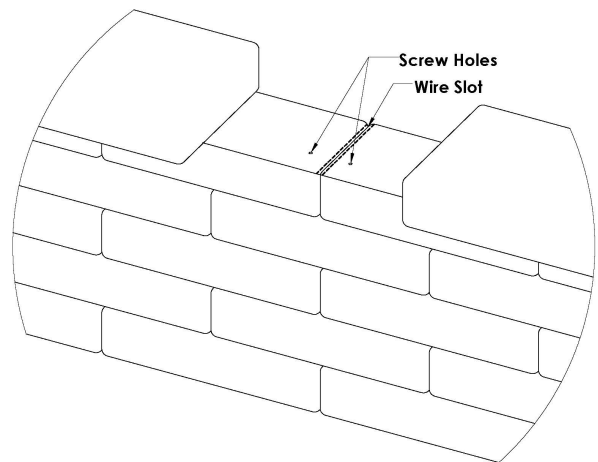


Fig. 5



waclighting.com
Phone (800) 526.2588
Fax (800) 526.2585

Headquarters/Eastern Distribution Center
44 Harbor Park Drive
Port Washington, NY 11050

Central Distribution Center
1600 Distribution Ct
Lithia Springs, GA 30122

Western Distribution Center
1750 Archibald Avenue
Ontario, CA 91760



INSTALLATION INSTRUCTIONS

Easy Connect Hardscape

7032/7062/7122/7182

WAC LIGHTING

Responsible Lighting®

5. Checking the required drill size for your flush mount plastic anchors for No. 4 screws, use a hammer drill with a masonry bit to drill out two holes at the screw locations.

NOTE: The depth of the hole should be slightly longer than the length of the plastic anchor.

6. Place the flush mount plastic anchor in the hole, using the back of a screwdriver to gently hammer it in.

7. Replace the fixture and screw the No. 4 screw into the plastic anchor, securing the fixture.

8. Connect the fixture wires to landscape wires connected to your transformer using the provided outdoor rated wire nuts (**Fig.6**).

9. Replace the coping stone on top of the fixture, using block adhesive to secure it in place (**Fig.7**).

DIRECT MOUNTING

I: Mount Horizontally

1. Remove the pre-installed slab mount bracket (**Fig. 8**).

- Unscrew the bracket screws and pull out the light engine from the slab mount bracket.
- Push the lead wire out of the slab mount bracket.
- Re-insert the lead wire back into the light engine.

2. Checking the required drill size for your flush mount plastic anchors for No. 4 screws, use a hammer drill with a masonry bit to drill out two holes at the screw locations.

NOTE: The depth of the hole should be slightly longer than the length of the plastic anchor.

3. Place the flush mount plastic anchor in the hole, using the back of a screwdriver to gently hammer it in (**Fig. 9**).

4. Replace the fixture and screw the No. 4 screw into the plastic anchor, securing the fixture.

5. Lead the fixture wires downward and connect them to the landscape wires connected to your transformer using the provided outdoor rated wire nuts.

Fig. 6

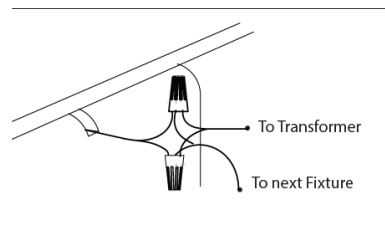


Fig. 7

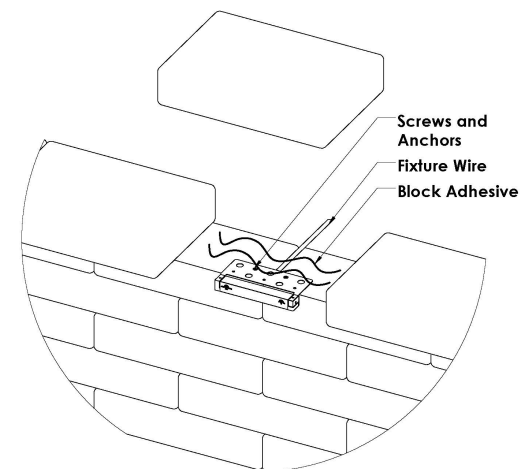


Fig. 8

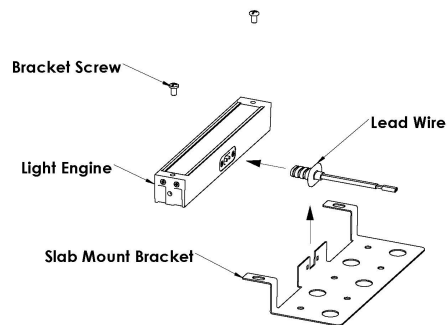
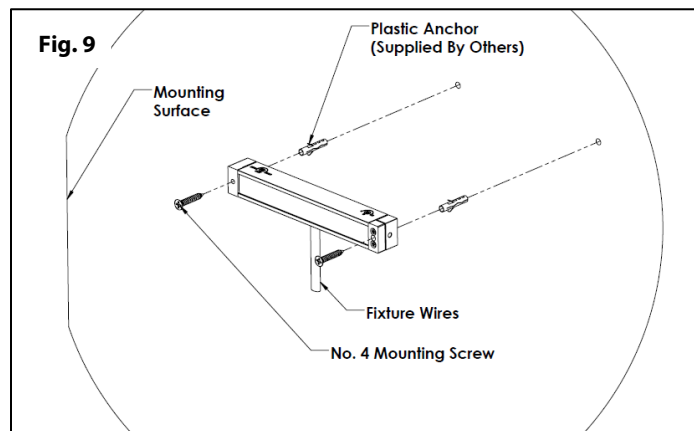


Fig. 9



waclighting.com
Phone (800) 526.2588
Fax (800) 526.2585

Headquarters/Eastern Distribution Center
44 Harbor Park Drive
Port Washington, NY 11050

Central Distribution Center
1600 Distribution Ct
Lithia Springs, GA 30122

Western Distribution Center
1750 Archibald Avenue
Ontario, CA 91760



INSTALLATION INSTRUCTIONS

Easy Connect Hardscape

7032/7062/7122/7182

WAC LIGHTING

Responsible Lighting®

CLIP MOUNTING (Rotation)

1. Remove the pre-installed slab mount bracket (**Fig.10**).
 - a. Unscrew the bracket screws and pull out the light engine from the slab mount bracket.
 - b. Push the lead wire out of the slab mount bracket.
 - c. Insert the lead wire into the rotating clip & bracket
 - d. Re-insert the lead wire assembly back into the light engine.
2. Using the same screws, attach one rotating clip on each end of the fixture (**Fig.10**).
3. Place fixture in the desired position and mark the location of the two screw holes.
4. Checking the required drill size for your flush mount plastic anchors for No. 4 screws, use a hammer drill with a masonry bit to drill out two holes at the screw locations.

NOTE: The depth of the hole should be slightly longer than the length of the plastic anchor (**Fig. 11**).
5. Place the flush mount plastic anchor in the hole, using the back of a screwdriver to gently hammer it in.
6. Replace the fixture and screw the No. 4 screw into the plastic anchor, securing the fixture.
7. Lead the fixture wires downward and connect them to the landscape wires connected to your transformer using the provided outdoor rated wire nuts.
8. In order to aim the fixture, loosen both screws on the clips, rotate and aim the fixture around its axis that is shown in the diagram (**Fig. 11**). Fix the location by tightening the screws on both ends.

Fig. 10

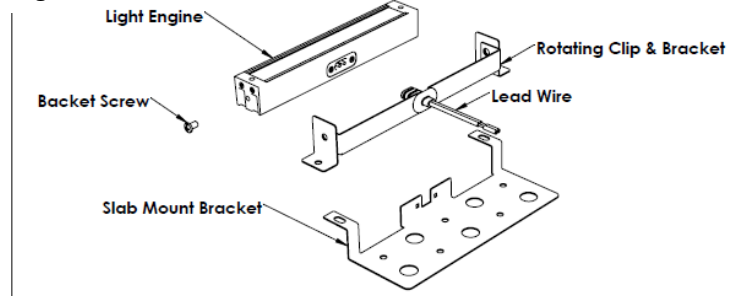
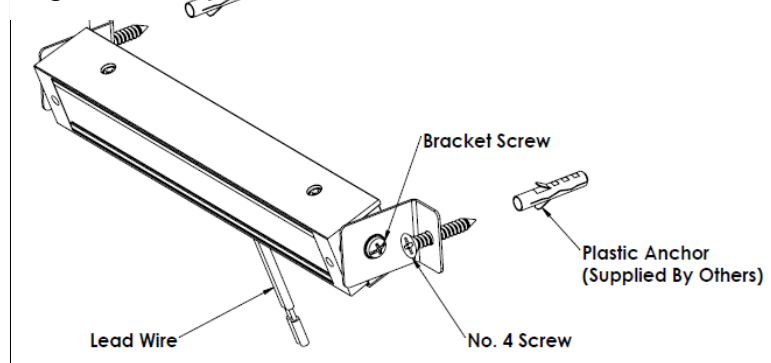


Fig. 11



INSTALLATION INSTRUCTIONS

Easy Connect Hardscape

7032/7062/7122/7182

WAC LIGHTING

Responsible Lighting®

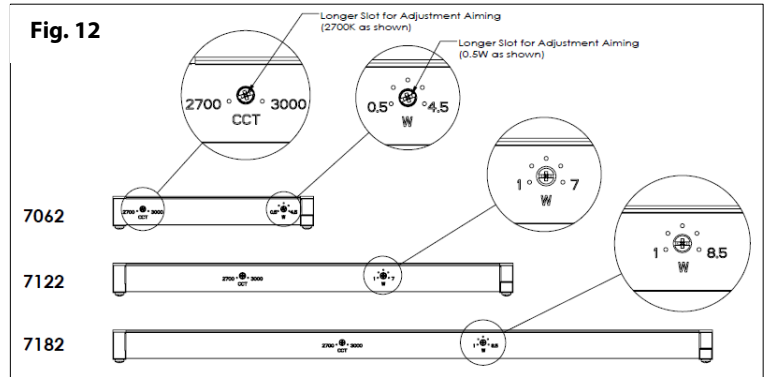
Dimming & CCT Switching Adjustment: (Fig. 12)

(**7032 is not equipped with Dimming & CCT Switching Functions**)

1. Use a Philips head screwdriver to adjust the dimming dial and the CCT dial.
2. Rotate until the dot on the dial is pointed at the desired wattage and CCT. The wattage may be adjusted to the pre-existing tabs/dots or any value in between.

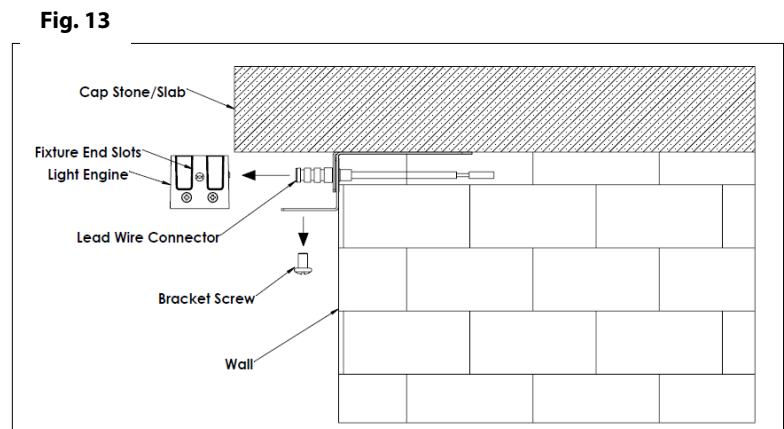
NOTE: The CCT dial must be fully turned to the left for 2700K or to the right for 3000K.

3. The lower the wattage, the dimmer the fixture will be.
4. There are two CCT settings available: 2700K or 3000K.



Light Engine Replacement: (Fig. 13)

1. Unscrew two bracket screws and keep them for later Installation.
2. Grab both ends of the light engine at the end slots with both hands and pull the light engine out from wall.
3. Align the new light engine with the lead wire connector. Push the light engine in firmly and lock it with the two bracket screws from step 1.
4. Turn on the light.



waclighting.com
Phone (800) 526.2588
Fax (800) 526.2585

Headquarters/Eastern Distribution Center
44 Harbor Park Drive
Port Washington, NY 11050

Central Distribution Center
1600 Distribution Ct
Lithia Springs, GA 30122

Western Distribution Center
1750 Archibald Avenue
Ontario, CA 91760

