

# LED Product Information and Warnings

## Important

- **Always disconnect the power before installing or replacing parts and before cleaning or other maintenance.**
- **Consult a qualified, licensed electrician to ensure correct branch circuit conductor.**
  
- Please read all included assembly instructions and warnings carefully before installation. Contact Customer Service if you have any questions or concerns. Before installation, please confirm that the fixture is compatible with your supply voltage and dimming system, if present.
- LEDs are highly sensitive electronic devices, and must be treated with care. Do not open any factory sealed compartments, and avoid touching the LEDs with your hands or any object.
- Although all our fixtures are equipped with protective devices, LED fixtures are vulnerable to power surges and supply variations. Do not install LED fixtures on the same circuit as any motors, appliances, or HVAC systems.
- Do not remove or bypass any LED Driver or Transformer that is provided with the fixture, and do not replace or substitute with another power supply.
- Remote LED Driver or Transformer installation must be done by a licensed electrician and in accordance with local codes. Remote installations should be in an accessible location, as close to the fixture as possible.
- Fixtures must be wired in parallel on independent leads; do not "daisy chain" multiple fixtures together or wire them in series.
- All factory-made splices and connections must remain intact unless otherwise specified. LED circuits are carefully designed and built, and improper connections may damage the fixture.
- The ends of coaxial pendant cords have been precisely stripped and split at the factory any changes done in the field must be done by following the instructions exactly. Excess cord or cable should be neatly coiled and reserved in the fixture canopy.
- Any mounting hardware is provided for your convenience and should be used with discretion. Always use the appropriate hardware for the mounting surface.

November 15, 2019

# Assembly Instructions

CPY.006.xx

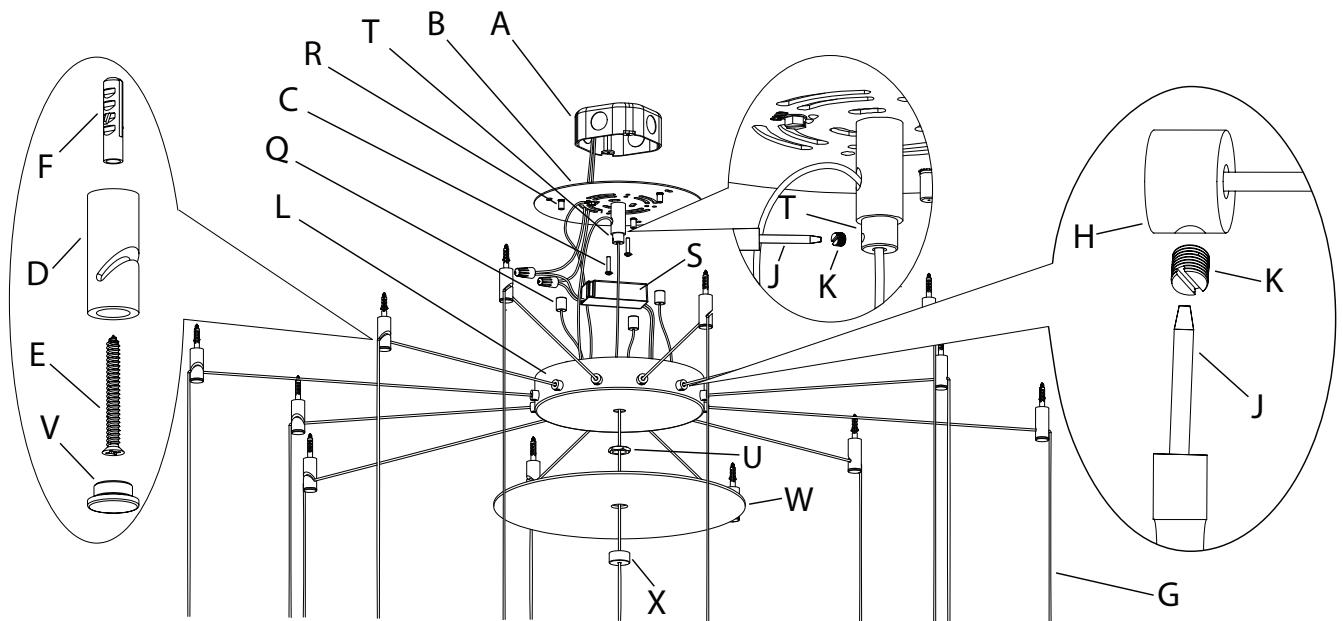
## INSTRUCTIONS D'INSTALLATION

13 Light Canopy with Swag Hooks Kit

### Important

- **Always disconnect the power before installing or replacing parts and before cleaning or other maintenance.**
- **Consult a qualified, licensed electrician to ensure correct branch circuit conductor.**  
*Consulter un électricien qualifié pour vous assurer que les conducteurs de la dérivation sont adéquats.*

1. Shut off power to the outlet box (A).
2. Refer to the pendant assembly instructions for any pendant preparation steps (if applicable).
3. Thread wires from outlet box (A) through mounting plate (B) then attach the mounting plate to the outlet box, secure with outlet box screws (C).
4. Determine the hanging location for each pendant. Attach the cord hooks (D) at the hanging locations using screw (E) and optional anchor (F) making sure the slot is pointing towards the canopy and install cap (V).
5. Feed the cord (G) through bushing (H). Determine the height at which the pendants are to be hung (be sure to account for length of cord across the ceiling). Use the screwdriver (J) to loosen the set screw (K). Adjust the pendant cord (G) to the desired length. Tighten the set screws to set. Reserve extra cord in canopy (L). Make sure to feed center cord through canopy nut (X), canopy plate (W), small canopy nut, canopy (L), and nipple (T).
6. Connect the fixture wires to the lever nuts (M) by pulling up on the lever for an empty slot, inserting the wire, and pushing the lever back down to lock. The inner stranded conductor (N) and the outer braided conductor (P) on each cord (G) must be connected to separate lever nuts, as shown (Fig. 1). Reserve extra cords (G) and lever nuts (M) in the canopy (L). If shortening of the cords is necessary refer to Appendix A.
7. Screw the three safety cable couplings (Q) to the short studs (R) on the mounting plate (B).
8. Support the fixture and make appropriate electrical connections using wire nuts:
  - a. Connect the driver's (S) live wire (black) to the outlet box (A) live wire.
  - b. Connect the driver's neutral wire (white) to the outlet box neutral wire.
  - c. Connect fixture's ground wire (green or uncoated) to the outlet box ground wire. If no ground is present in outlet box, connect fixture's ground wire to the mounting plate (B) using the green screw (included).
  - d. Carefully place connections in the canopy (L).
9. Attach canopy (L) to nipple (T), secure with small canopy nut (U).
10. Hook pendant cords (G) onto cord hooks. Make any final adjustments to pendant cords. **CAUTION: Do not adjust cord lengths when they are hung on cord hooks (D). Always take cords off the hooks then adjust length. Place cords back on hooks when finished.**
11. Attach canopy plate (W) to canopy (L) using large canopy nut (X).
12. Complete fixture assembly per the corresponding pendant assembly instructions.



### Note

- See markings on LED driver for compatible dimmer types.

### Care Instructions

- **Dusting: Use a clean, dry cloth.**
- **Cleaning: To protect the finish, avoid any harsh abrasives or chemicals.**

November 15, 2019

# Assembly Instructions

CPY.006.xx

INSTRUCTIONS D'INSTALLATION

13 Light Canopy with Swag Hooks Kit

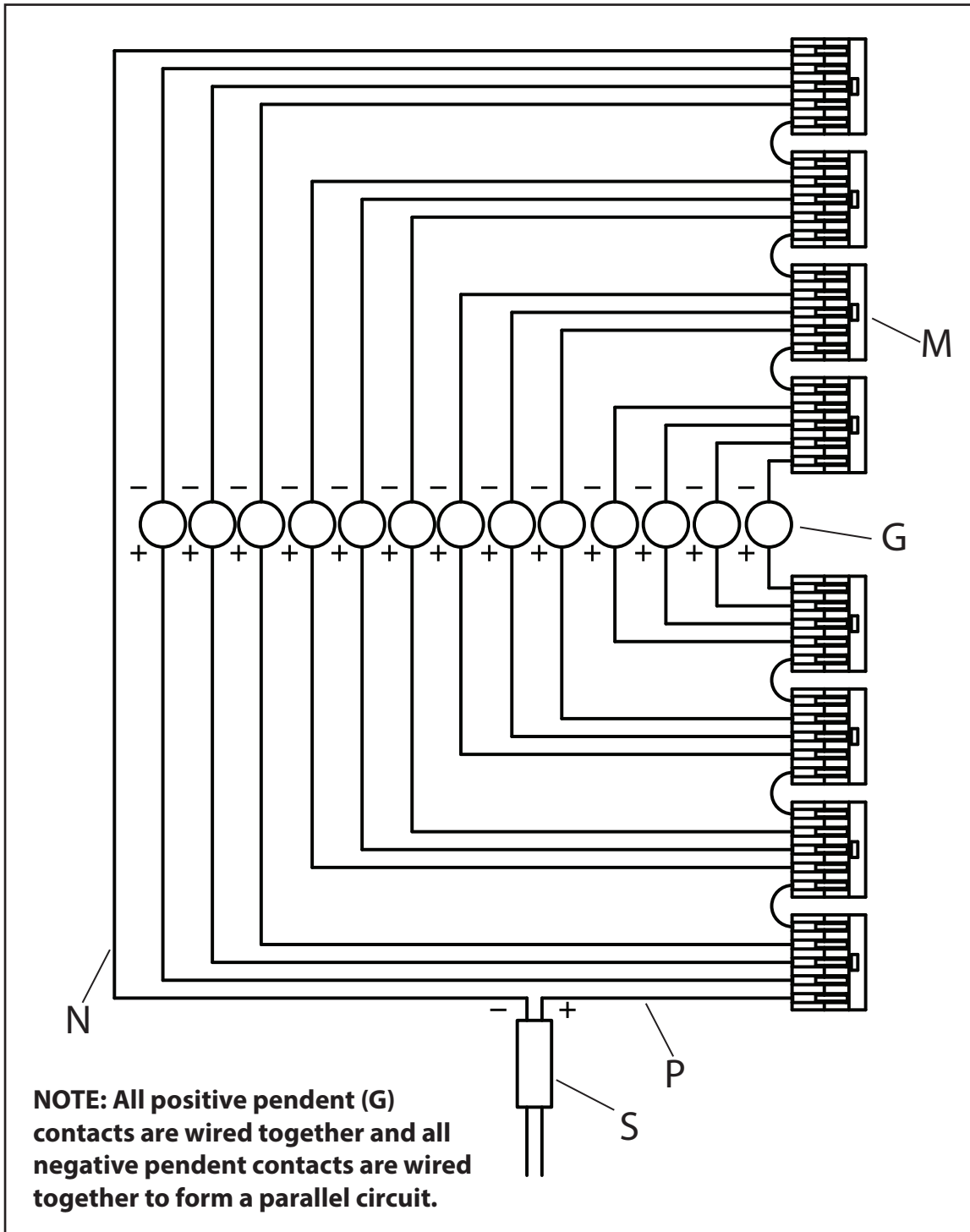


Fig. 1

# Assembly Instructions

CST.2900K-xx

## INSTRUCTIONS D'INSTALLATION

Papillons Series - Cordset

### Important

- Always disconnect the power before installing or replacing parts and before cleaning or other maintenance.
- Consult a qualified, licensed electrician to ensure correct branch circuit conductor.  
*Consulter un électricien qualifié pour vous assurer que les conducteurs de la dérivation sont adéquats.*

1. Shut off power to the outlet box.
2. Install canopy and spreader (if applicable) using the corresponding assembly instructions.
3. Fig. 1 - Install each shade by lowering the shade connector (A) over the cord collar (B), sliding it forward until it stops, then tightening the shade screw (C). If the shade connector can't move forward, first loosen the screw slightly. Fig. 2 shows completed shade.
4. Restore power to the fixture.

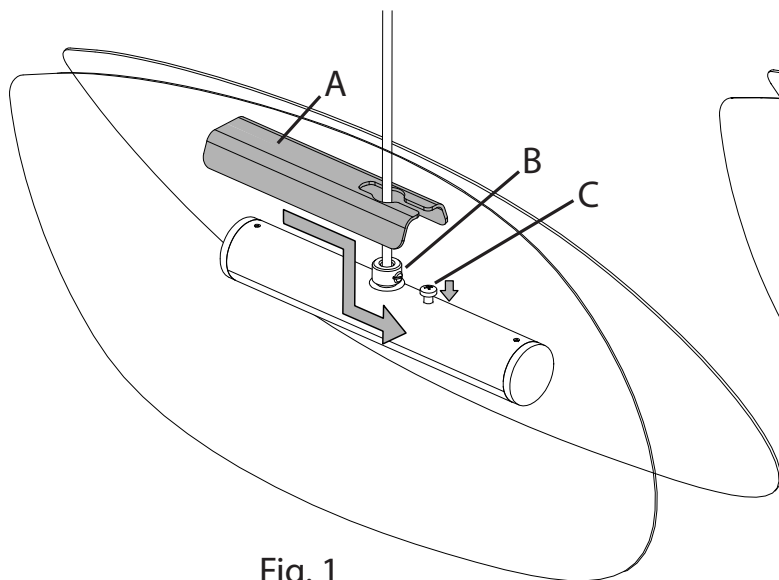


Fig. 1

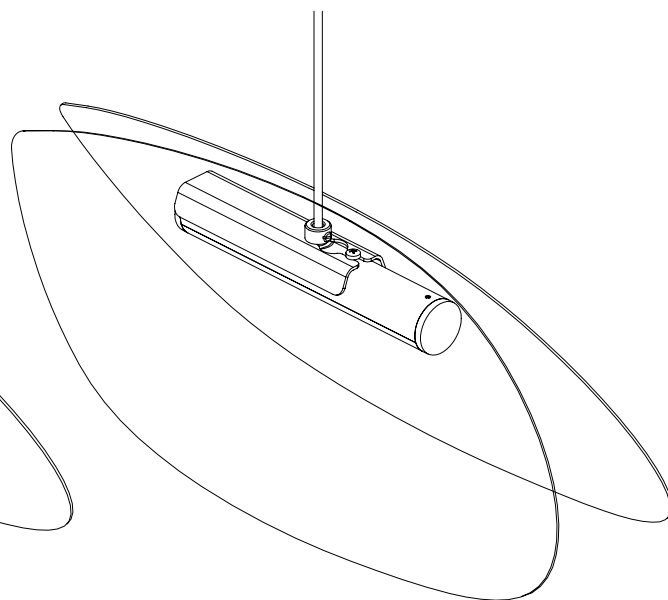


Fig. 2

### Care Instructions

- **Dusting:** Use a clean, dry cloth.
- **Cleaning:** To protect the finish, avoid any harsh abrasives or chemicals.

# Assembly Instructions

CPY.006.xx

## INSTRUCTIONS D'INSTALLATION

### 13 Light Canopy with Swag Hooks Kit

If field-cutting is required, please follow the below instructions:

1. Make a 1" slice along the length of the cord's outer jacket (Fig. 1). **CAUTION: Do not cut through the outer braided conductor.**
2. Carefully strip the outer jacket of the cord and keep the outer braided conductors intact (Fig. 1).
3. Slide the outer braided conductor back to create a bulge and reveal the inner jacketed conductor (Fig. 2).
4. Bend the cord to create an opening through the bunched-up portion of outer braided conductor, then pull out the inner jacketed conductor (Fig. 3)
5. Twist together the outer braided conductor to form the negative wire of the fixture, then strip 5/8" off the end of the inner jacketed conductor to form the positive wire of the fixture (Fig. 4).
6. Re-splice all power cords per wiring diagram on Page 4.

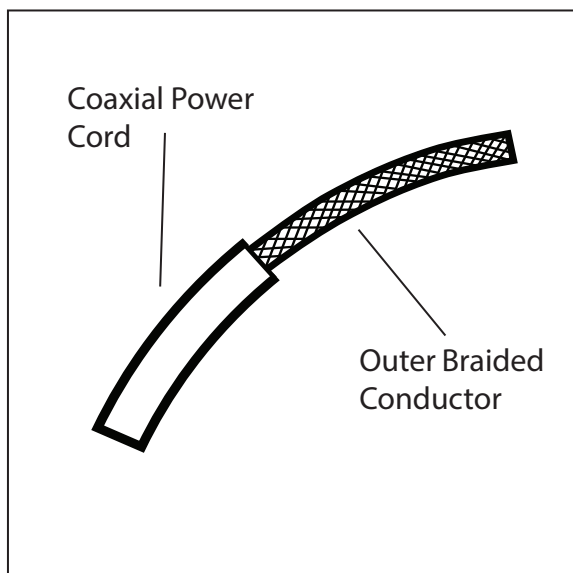


Fig. 1

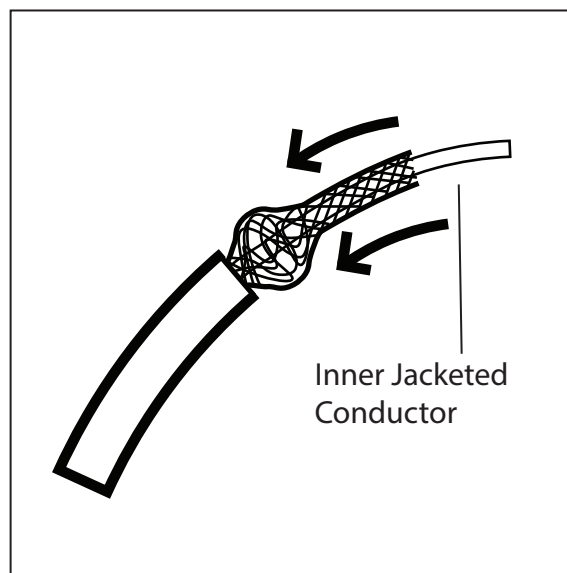


Fig. 2

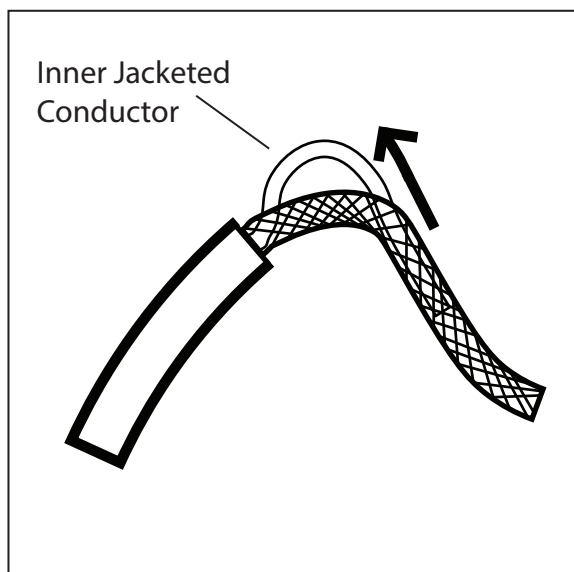


Fig. 3

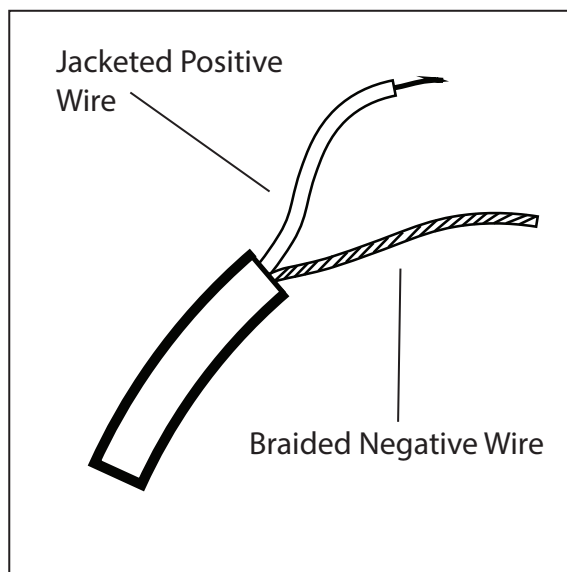


Fig. 4