

PALESTRA LARGE PENDANT

PRODUCT FEATURES

- Artisanal hand-crafted Venetian pendant light
- Tightly wound spiral trimming creates an elegant appearance
- Large-scale pendant perfect for commercial and consumer lighting applications
- Ideal for dining rooms, home offices and foyers
- Available lamping options include energy efficient LED or no-lamp, leaving you the option to light this fixture with your preferred lamping
- Protected by a 1-year warranty, please visit the "About Us" Page on techlighting.com for more for warranty details



Nightshade Black

LAMPING

Rated for (1) 120 volt, 100 watt max E26 medium base lamp (Lamp Not Included). LED version includes 120 volt 12 watt, 900 delivered lumens 3000K medium base LED G40 lamp. Black and Brass finishes include 6 feet of field-cuttable black cloth cord. Satin Nickel finish ships with 6 feet of field-cuttable satin cable. Dimmable with most LED compatible ELV and TRIAC dimmers.



Natural Brass

Natural Brass alternate bulb

Nightshade Black

Nightshade Black alternate bulb

To view all available finish options, please visit techlighting.com

ORDERING INFORMATION

700	SYSTEM	PALP	COLOR	FINISH	LAMP
	TD LINE-VOLTAGE PENDANTS/SUSPENSION		OC OPAL/CLEAR	NB NATURAL BRASS B NIGHTSHADE BLACK S SATIN NICKEL	NO LAMP -LED930 LED 80 CRI 3000K 120V

700 _____ PALP _____

JOB NAME _____

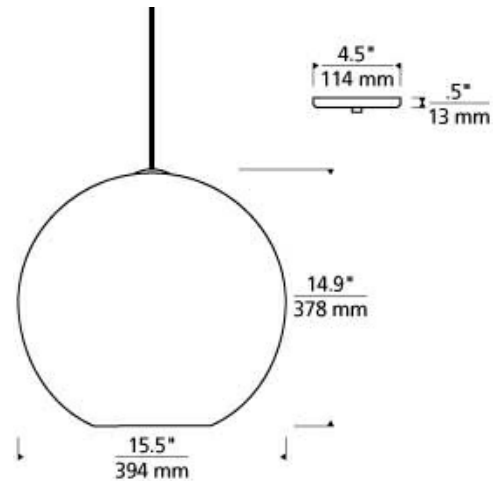
NOTES _____



PALESTRA LARGE PENDANT

SPECIFICATIONS

HARDWARE MATERIAL	Metal
SHADE MATERIAL	Glass
NET WEIGHT	12 lbs
HEIGHT	14.9in
WIDTH	15.5in
LENGTH	15.5in
UP LIGHT / DOWN LIGHT / BOTH?	
WET LISTED	
DAMP LISTED	Yes
DRY LISTED	
MIN. HANGING HEIGHT	21.4in
MAX HANGING HEIGHT	87.4in
TOTAL CORD LENGTH	72in
TOTAL STEM LENGTH	
STEM QTY	
SLOPED CEILING ADAPTABLE?	Yes 45° Max
GENERAL LISTING	ETL Listed
INCLUDES	



LAMPING SPECIFICATIONS

	LED LAMP	INTEGRATED LED	NON LED	NO LAMP
DELIVERED LUMENS	900			
WATTS	12			
MAX WATTAGE PER BULB	100W			100W
INPUT VOLTAGE	120V			120V
DIMMING TYPE*	ELV, TRIAC			ELV, TRIAC
CCT	3000K			
CRI	80 CRI			
LED LIFETIME				
L70	25000			
AVERAGE BULB HOURS				
FIELD SERVICEABLE LED				
LAMP BASE	E26 Medium Base			E26 Medium Base
LAMP SHAPE	G40			G40
LAMP INCLUDED?	Y			N
WARRANTY**	1 Year			1 Year

* Dimming information available at www.techlighting.com/Downloads#dimming

** Visit techlighting.com for specific warranty limitations and details.

T20 / T24 INFORMATION

	Integrated LED	Replacement LED Lamp	No Lamp *
This product can be used to comply with California Building Energy Efficiency Standards 2016 Title 24 Part 6.		No	N/A
This product can be used to comply with California Appliance Efficiency Standards 2016 Title 20 and may be shipped to and sold in California.		No	N/A

* If a light fixture or component does not include a lamp or light source, it is the responsibility of the customer to select a lamp that meets the T24 and T20 requirements.

