

Pablo®

PIXO

ASSEMBLY & INSTALLATION INSTRUCTIONS

TABLE OF CONTENTS

pg. 2-5.....	PIXO
pg. 6-9.....	PIXO WALL PIN-UP
pg. 10-13.....	PIXO WALL HARDWIRED



Pablo®

PIXO

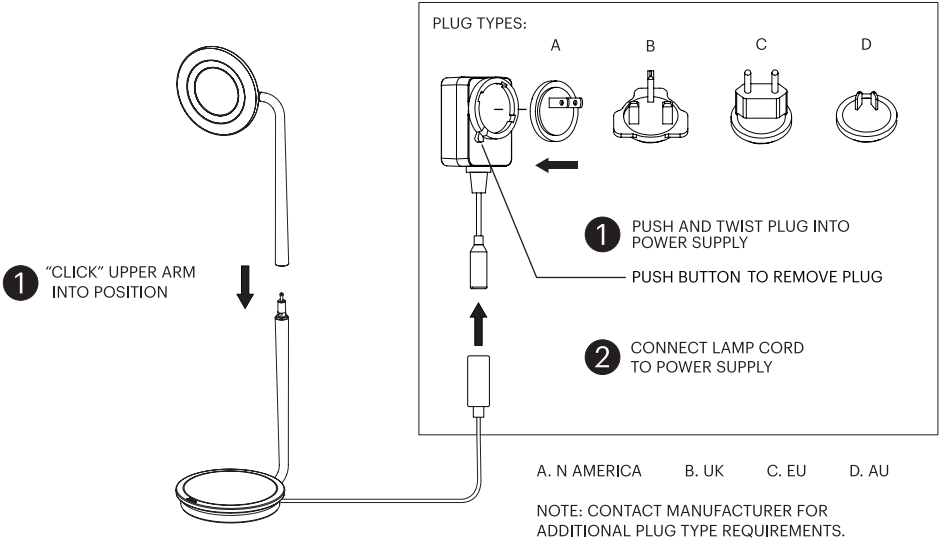
ASSEMBLY & INSTALLATION INSTRUCTIONS



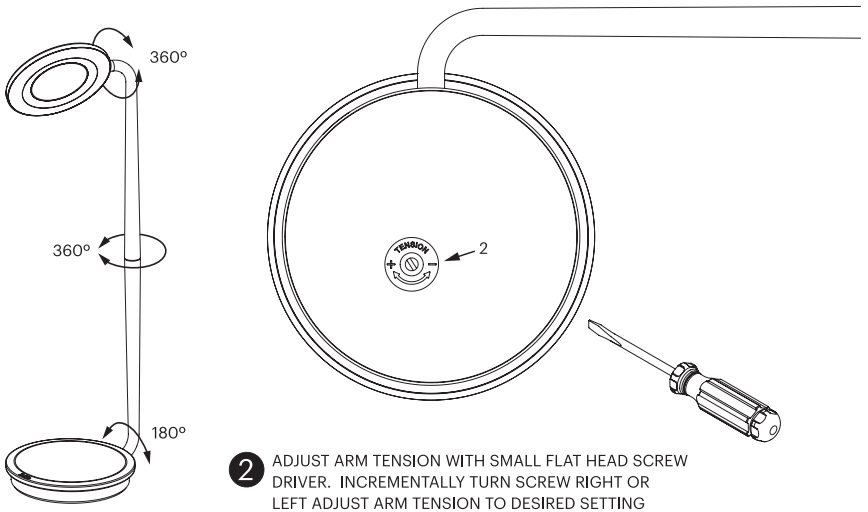
Pablo®

PIXO

ASSEMBLY



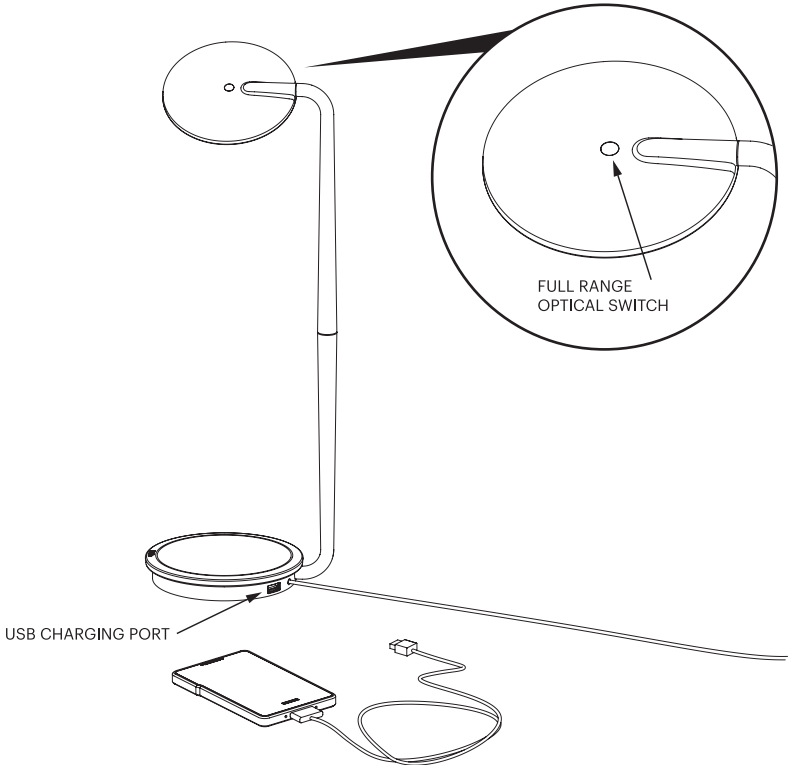
ADJUSTMENT



Pablo®

PIXO

PIXO SWITCH FUNCTION AND USB CHARGING



SWITCH FUNCTION

TAP OPTICAL SWITCH BRIEFLY TO CYCLE THROUGH HIGH, LOW AND OFF. PRESS AND HOLD OPTICAL SWITCH TO ACTIVATE FULL RANGE DIM CONTROL. RELEASE FINGER FROM OPTICAL SWITCH WHEN DESIRED LIGHT LEVEL IS REACHED.

USB SPECIFICATIONS

SINGLE 5.0V USB OUTPUT SUPPORTS CHARGING FOR SMARTPHONES, TABLETS AND OTHER MOBILE DEVICES.
USB 2.0 OR 1.1 STANDARD CORD REQUIRED (CORD NOT INCLUDED)
OUTPUT VOLTAGE: 5VDC + - 5%
OUTPUT CURRENT: 1A MAX

NOTE

PIXO WILL CONTINUE TO CHARGE YOUR MOBILE DEVICE EVEN WHEN LAMP IS IN THE "OFF" POSITION.

PLEASE REFER TO YOUR MOBILE DEVICE'S USER MANUAL FOR COMPATIBILITY AND CHARGING TIME. PLEASE REFRAIN FROM LEAVING YOUR DEVICE PLUGGED IN FOR LONGER THAN THE RECOMMENDED TIME, OTHERWISE IT MAY RESULT IN OVER CHARGING.

CARE INSTRUCTIONS

WIPE CLEAN WITH A SOFT DAMP CLOTH. AVOID AMMONIA-BASED CLEANERS.

Pablo®

PIXO

INFO@PABLODESIGNS.COM

888 MARIN STREET
SAN FRANCISCO, CA
94124

PABLODESIGNS.COM

Pablo®

PIXO

WALL

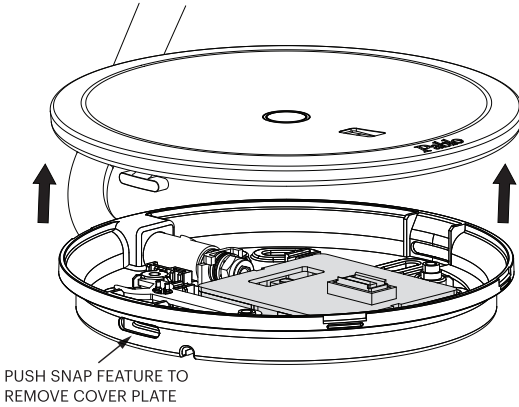
PIN-UP MODEL

ASSEMBLY & INSTALLATION INSTRUCTIONS

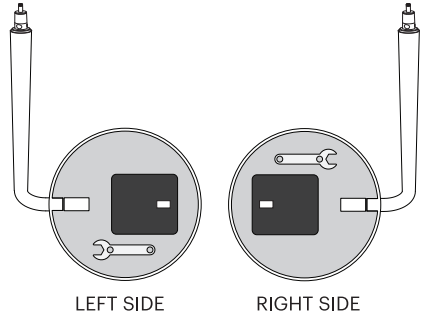


PIXO WALL

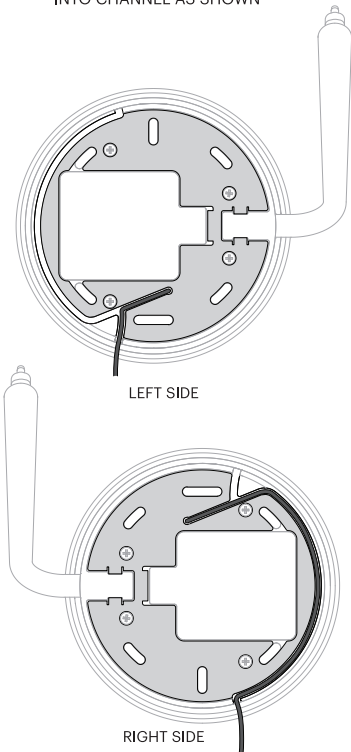
- 1** REMOVE COVER PLATE BY DEPRESSING SNAP FEATURES AND LIFTING



- 2** DETERMINE POSITION OF ARM (LEFT SIDE OR RIGHT SIDE OF BASE)



- 3** **IMPORTANT:** ROUTE CORD ON BACK OF BASE TO EXIT AT BOTTOM OF BASE, AND PRESS INTO CHANNEL AS SHOWN

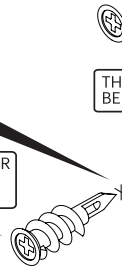


- 4** WHEN DESIRED LOCATION IS DETERMINED MARK AND INSTALL WALL ANCHORS

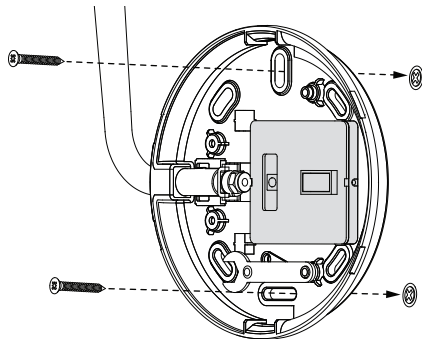
TAP THE UNTHREADED TIP OF THE ANCHOR INTO THE WALL

USE A PHILLIPS SCREWDRIVER TO COMPLETE THE ANCHOR INSTALLATION

THIS SURFACE SHOULD BE FLUSH WITH THE WALL

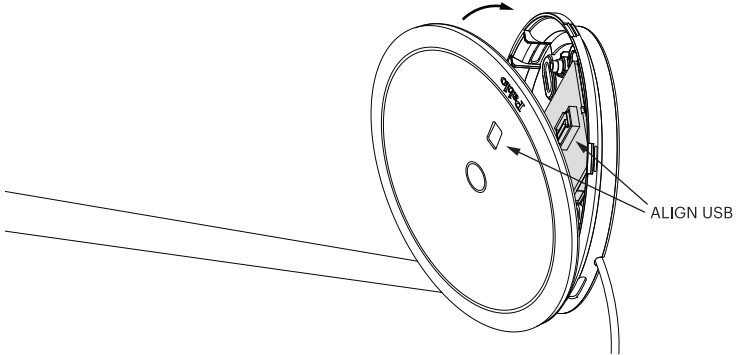


- 5** SCREW BASE TO THE ANCHORS USING PROVIDED SCREWS

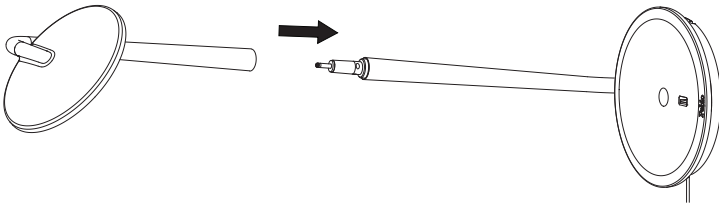


PIXO WALL

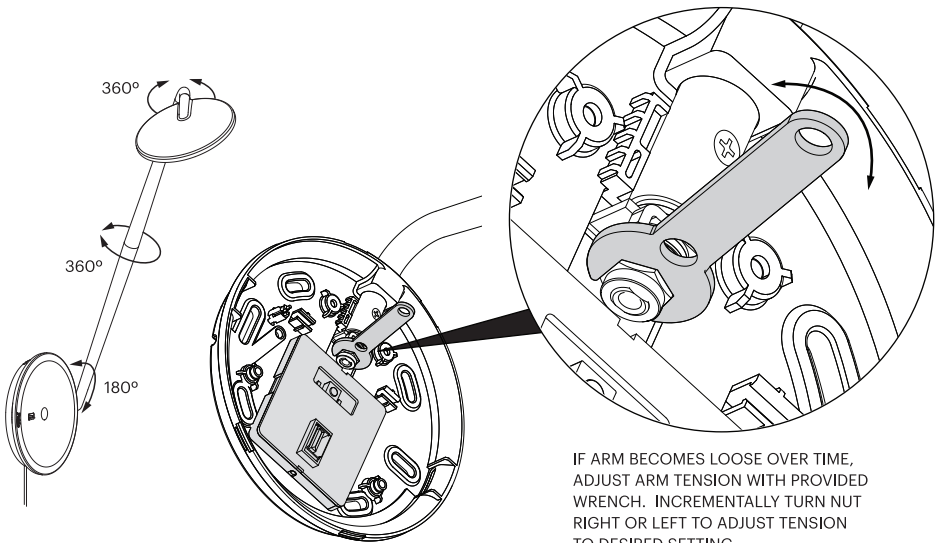
- 6** ALIGN FRONT COVER PLATE AND INSERT ONE SIDE, THEN PRESS COVER DOWN UNTIL OTHER SIDE CLICKS INTO PLACE



- 7** "CLICK" UPPER ARM INTO POSITION



ADJUSTMENT

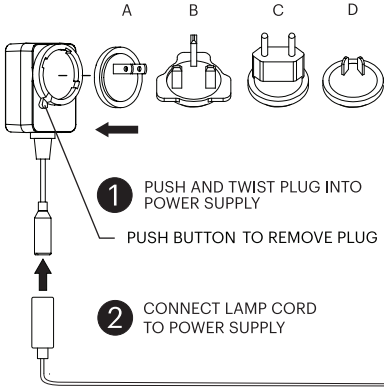


PIXO WALL

CONNECT TO POWER

1. SLIDE PLUG INTO POWER SUPPLY
2. ALIGN CONNECTOR/POWER SUPPLY LOCKING FEATURES
3. INSERT CONNECTOR
4. TURN CONNECTOR 90 DEGREES TO LOCK

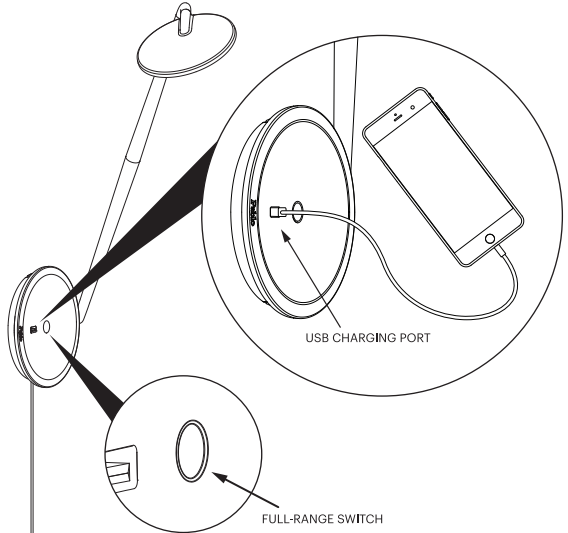
PLUG TYPES:



- A. N AMERICA B. UK
C. EU D. AU

NOTE: CONTACT MANUFACTURER FOR ADDITIONAL PLUG TYPES

USB CHARGING



SWITCH FUNCTION

TAP SWITCH BRIEFLY TO CYCLE THROUGH HIGH, LOW, AND OFF. PRESS AND HOLD TO ACTIVATE FULL RANGE DIM CONTROL. RELEASE FINGER FROM SWITCH WHEN DESIRED LIGHT LEVEL IS REACHED.

HIGHLIGHTS

SINGLE 5.0V USB OUTPUT SUPPORTS CHARGING FOR SMARTPHONES AND OTHER SIMILAR MOBILE DEVICES.

SPECIFICATIONS

USB 2.0 OR 1.1 STANDARD CORD REQUIRED
OUTPUT VOLTAGE: 5VDC + - 5%
OUTPUT CURRENT: 1A MAX

NOTE

PIXO WILL CONTINUE TO CHARGE YOUR MOBILE DEVICE EVEN WHEN LAMP IS IN THE "OFF" POSITION.

PLEASE REFER TO YOUR MOBILE DEVICE'S USER MANUAL FOR COMPATIBILITY AND CHARGING TIME. PLEASE REFRAIN FROM LEAVING YOUR DEVICE PLUGGED IN FOR LONGER THAN THE RECOMMENDED TIME, OTHERWISE IT MAY RESULT IN OVER CHARGING.

CARE INSTRUCTIONS

WIPE CLEAN WITH A SOFT DAMP CLOTH. AVOID AMMONIA-BASED CLEANERS.

Pablo®

PIXO

WALL

HARD-WIRED MODEL

ASSEMBLY & INSTALLATION INSTRUCTIONS



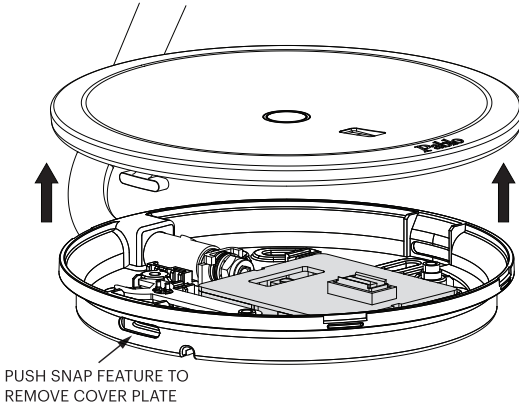
Pablo®

PIXO WALL

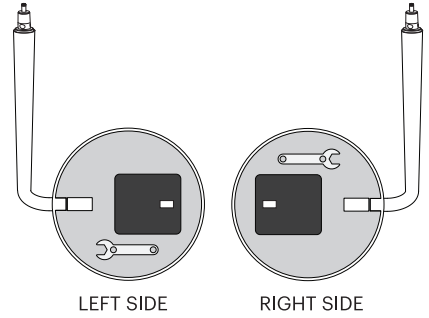
IMPORTANT: WE RECOMMEND FIXTURE BE INSTALLED BY AN ELECTRICIAN

WARNING: FIXTURE MUST BE WIRED CORRECTLY OR RISK DAMAGE TO COMPONENTS

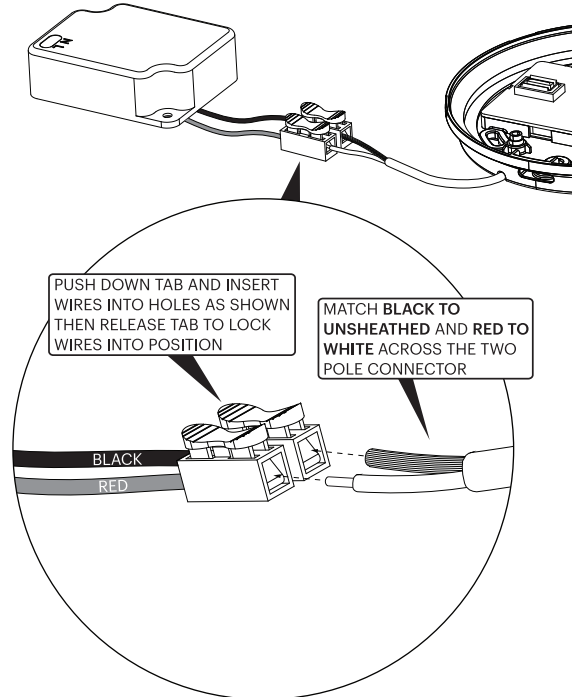
- 1** REMOVE COVER PLATE BY DEPRESSING SNAP FEATURES AND LIFTING



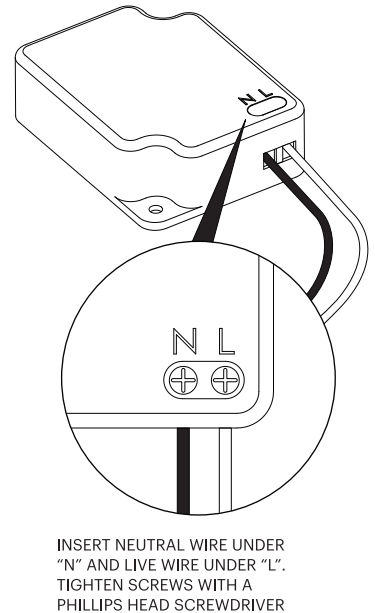
- 2** DETERMINE POSITION OF ARM (LEFT SIDE OR RIGHT SIDE OF BASE)



- 3** WIRE FIXTURE TO TRANSFORMER AS SHOWN

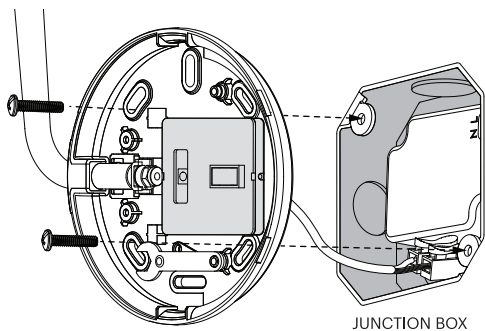


- 4** CONNECT BUILDING WIRING TO TRANSFORMER

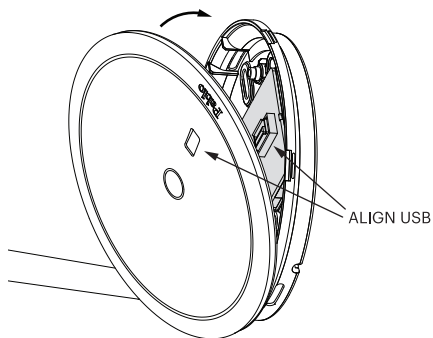


PIXO WALL

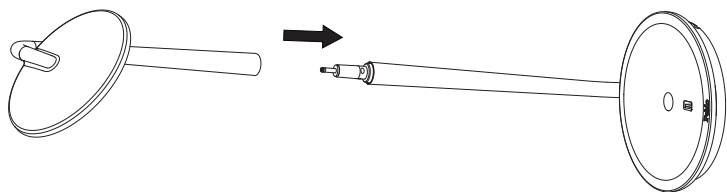
- 5** PUT TRANSFORMER AND WIRES INTO JUNCTION BOX AND SCREW BASE INTO JUNCTION BOX USING PROVIDED MACHINE SCREWS



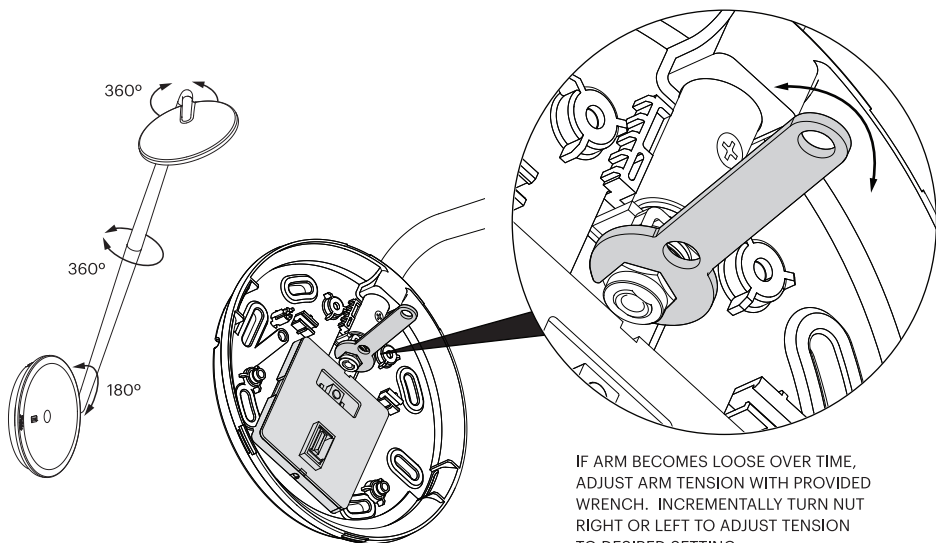
- 6** ALIGN FRONT COVER PLATE AND INSERT ONE SIDE, THEN PRESS COVER DOWN UNTIL OTHER SIDE CLICKS INTO PLACE



- 7** "CLICK" UPPER ARM INTO POSITION



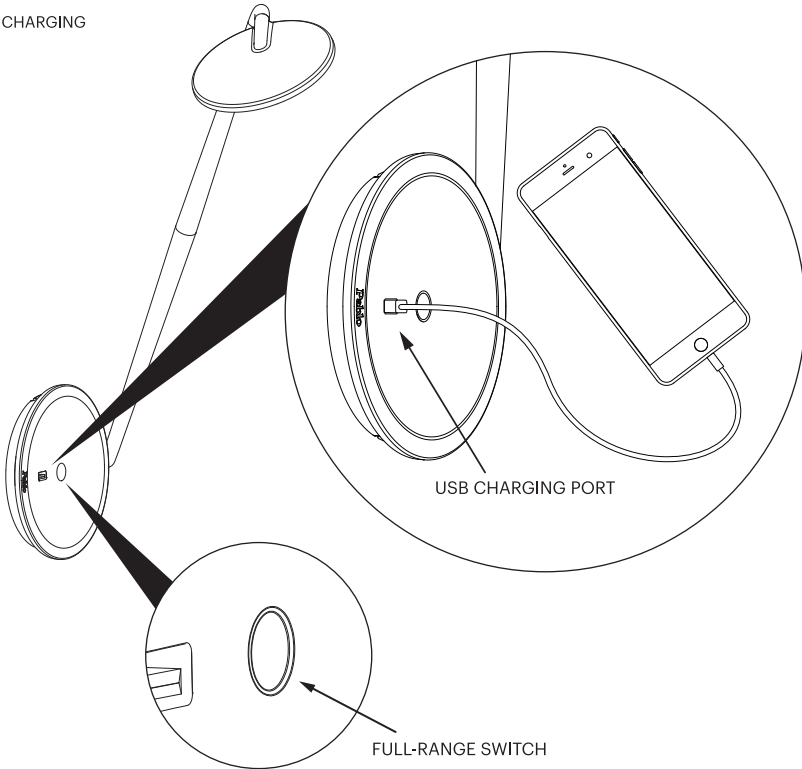
ADJUSTMENT



Pablo

PIXO WALL

USB CHARGING



SWITCH FUNCTION

TAP SWITCH BRIEFLY TO CYCLE THROUGH HIGH, LOW, AND OFF. PRESS AND HOLD TO ACTIVATE FULL RANGE DIM CONTROL. RELEASE FINGER FROM SWITCH WHEN DESIRED LIGHT LEVEL IS REACHED.

HIGHLIGHTS

SINGLE 5.0V USB OUTPUT SUPPORTS CHARGING FOR SMARTPHONES AND OTHER SIMILAR MOBILE DEVICES.

SPECIFICATIONS

USB 2.0 OR 1.1 STANDARD CORD REQUIRED
OUTPUT VOLTAGE: 5VDC + - 5%
OUTPUT CURRENT: 1A MAX

NOTE

PIXO WILL CONTINUE TO CHARGE YOUR MOBILE DEVICE EVEN WHEN LAMP IS IN THE "OFF" POSITION.

PLEASE REFER TO YOUR MOBILE DEVICE'S USER MANUAL FOR COMPATIBILITY AND CHARGING TIME. PLEASE REFRAIN FROM LEAVING YOUR DEVICE PLUGGED IN FOR LONGER THAN THE RECOMMENDED TIME, OTHERWISE IT MAY RESULT IN OVER CHARGING.

CARE INSTRUCTIONS

WIPE CLEAN WITH A SOFT DAMP CLOTH. AVOID AMMONIA-BASED CLEANERS.