

Pablo®

BOLA SPHERE

ASSEMBLY & INSTALLATION INSTRUCTIONS

TABLE OF CONTENTS

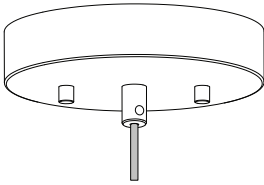
pg. 1-6.....BOLA SPHERE PENDANT
pg. 7-11.....BOLA SPHERE CHANDELIER

Pablo®

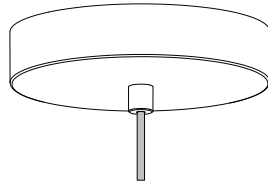
BOLA

SPHERE PENDANT

120/240V ASSEMBLY & INSTALLATION INSTRUCTIONS



CANOPY TYPE A



CANOPY TYPE B

INFO@PABLODESIGNS.COM
888 MARIN STREET
SAN FRANCISCO, CA
94124

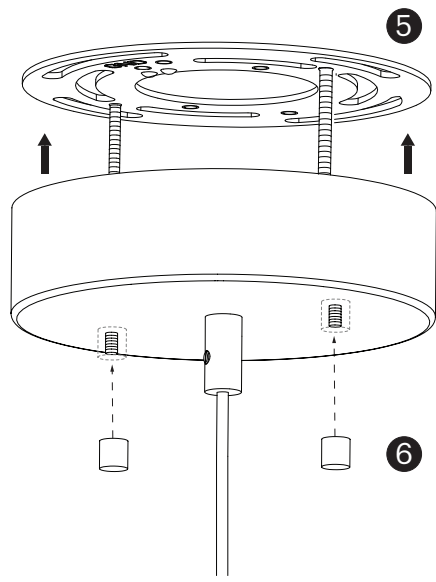
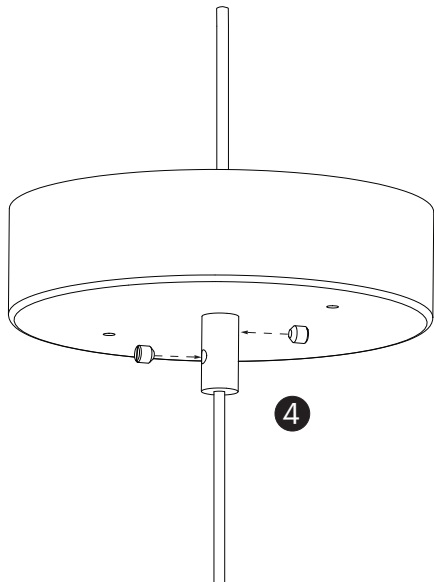
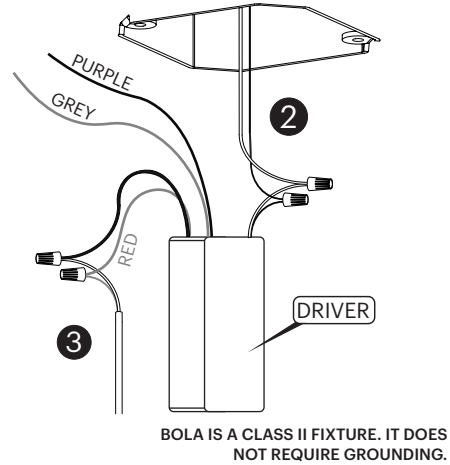
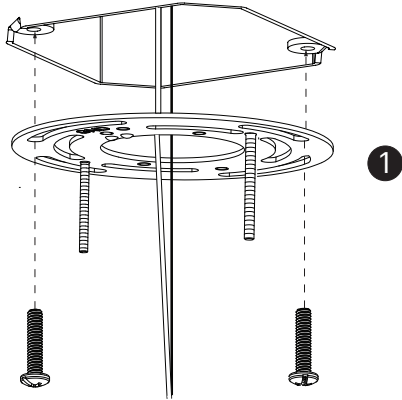
PABLODESIGNS.COM



BOLA CANOPY

1. ATTACH MOUNTING PLATE TO JUNCTION BOX OR CEILING
2. WIRE TRANSFORMER TO BUILDING
(US: BLACK TO BLACK AND WHITE TO WHITE)
(EU: BLUE TO BLUE AND BROWN TO BROWN/RED)
3. CUT CORD TO DESIRED LENGTH AND PASS THROUGH CANOPY. WIRE TRANSFORMER TO LAMP
(US: BLUE TO BRAIDED AND RED TO RED)

- (EU: BLACK TO BRAIDED AND RED TO RED)
NOTE: PURPLE AND GREY CORDS ARE USED ONLY WITH 0-10 V DIMMER SWITCH.
4. TIGHTEN SET SCREWS ON CORD RELIEF
 5. BRING CANOPY UP TO MOUNTING PLATE WITH BOLTS PASSING THROUGH THE HOLES
 6. SCREW BOTH CAPS DOWN, SECURING THE CANOPY

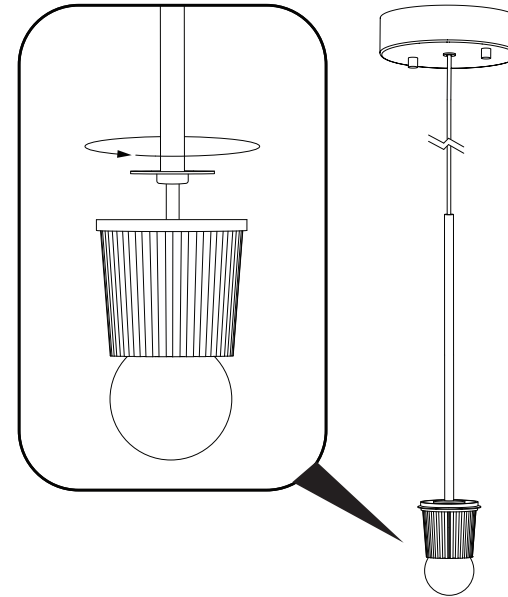
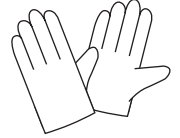


IMPORTANT: WE RECOMMEND CEILING MOUNTING BE INSTALLED BY AN ELECTRICIAN

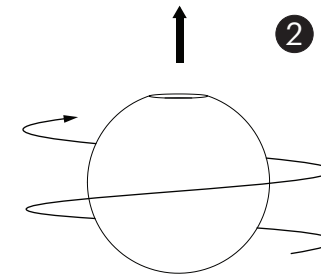
LENGTH OF CORD SUPPLIED
8.9FT (270 CM)

BOLA SPHERE

USE PROVIDED GLOVES WHEN HANDLING LAMP TO AVOID FINGER MARKS.



1 SCREW STEM ONTO STATIONARY HEAT SINK



2 CAREFULLY SCREW GLOBE TO HEAT SINK.

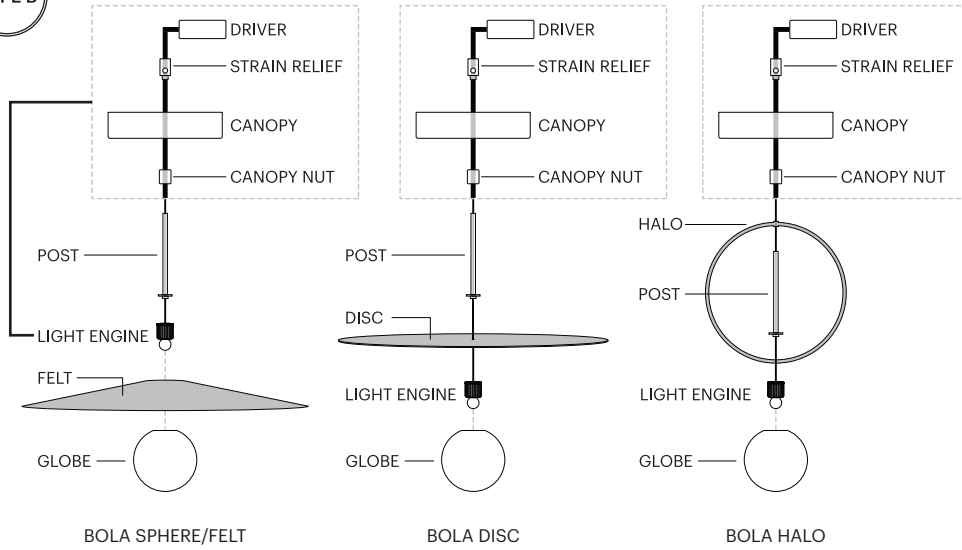
LIGHT SOURCE
LED
FULL RANGE LIGHT CONTROL VIA
0 - 10v OR ELV DIMMER

LIGHT SOURCE REPLACEMENT
CONTACT MANUFACTURER FOR REPLACEMENT

LENGTH OF CORD SUPPLIED
8.9FT (270CM)

CARE
WIPE WITH A CLEAN, DAMP CLOTH. AVOID
AMMONIA BASED CLEANERS.

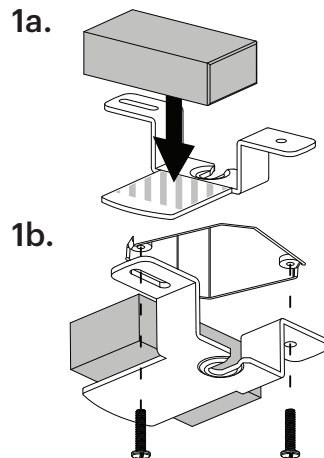
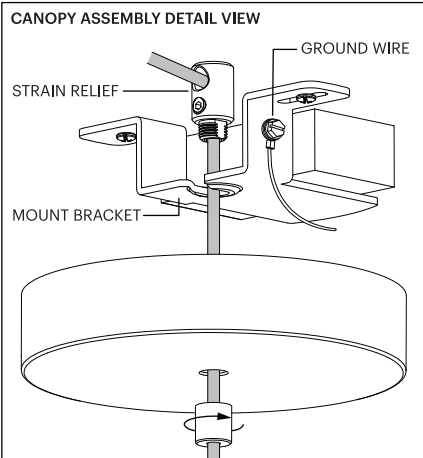
CORD PATH DIAGRAM



1. **a** SECURE DRIVER TO MOUNT BRACKET WITH PROVIDED TAPE. **b** SECURE MOUNT BRACKET TO JUNCTION BOX OR CEILING USING APPROPRIATE ANCHOR METHODS.

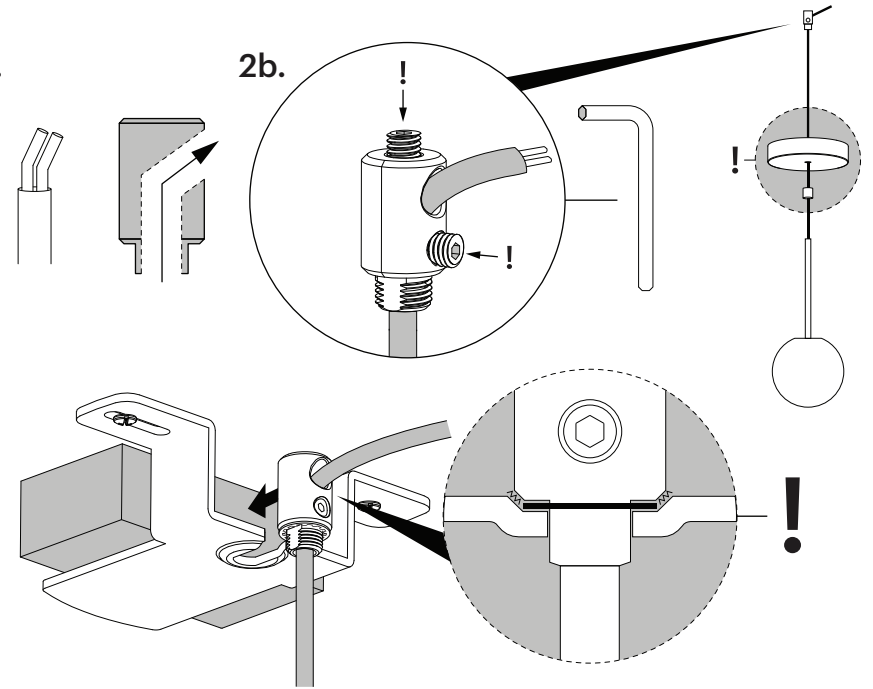
IMPORTANT! BE SURE TO REFERENCE CORD PATH DIAGRAM BEFORE MOVING ON.

- BE SURE TO WEAVE CORD THROUGH ALL NECESSARY PARTS LISTED ABOVE BASED ON LAMP MODEL.
 - a** BEND WIRE ENDS BEFORE PASSING THROUGH STRAIN RELIEF. **b** PASS CORD THROUGH STRAIN RELIEF AND SET LAMP HEIGHT BY FASTENING BOTH (TOP AND SIDE) SET SCREWS. (IF NECESSARY: TRIM EXCESS CORD)
- PLACE FASTENED STRAIN RELIEF ONTO MOUNTING BRACKET. (**NOTE! STRAIN RELIEF SHOULD NEST INTO RECESS IN BRACKET SURFACE**)
- WIRE DRIVER TO BUILDING (US : BLACK TO BLACK/WHITE TO WHITE) (EU: BLACK TO BROWN/WHITE TO BLUE) **NOTE: PURPLE AND GREY WIRES ARE USED ONLY IN 0-10V INSTALLATIONS.**
- WIRE DRIVER TO LAMP (RED TO RED/BLUE TO BLACK)
- SECURE CANOPY COVER TO BRACKET ASSEMBLY WITH CANOPY NUT. TIGHTEN UNTIL FIRMLY IN PLACE.



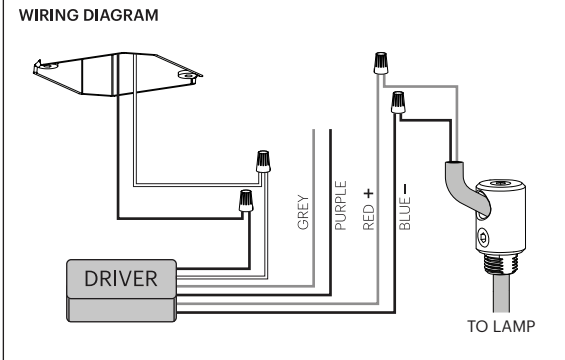
2a.

2b.

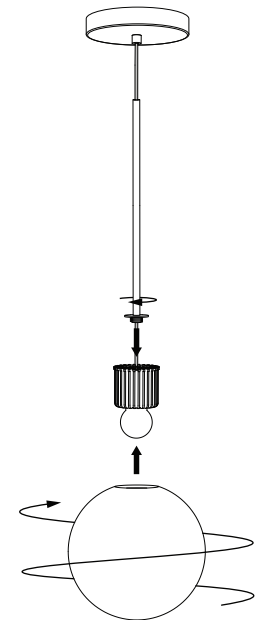


3.

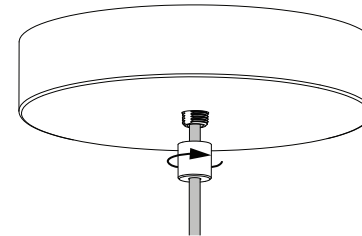
4-5.



BOLA SPHERE PENDANT ASSEMBLY



6.



GLOBE THREADS ONTO LIGHT ENGINE

Pablo®

LIGHT SOURCE

LED
FULL RANGE LIGHT CONTROL VIA
0 - 10v OR ELV DIMMER

LIGHT SOURCE REPLACEMENT

CONTACT MANUFACTURER FOR REPLACEMENT

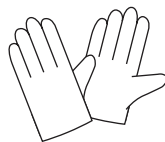
LENGTH OF CORD SUPPLIED

8.9FT (270CM)

CARE

WIPE WITH A CLEAN, DAMP CLOTH, AVOID
AMMONIA-BASED CLEANERS.

**IMPORTANT: WE RECOMMEND CEILING MOUNTING
BE INSTALLED BY AN ELECTRICIAN**



**USE PROVIDED GLOVES WHEN HANDLING LAMP
TO AVOID FINGER MARKS.**

Pablo®

BOLA SPHERE CHANDELIER

120V & 240V ASSEMBLY & INSTALLATION INSTRUCTIONS

INFO@PABLODESIGNS.COM
888 MARIN STREET
SAN FRANCISCO, CA
94124

PABLODESIGNS.COM

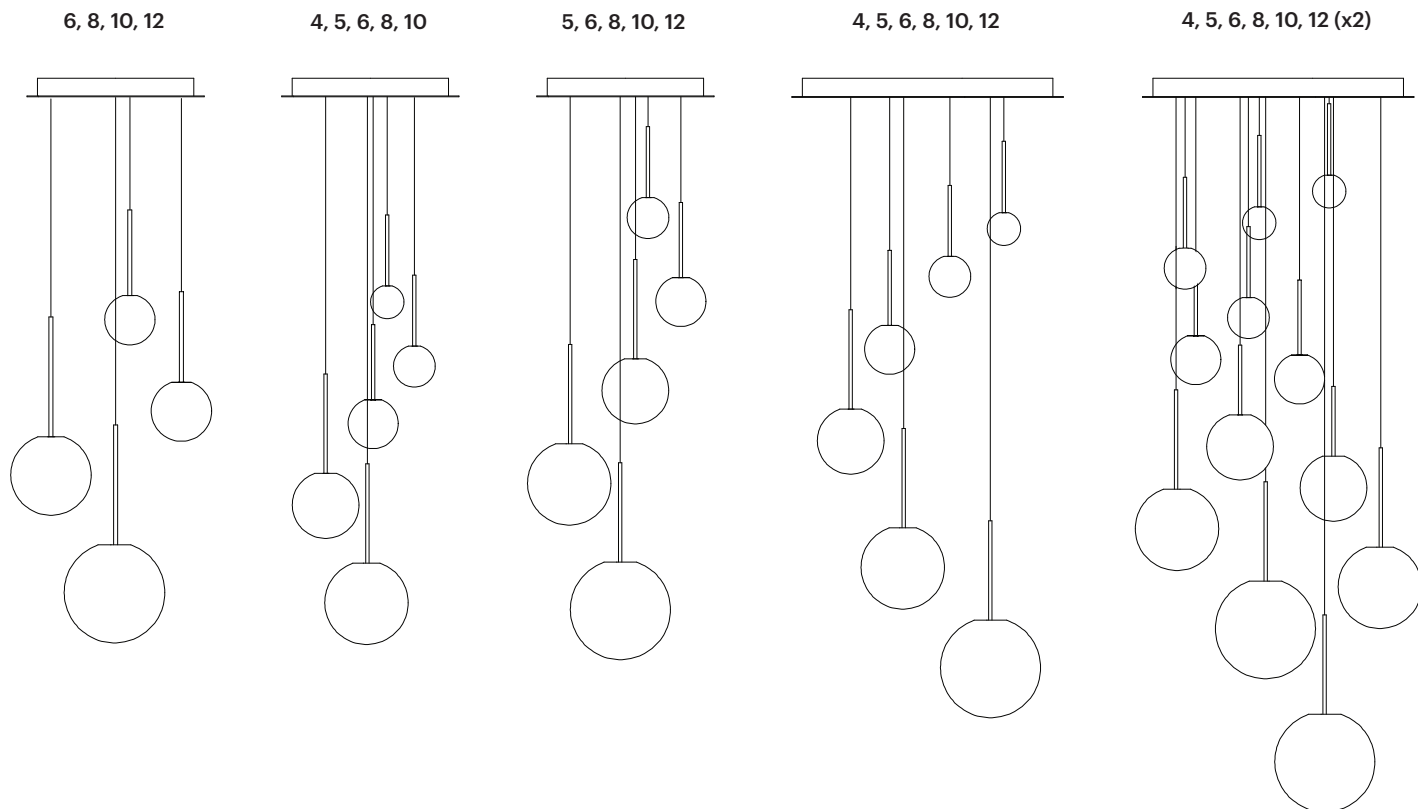
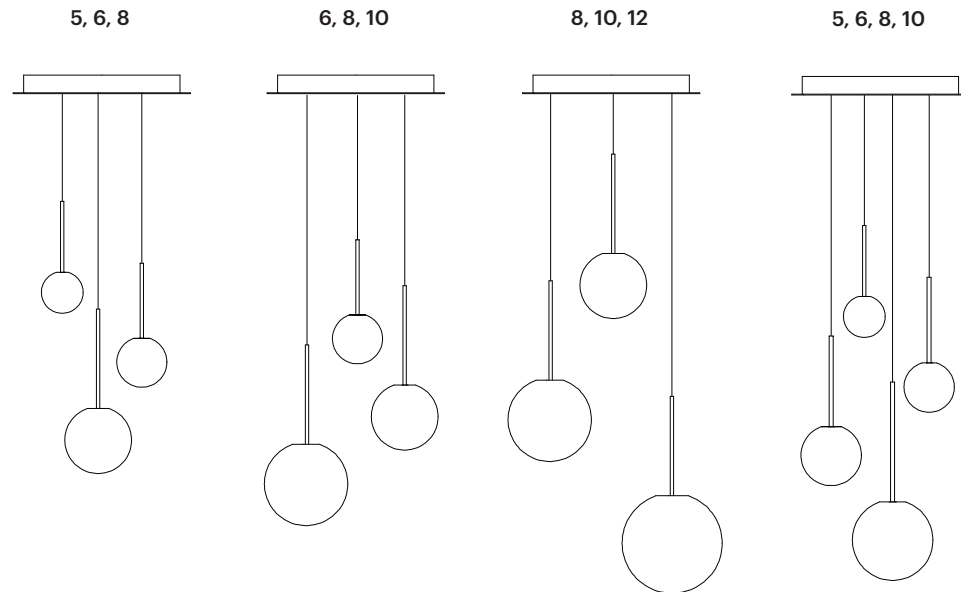


BOLA SPHERE CHANDELIER

IMPORTANT: WE RECOMMEND FIXTURE BE INSTALLED BY AN ELECTRICIAN. BOLA SPHERE CHANDELIER MUST BE SECURELY ANCHORED TO 150LBS RATED JUNCTION BOX OR MOUNTED TO CEILING STUDS.

SUGGESTED HANGING CONFIGURATIONS

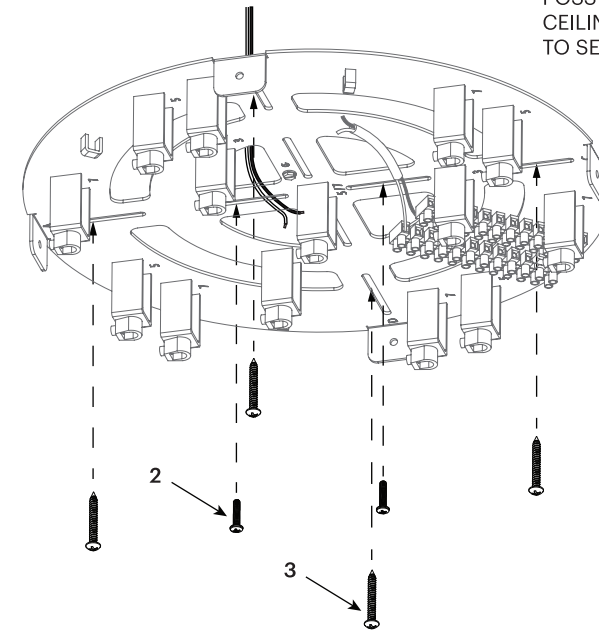
1. DETERMINE APPROPRIATE HEIGHT ABOVE SURFACE FOR LOWEST LAMP
2. SPACE EACH LAMP SUCH THAT THEY WILL NOT TOUCH EACH OTHER
3. MOVE UPWARDS IN A SPIRAL PATTERN



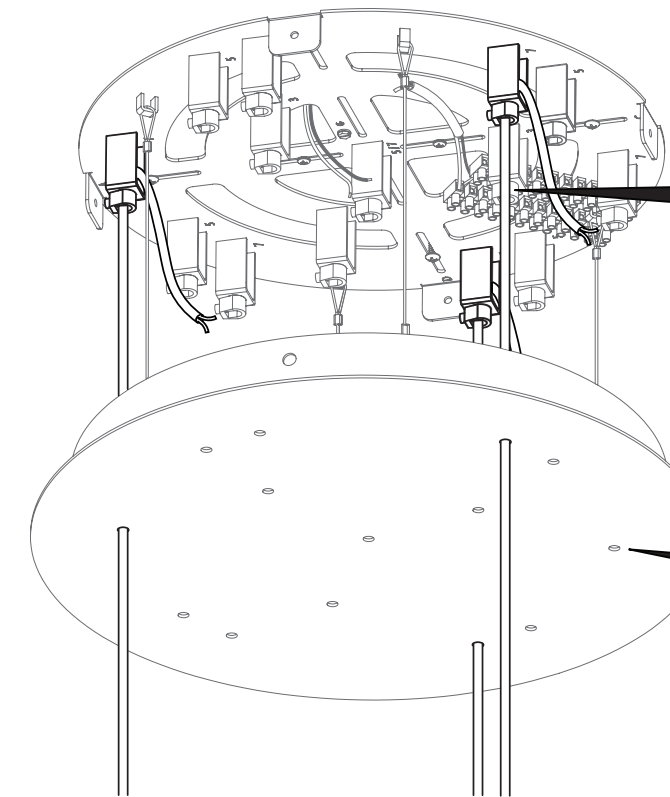
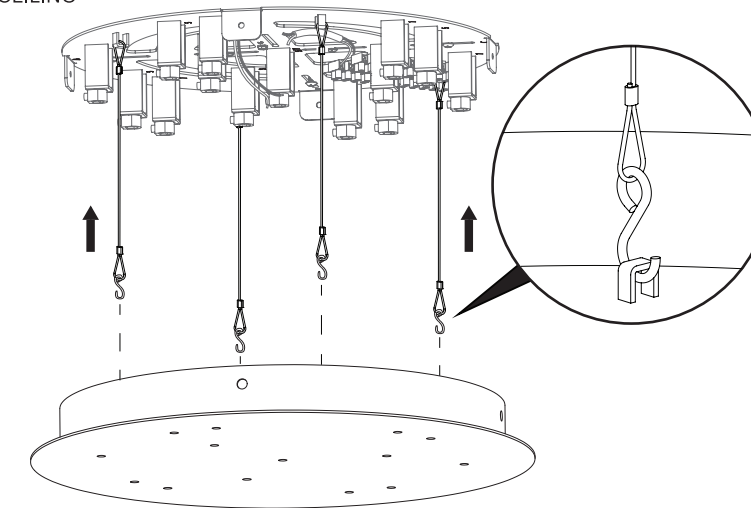
NOTE: INSTALLATION REQUIRES STANDARD PHILLIPS HEAD SCREW DRIVER AND #2 FLAT HEAD SCREW DRIVER

BOLA SPHERE CHANDELIER

- 1 ROUTE BUILDING WIRING THROUGH MOUNTING PLATE
- 2 ATTACH PLATE TO JUNCTION BOX WITH PROVIDED JUNCTION BOX MACHINE SCREWS
- 3 ANCHOR PLATE INTO CEILING STUDS WITH PROVIDED WOOD SCREWS IF POSSIBLE. IF NOT, USE PROVIDED CEILING ANCHORS AND WOOD SCREWS TO SECURE PLATE TO CEILING
- 4 ALIGN HOLES ON MOUNTING PLATE WITH CORRESPONDING HOLES ON CANOPY COVER
- 5 ATTACH CABLE HOOKS TO CABLE MOUNTS ON CANOPY COVER TO SUPPORT CANOPY COVER DURING INSTALLATION. CABLE HOOKS MUST REMAIN ATTACHED TO CANOPY COVER TO ENSURE SAFE INSTALLATION
- 6 USING THE SUGGESTED HANGING CONFIGURATION AS A GUIDE, FEED PENDANT CORDS THROUGH ASSIGNED HOLES IN CANOPY COVER AND STRAIN RELIEFS
- 7 PULL PENDANTS TO DESIRED HEIGHT REFERENCING SUGGESTED HANGING CONFIGURATIONS. USE #2 FLAT HEAD SCREW DRIVER TO SET STRAIN RELIEFS
- 8 PRESS RUBBER PLUGS INTO UNUSED HOLES FROM INSIDE OF CANOPY COVER



2 ATTACH PLATE TO JUNCTION BOX WITH PROVIDED JUNCTION BOX MACHINE SCREWS



6 USING THE SUGGESTED HANGING CONFIGURATION AS A GUIDE, FEED PENDANT CORDS THROUGH ASSIGNED HOLES IN CANOPY COVER AND STRAIN RELIEFS

7 PULL PENDANTS TO DESIRED HEIGHT REFERENCING SUGGESTED HANGING CONFIGURATIONS. USE #2 FLAT HEAD SCREW DRIVER TO SET STRAIN RELIEFS

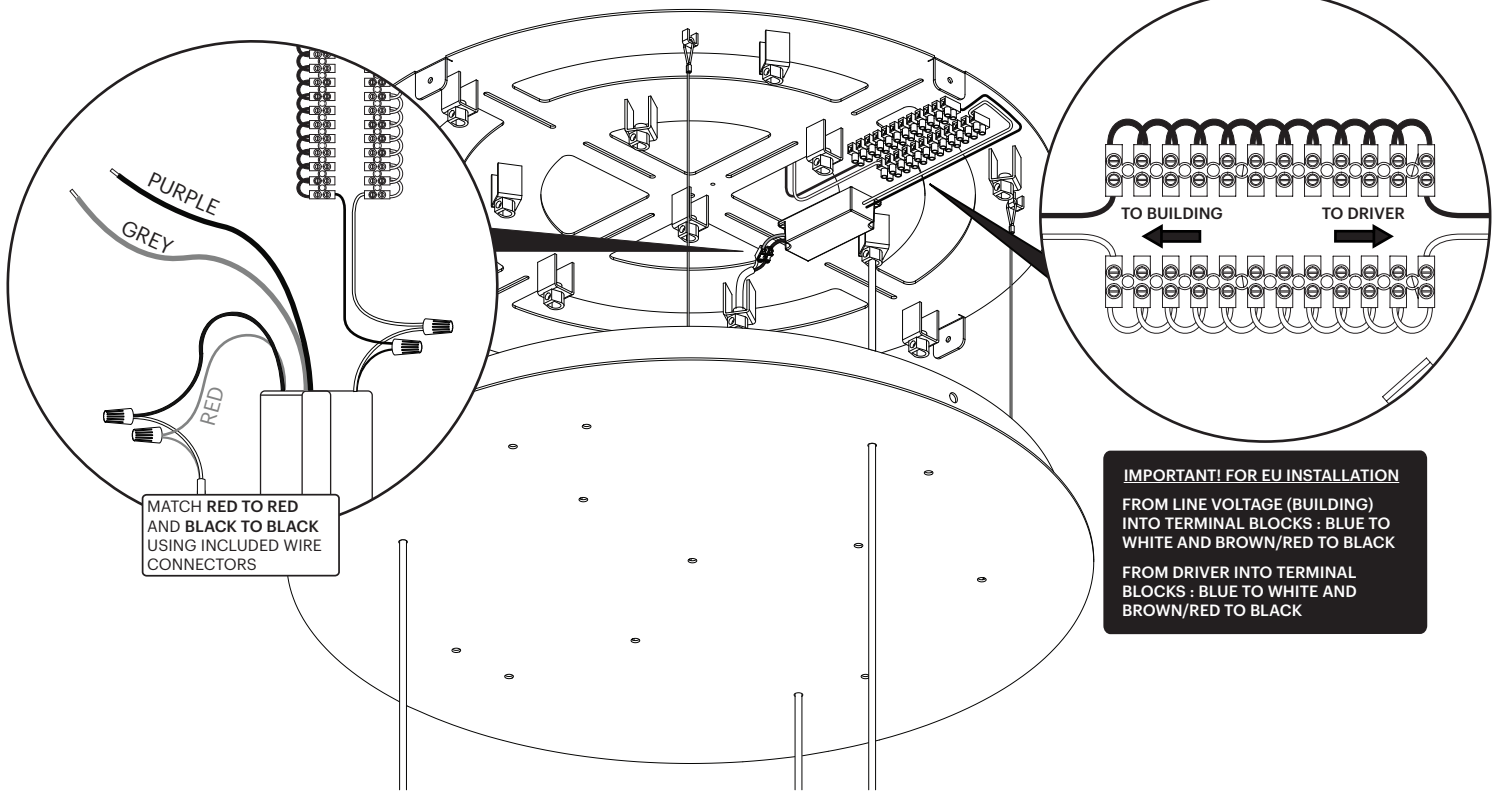
8 PRESS RUBBER PLUGS INTO UNUSED HOLES FROM INSIDE OF CANOPY COVER

NOTE: INSTALLATION SHOWN IS FOR BOLA SPHERE CHANDELIER 3. FOR BOLA SPHERE CHANDELIER 5 AND 7, FOLLOW THE SAME WIRING PROCESS USING THE HOLE PLACEMENT OUTLINED IN SUGGESTED HANGING CONFIGURATIONS.

BOLA SPHERE CHANDELIER

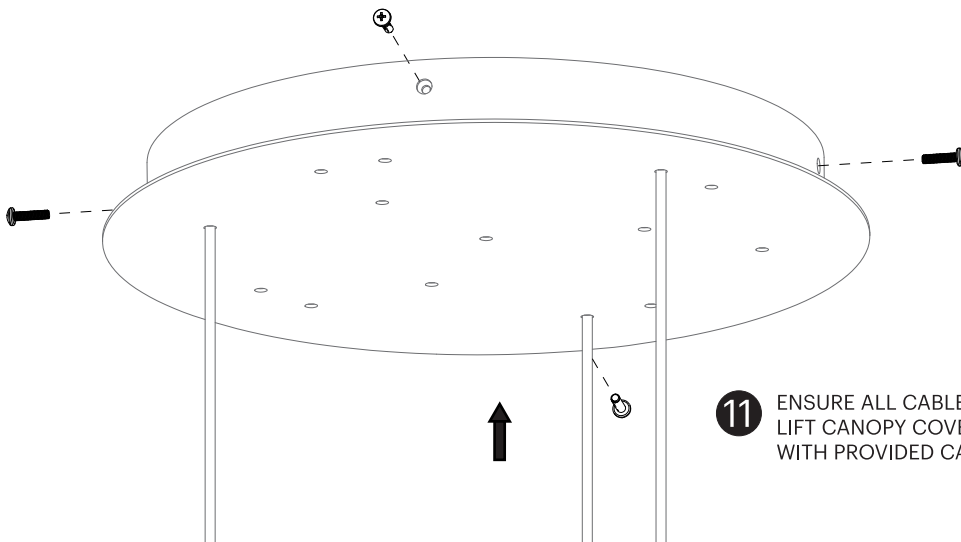
9 **FIXTURE WIRING**
CONNECT FIXTURE WIRING TO 2 POLE CONNECTOR ON DC OUTPUT SIDE OF TRANSFORMER AS SHOWN.
IMPORTANT! ONE TRANSFORMER PER LAMP.

10 **BUILDING WIRING**
CONNECT AC INPUT SIDE OF TRANSFORMER TO TERMINAL BLOCKS AS SHOWN AND SECURE WITH A #2 FLAT HEAD SCREWDRIVER



IMPORTANT! FOR EU INSTALLATION
FROM LINE VOLTAGE (BUILDING) INTO TERMINAL BLOCKS : BLUE TO WHITE AND BROWN/RED TO BLACK
FROM DRIVER INTO TERMINAL BLOCKS : BLUE TO WHITE AND BROWN/RED TO BLACK

NOTE: PURPLE AND GREY CORDS ARE USED ONLY WITH 0-10 V DIMMER SWITCH AND SHOULD NEVER BE ATTACHED TO THE TERMINAL BLOCK. CONTACT PABLO IF FURTHER INSTRUCTION IS REQUIRED.



11 ENSURE ALL CABLES AND CORDS ARE TUCKED WITHIN CANOPY COVER. LIFT CANOPY COVER UP TO CEILING AND SECURE TO MOUNTING PLATE WITH PROVIDED CANOPY COVER MACHINE SCREWS

Pablo[®]

INFO@PABLODESIGNS.COM
INFO@PABLODESIGNS.EU

888 MARIN STREET
SAN FRANCISCO, CA
94124

PABLODESIGNS.COM
PABLODESIGNS.EU