

Pablo®

BOLA
DISC
FAMILY

ASSEMBLY & INSTALLATION INSTRUCTIONS

Pablo®

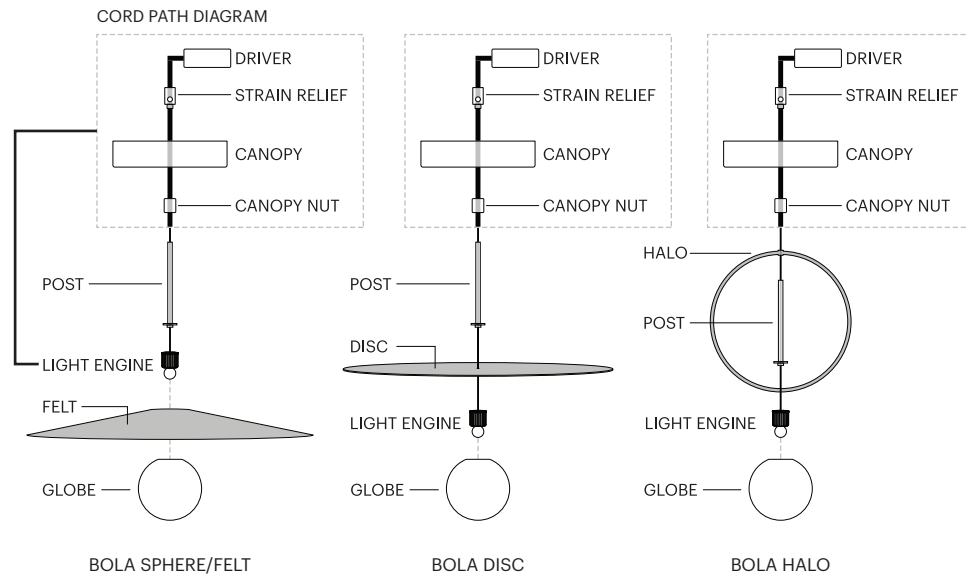
BOLA DISC

120/240V ASSEMBLY & INSTALLATION INSTRUCTIONS

INFO@PABLODESIGNS.COM
888 MARIN STREET
SAN FRANCISCO, CA
94124

PABLODESIGNS.COM

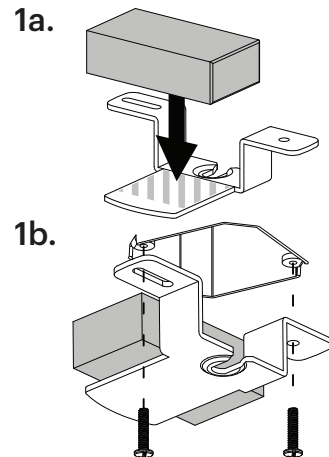
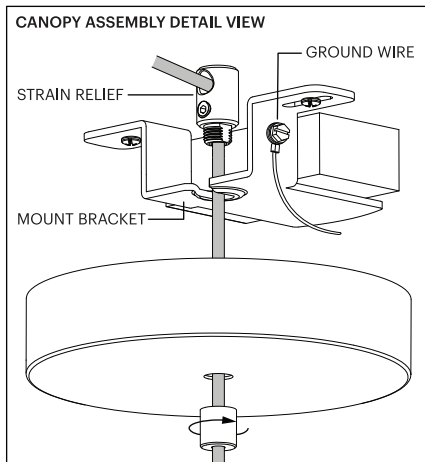




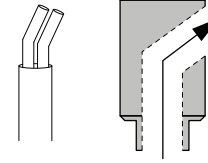
- 1. a** SECURE DRIVER TO MOUNT BRACKET WITH PROVIDED TAPE. **b** SECURE MOUNT BRACKET TO JUNCTION BOX OR CEILING USING APPROPRIATE ANCHOR METHODS.

IMPORTANT! BE SURE TO REFERENCE CORD PATH DIAGRAM BEFORE MOVING ON.

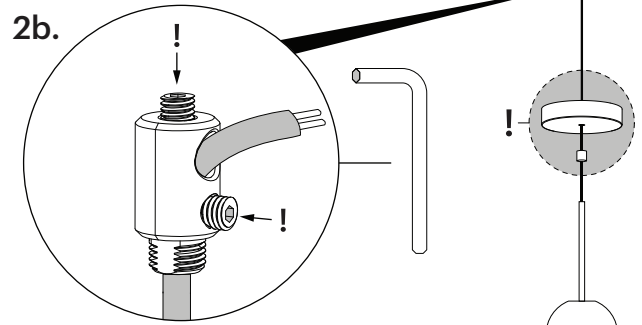
- BE SURE TO WEAVE CORD THROUGH ALL NECESSARY PARTS LISTED ABOVE BASED ON LAMP MODEL.
 - a** BEND WIRE ENDS BEFORE PASSING THROUGH STRAIN RELIEF. **b** PASS CORD THROUGH STRAIN RELIEF AND SET LAMP HEIGHT BY FASTENING BOTH (TOP AND SIDE) SET SCREWS. (IF NECESSARY: TRIM EXCESS CORD)
- PLACE FASTENED STRAIN RELIEF ONTO MOUNTING BRACKET. (**NOTE! STRAIN RELIEF SHOULD NEST INTO RECESS IN BRACKET SURFACE**)
- WIRE DRIVER TO BUILDING (US : BLACK TO BLACK/WHITE TO WHITE) (EU: BLACK TO BROWN/WHITE TO BLUE)
NOTE: PURPLE AND GREY WIRES ARE USED ONLY IN 0-10V INSTALLATIONS.
- WIRE DRIVER TO LAMP (RED TO RED/BLUE TO BLACK)
- SECURE CANOPY COVER TO BRACKET ASSEMBLY WITH CANOPY NUT. TIGHTEN UNTIL FIRMLY IN PLACE.



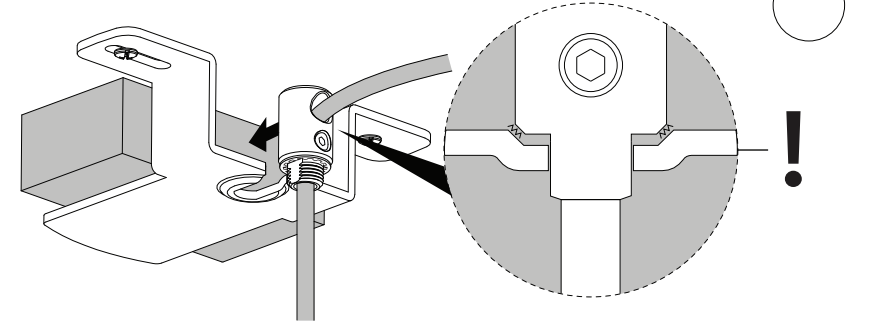
2a.



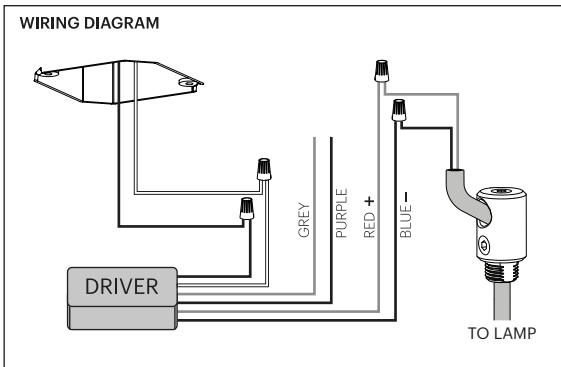
2b.



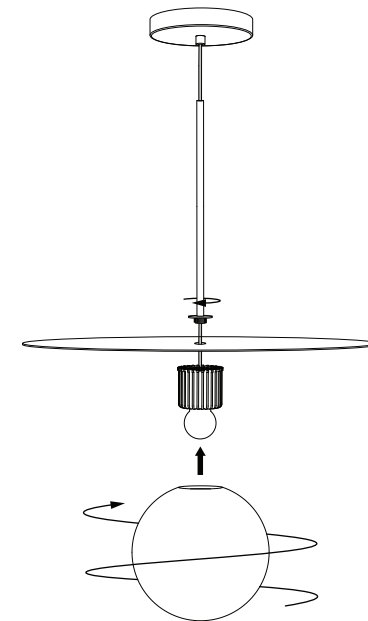
3.



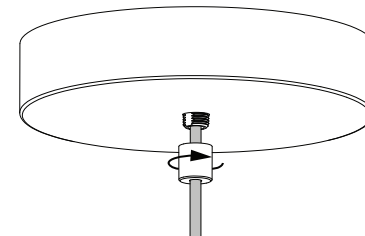
4-5.



BOLA DISC PENDANT ASSEMBLY



6.



GLOBE THREADS ONTO LIGHT ENGINE

Pablo®

MULTI-LIGHT CANOPY

9" and 12"

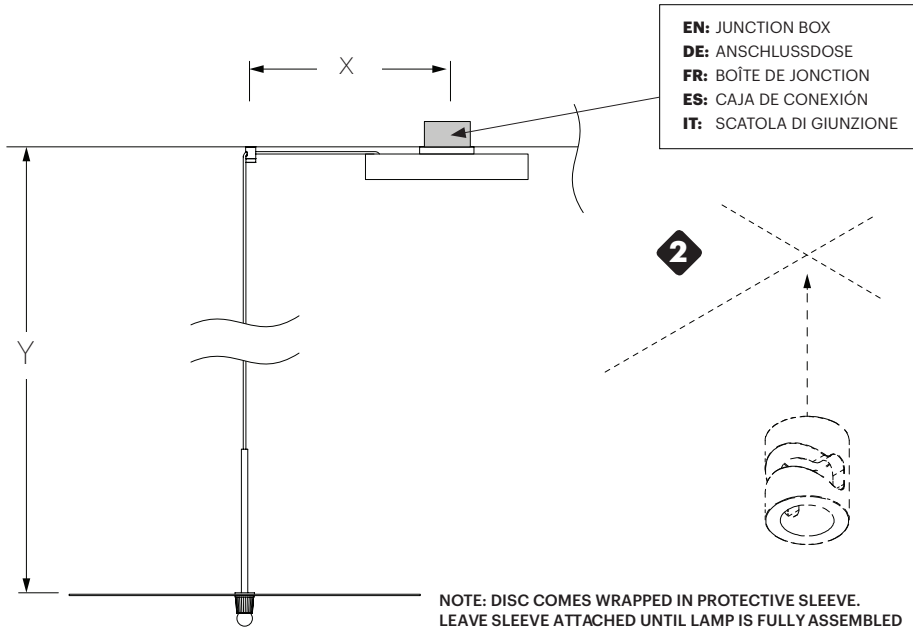
BOLA DISC/FELT PENDANT & CIELO XL PENDANT

ASSEMBLY & INSTALLATION INSTRUCTIONS



Pablo® MULTI-LIGHT CANOPY

- 1** LOCATE BUILDING POWER FEED/JUNCTION BOX
DETERMINE AND MARK SWAG LOCATIONS REFERENCING THE DIAGRAM AND PROVIDED CHART.
PROVIDED LAMP WIRES ARE 10', LAMP HANG HEIGHT REDUCES IN RELATION TO SWAG DISTANCE FROM CANOPY.

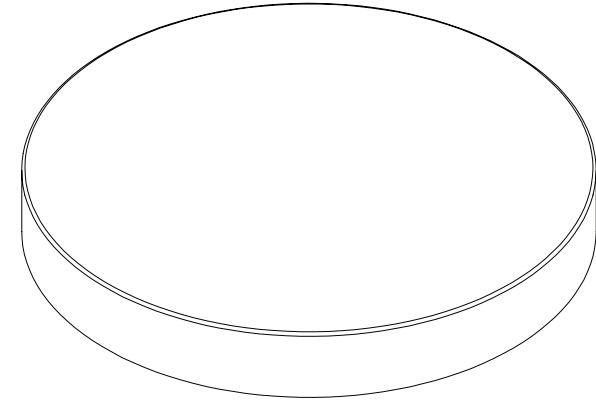


PROVIDED LAMP WIRES ARE 8', LAMP HANG HEIGHT REDUCES IN RELATION TO SWAG DISTANCE FROM CANOPY. IF X=5', Y CAN BE A MAXIMUM OF 3'.

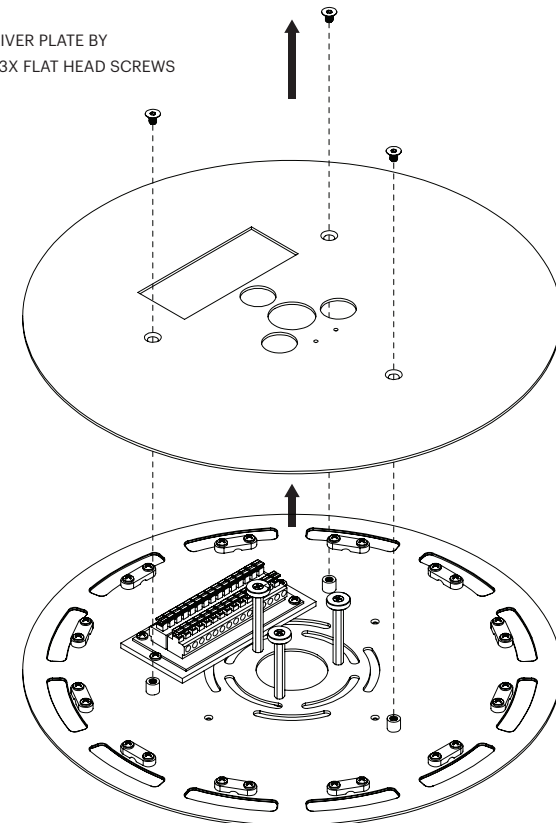
SWAG SPACING CENTER TO CENTER	BOLA DISC			
	BOLA DISC 12	BOLA DISC 18	BOLA DISC 22	BOLA DISC 32
BOLA DISC 12	5" 12.7 CM	8" 20.3 CM	9" 23 CM	13" 33 CM
BOLA DISC 18	8" 20.3 CM	8" 20.3 CM	9" 23 CM	13" 33 CM
BOLA DISC 22	9" 23 CM	9" 23 CM	9" 23 CM	13" 33 CM
BOLA DISC 32	13" 33 CM	13" 33 CM	13" 33 CM	13" 33 CM

Pablo® MULTI-LIGHT CANOPY

- 3** REMOVE CANOPY COVER, SET ASIDE

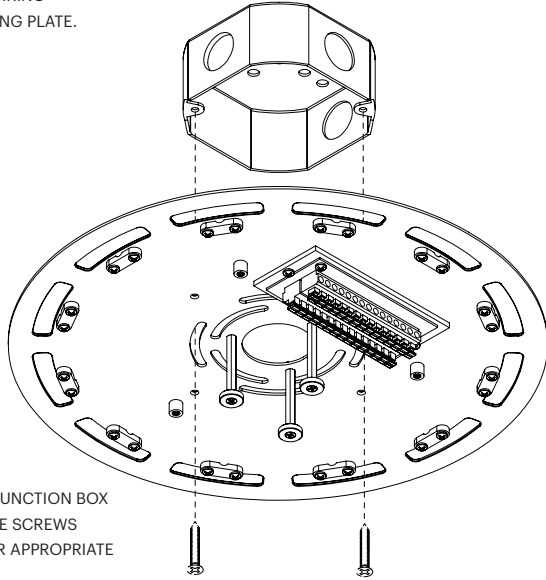


- 4** REMOVE DRIVER PLATE BY
REMOVING 3X FLAT HEAD SCREWS



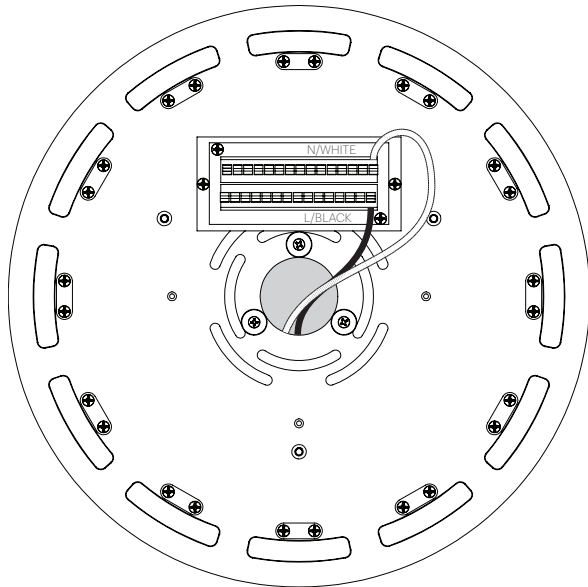
Pablo® MULTI-LIGHT CANOPY

5 ROUTE BUILDING WIRING THROUGH MOUNTING PLATE.



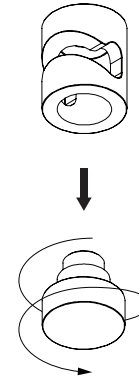
6 ATTACH PLATE TO JUNCTION BOX WITH 8-32 MACHINE SCREWS (NOT PROVIDED) OR APPROPRIATE ANCHORS.

7 WIRE BUILDING WIRING TO TERMINAL BLOCK.
US: BLACK TO BLACK AND WHITE TO WHITE **EU:** BLUE TO WHITE BROWN TO BLACK.

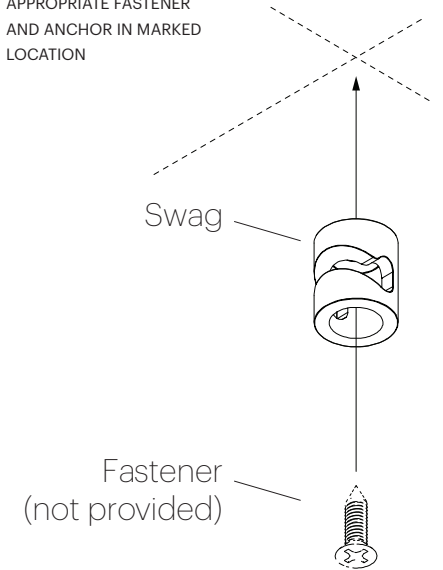


Pablo® MULTI-LIGHT CANOPY

8 REMOVE THREADED SWAG CAP



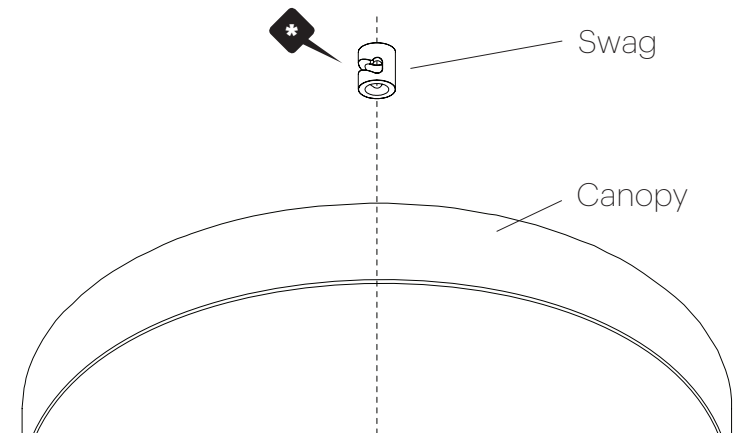
9 MOUNT SWAG USING APPROPRIATE FASTENER AND ANCHOR IN MARKED LOCATION



NOTE: Cable slot should face canopy center point.



Cable slot



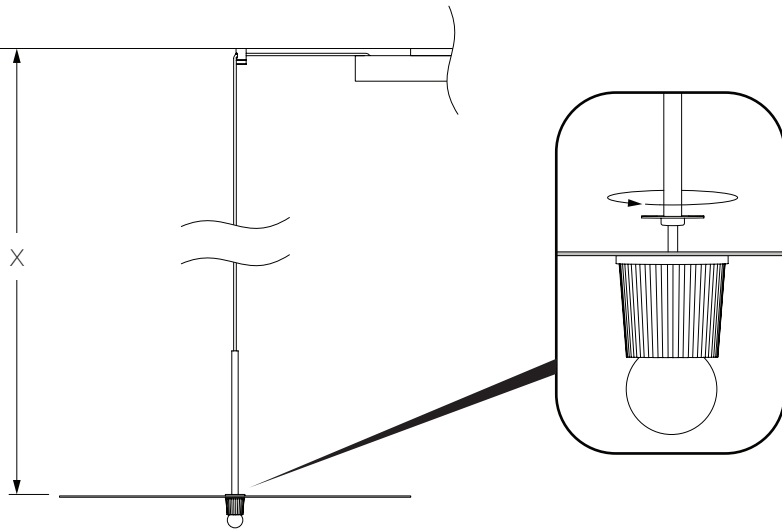
Pablo® MULTI-LIGHT CANOPY



BOLA



* BOLA: ASSEMBLE DISC AND LIGHT ENGINE



USE PROVIDED GLOVES WHEN HANDLING LAMP
TO AVOID FINGER MARKS.



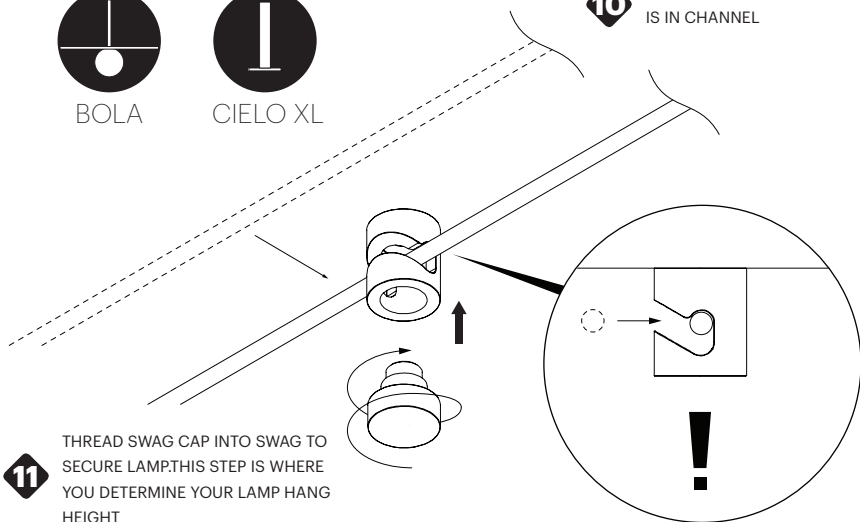
BOLA



CIELO XL



10 PLACE WIRE IN SWAG. MAKE SURE WIRE
IS IN CHANNEL

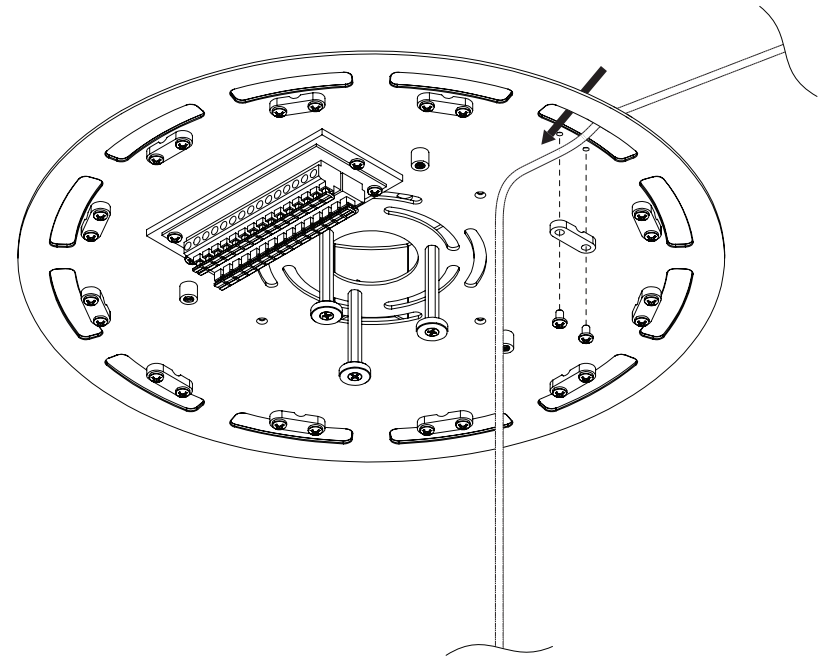


11 THREAD SWAG CAP INTO SWAG TO
SECURE LAMP. THIS STEP IS WHERE
YOU DETERMINE YOUR LAMP HANG
HEIGHT

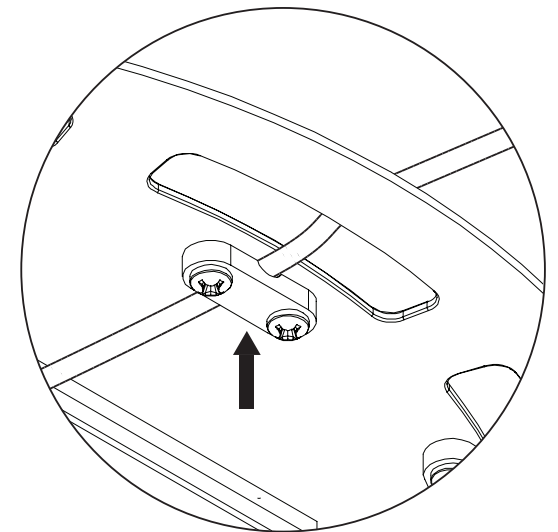
Pablo® MULTI-LIGHT CANOPY



12 THREAD WIRE THROUGH MOUNT PLATE



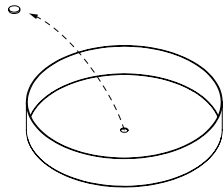
13 PULL WIRE TAUGHT AND STRAIN RELIEVE



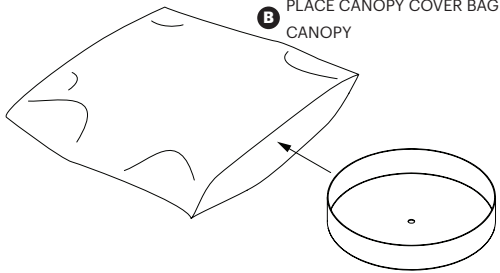
Pablo® MULTI-LIGHT CANOPY

13

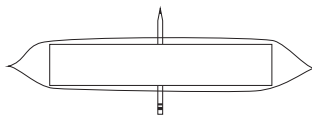
A REMOVE PLUG



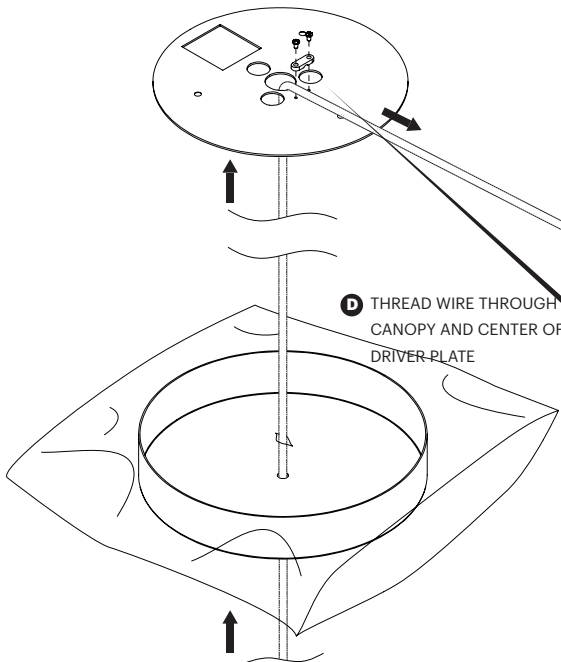
B PLACE CANOPY COVER BAG OVER CANOPY



C USING A PENCIL, PUNCTURE SMALL HOLE FOR WIRE TO PASS THROUGH



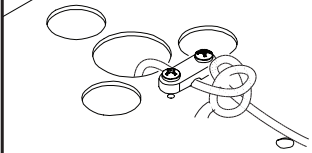
D THREAD WIRE THROUGH CANOPY AND CENTER OF DRIVER-PLATE



E

STRAIN RELIEVE WIRE ON DRIVER PLATE
NOTE FOR BOLA: THIS IS WHEN YOU SET YOUR HANG HEIGHT

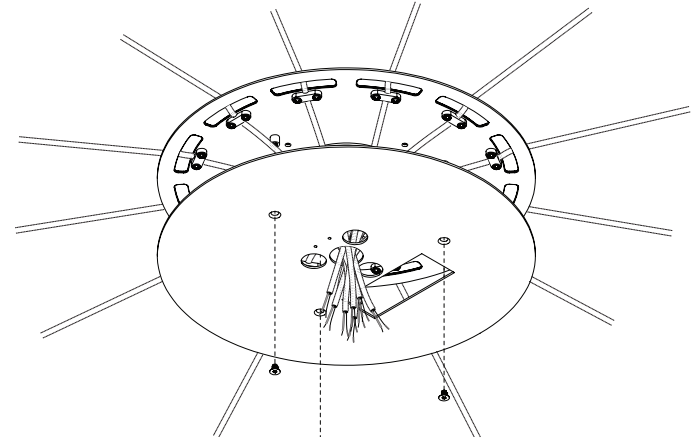
F TIE KNOT JUST PAST STRAIN RELIEF



Pablo® MULTI-LIGHT CANOPY

14

ATTACH DRIVER PLATE TO MOUNT PLATE WITH PROVIDED FLAT HEAD SCREWS
THREAD WIRES THROUGH CENTER OF DRIVER PLATE

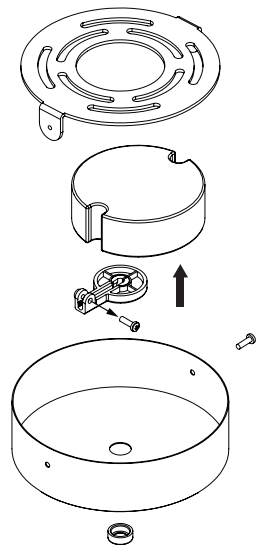
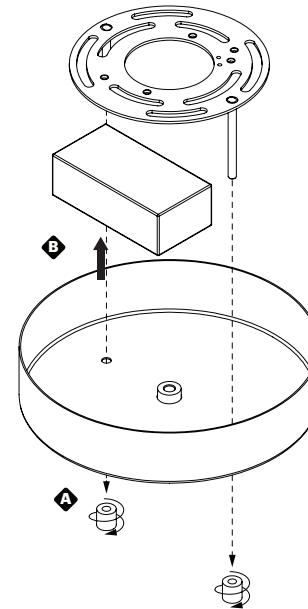


BOLA

15

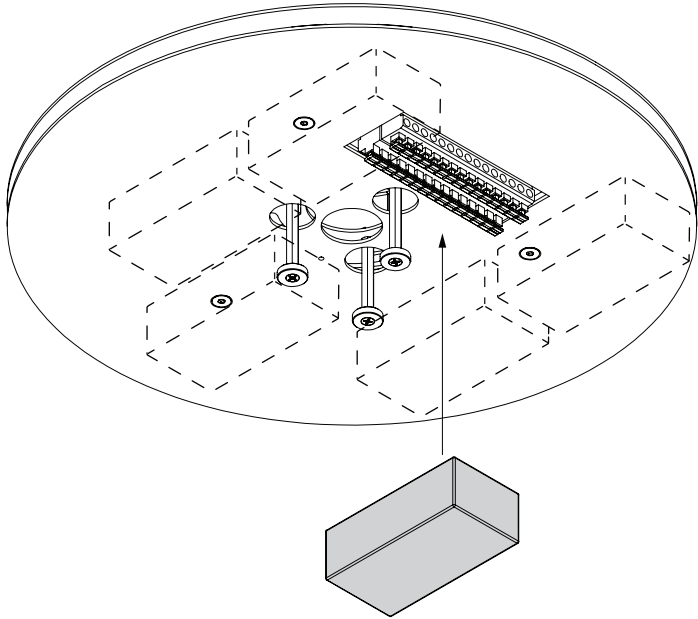


CIELO XL

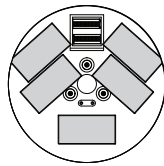
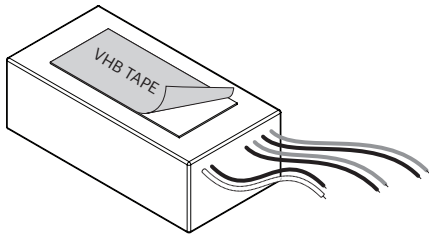


REMOVE INDIVIDUAL LAMP DRIVERS FROM INDIVIDUAL LAMP CANOPIES

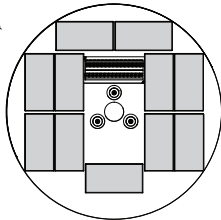
MULTI-LIGHT CANOPY



16 PEEL LINER OFF OF VHB TAPE AND ATTACH DRIVERS TO DRIVER PLATE



9" CANOPY
MAXIMUM
CAPACITY

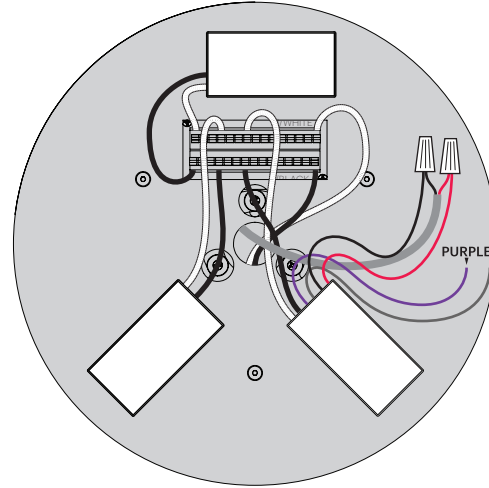
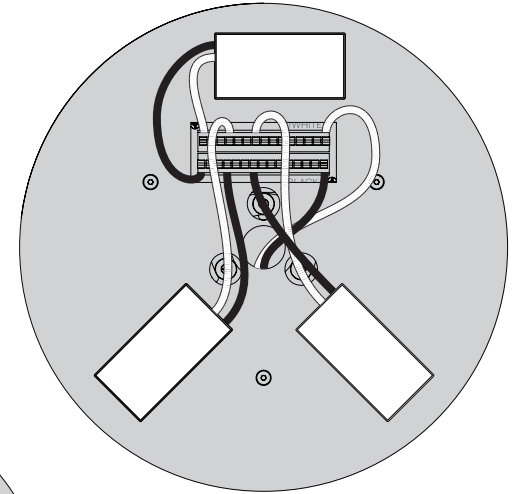


12" CANOPY
MAXIMUM
CAPACITY

MULTI-LIGHT CANOPY

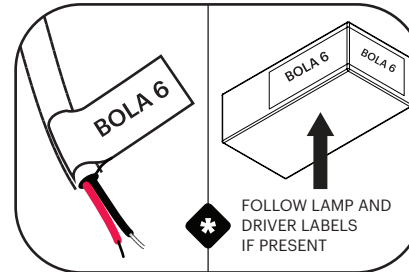
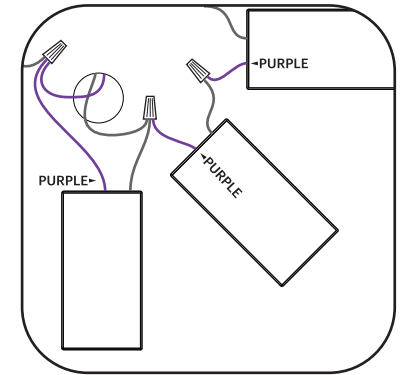
17

CONNECT DRIVERS TO TERMINAL BLOCK.
US: BLACK TO BLACK AND WHITE TO WHITE
EU: BROWN TO BROWN AND BLUE TO BLUE



18

ONE AT A TIME, WIRE LAMPS TO MATCHING DRIVERS. CUT EXCESS WIRES IF NECESSARY



***** FOLLOW LAMP AND DRIVER LABELS IF PRESENT

!

IF USING 0 - 10V DIMMING WIRE DIMMER IN PARALLEL

Pablo®

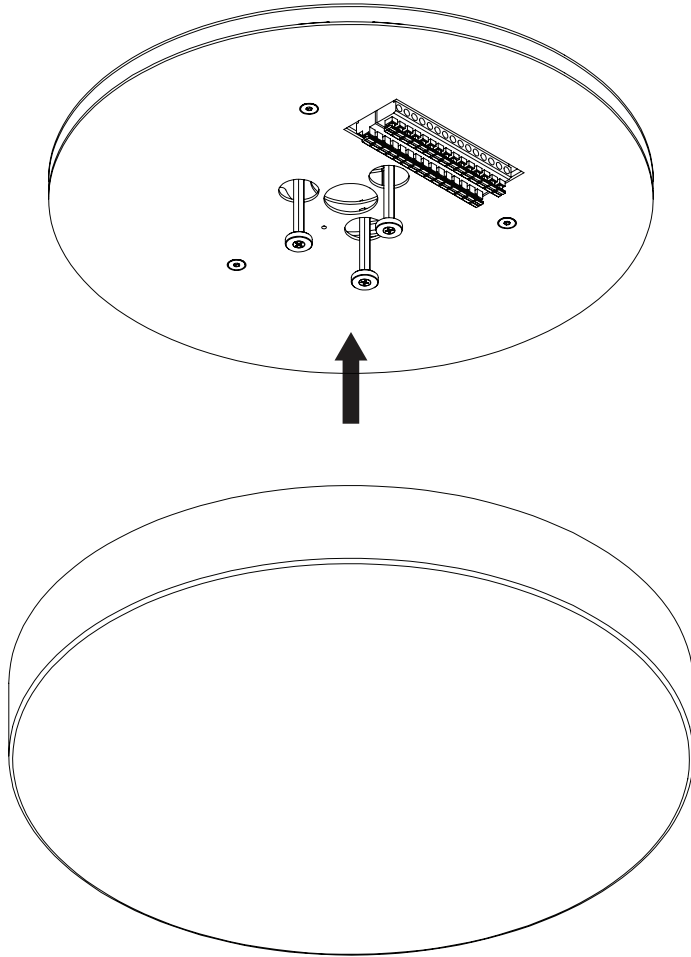
MULTI-LIGHT CANOPY

19

ATTACH CANOPY COVER

CARE INSTRUCTIONS

WIPE CLEAN WITH A SOFT DAMP CLOTH
AVOID AMMONIA BASED CLEANER.



USE PROVIDED GLOVES WHEN HANDLING LAMP
TO AVOID FINGER MARKS.

Pablo®

MULTI-LIGHT CANOPY



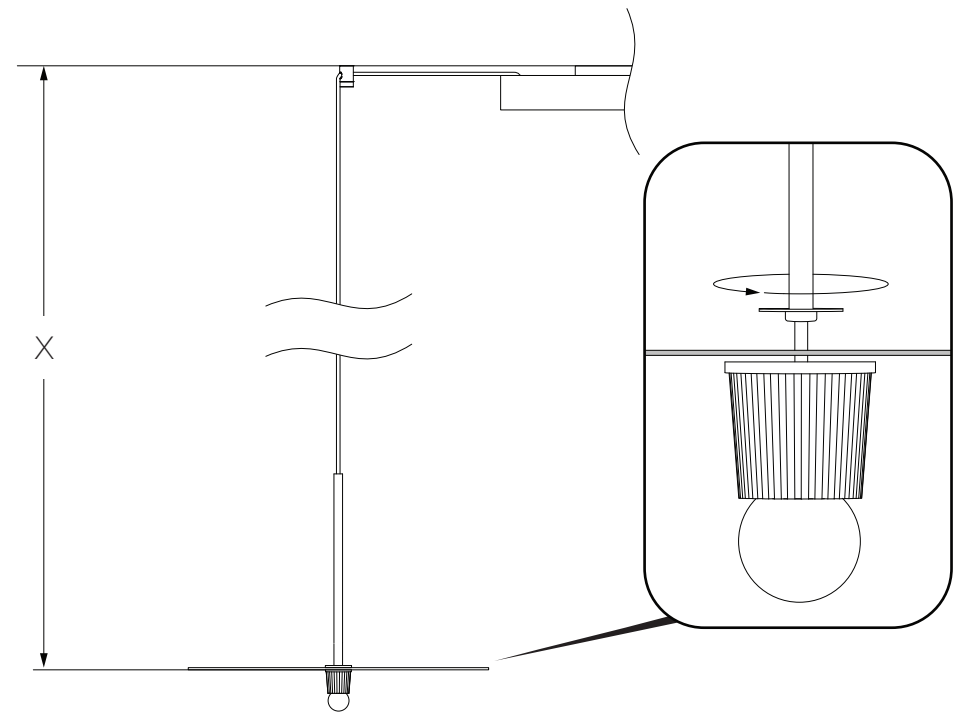
USE PROVIDED GLOVES WHEN HANDLING LAMP
TO AVOID FINGER MARKS.

20

THREAD GLOBE ONTO HEAT SINK.

CARE INSTRUCTIONS

WIPE CLEAN WITH A SOFT DAMP CLOTH
AVOID AMMONIA BASED CLEANER.



Pablo®

BOLA
DISC
FLUSH

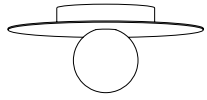
ASSEMBLY & INSTALLATION INSTRUCTIONS



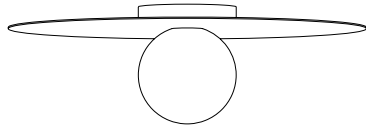
BOLA DISC FLUSH

BOLA DISC FLUSH MODELS

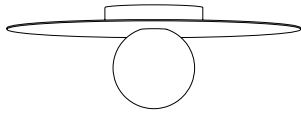
I. BOLA DISC FLUSH (CEILING MOUNTED)



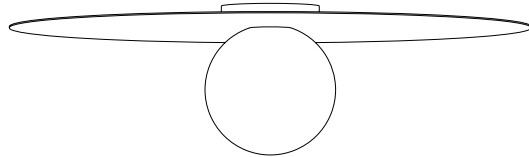
BOLA DISC FLUSH 12
4" GLOBE



BOLA DISC FLUSH 22
6" GLOBE

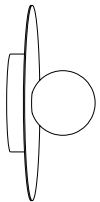


BOLA DISC FLUSH 18
5" GLOBE

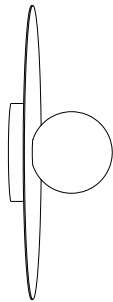


BOLA DISC FLUSH 32
8" GLOBE

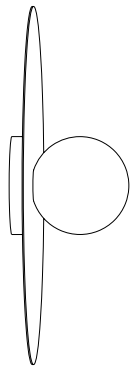
II. BOLA DISC FLUSH (WALL MOUNTED)



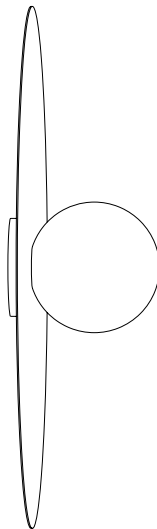
BOLA DISC FLUSH 12
4" GLOBE



BOLA DISC FLUSH 18
5" GLOBE



BOLA DISC FLUSH 22
6" GLOBE



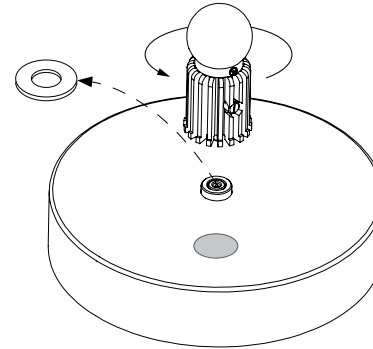
BOLA DISC FLUSH 32
8" GLOBE

BOLA DISC FLUSH

IMPORTANT: WE RECOMMEND FIXTURE BE INSTALLED BY AN ELECTRICIAN

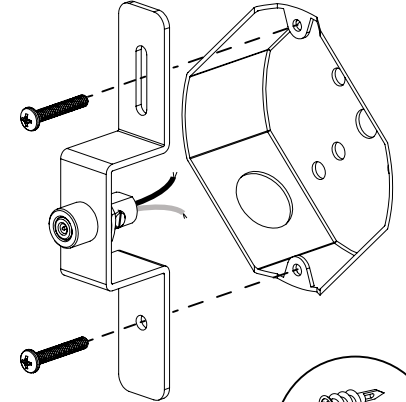
WARNING: FIXTURE MUST BE WIRED CORRECTLY OR RISK DAMAGE TO COMPONENTS

NOTE: IT IS RECOMMENDED THAT BOLA DISC FLUSH IS INSTALLED BY TWO PEOPLE.

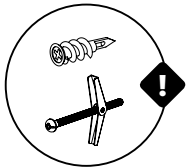


1 UNTHREAD LIGHT ENGINE FROM CANOPY, AND DISCARD FOAM WASHER.

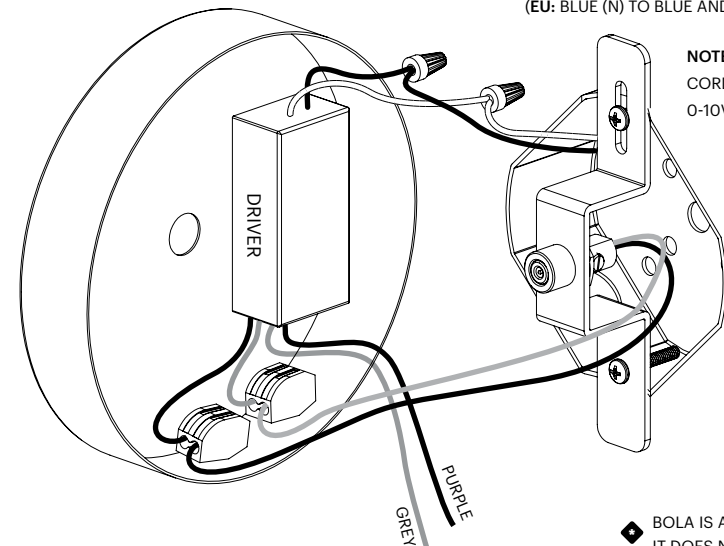
2 ATTACH MOUNTING PLATE TO JUNCTION BOX OR WALL.



WALL ANCHORS OR TOGGLE BOLTS REQUIRED WHEN JUNCTION BOXES ARE NOT USED. (NOT PROVIDED)



3 WIRE DRIVER TO BUILDING.
(US: BLACK TO BLACK AND WHITE TO WHITE)
(EU: BLUE (N) TO BLUE AND BROWN (L) TO BROWN)

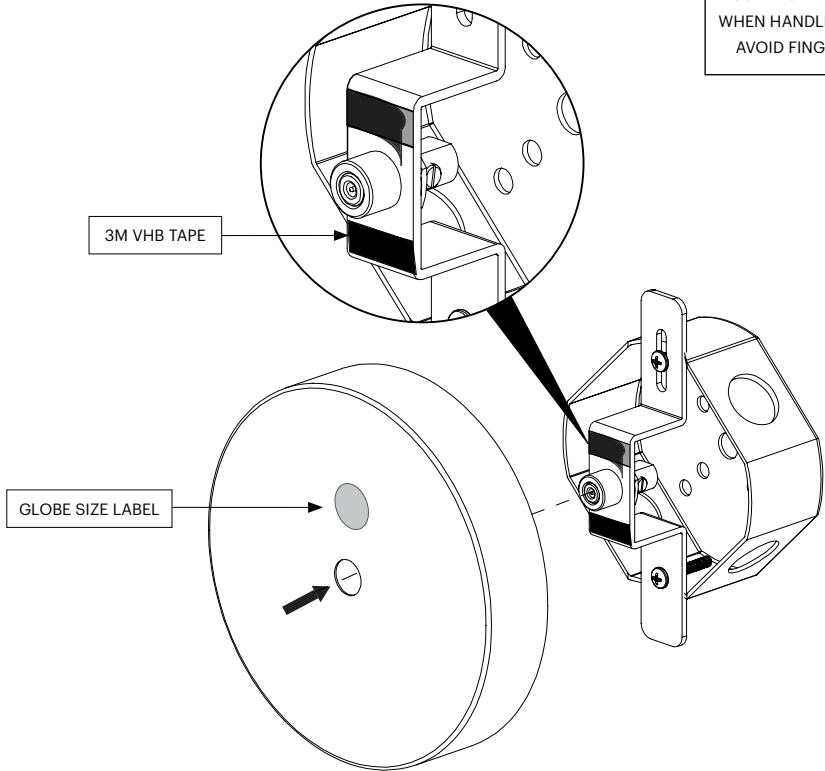
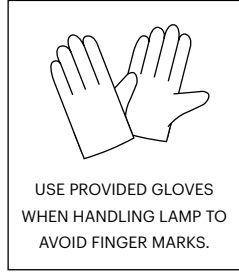


NOTE: PURPLE AND GREY CORDS ARE USED ONLY WITH 0-10V DIMMER SWITCH.

◆ BOLA IS A CLASS II FIXTURE. IT DOES NOT REQUIRE GROUNDING.

BOLA DISC FLUSH

4 PEEL BACKING FROM 3M VHB TAPE ON MOUNTING BRACKET.

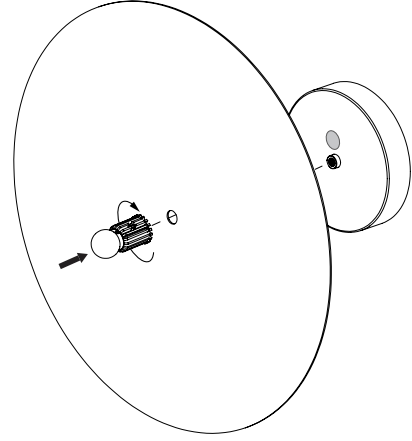


5 SECURE CANOPY COVER TO MOUNTING BRACKET.

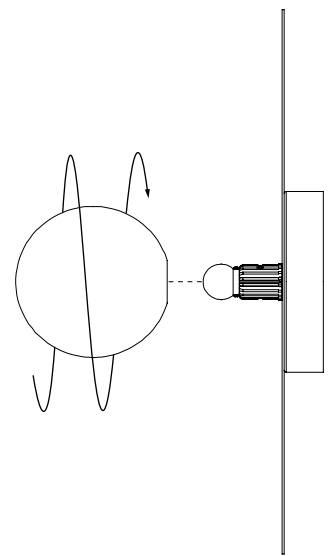
!
IF INSTALLING MULTIPLE BOLA DISC SIZES, MAKE SURE TO KEEP CORRESPONDING LIGHT ENGINE & CANOPY TOGETHER.
DO NOT MIX DIFFERENT LIGHT ENGINES & CANOPIES WITH EACH OTHER.

BOLA DISC FLUSH

6 INSTALL DISC OVER THREADED DC CONNECTOR, THEN THREAD LED LIGHT ENGINE ONTO CANOPY FIRMLY TO SECURE DISC.



7 CAREFULLY THREAD GLASS GLOBE ONTO LIGHT ENGINE WITHOUT OVER-TIGHTENING.



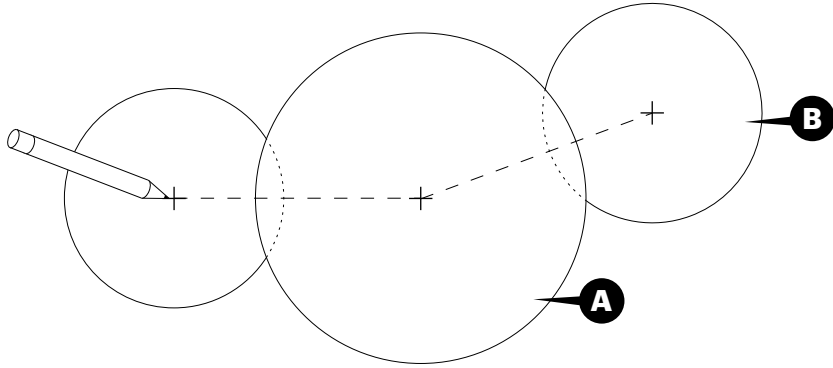
BULB TYPE
LED
FULL RANGE LIGHT CONTROL VIA 120V DIMMER (US)
OR ELV DIMMER (EU)

BULB REPLACEMENT
CONTACT MANUFACTURER FOR BULB REPLACEMENT

CARE INSTRUCTIONS
WIPE CLEAN WITH A SOFT DAMP CLOTH. AVOID AMMONIA-BASED CLEANERS.

BOLA DISC FLUSH

BOLA DISC FLUSH OVERLAPPING CONFIGURATIONS



- MARK THE CENTER OF ALL DISCS ON THE WALL. REFERENCE CHART FOR RECOMMENDED OVERLAP SPACING.
NOTE: MEASURE FROM CENTER TO CENTER.
 - WE RECOMMEND THE LARGER DISCS ALWAYS BE IN FRONT USING A STANDOFF.
- A** FRONT DISC **B** BACK DISC



ADD-ON STANDOFF REQUIRED FOR EVERY OTHER OVERLAPPING DISC.

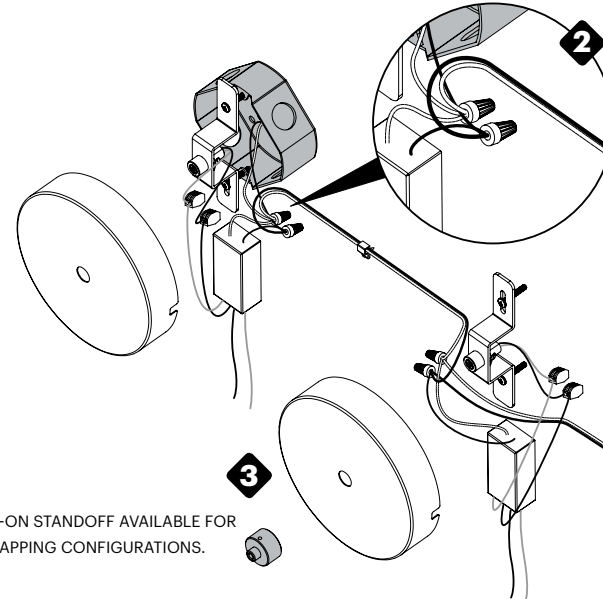
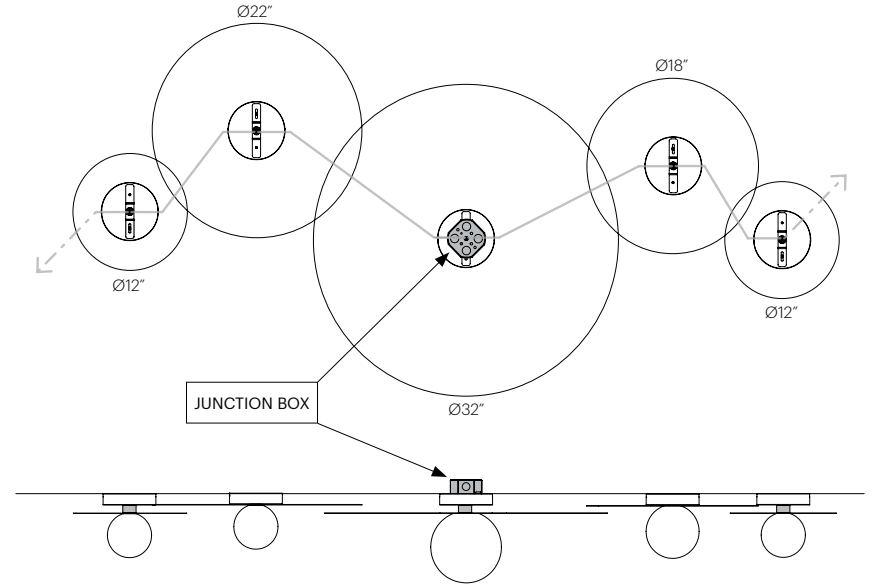
SPACING CHART FOR OVERLAPPING CONFIGURATIONS.

DISC SPACING CENTER TO CENTER		A FRONT DISC			
		BOLA DISC FLUSH 12	BOLA DISC FLUSH 18	BOLA DISC FLUSH 22	BOLA DISC FLUSH 32
B BACK DISC	BOLA DISC FLUSH 12	10.5" 26.7 CM	13.5" 34.3 CM	15.5" 39.4 CM	20.5" 52 CM
	BOLA DISC FLUSH 18	12.75" 32.4 CM	15.75" 40 CM	17.75" 45 CM	22.75" 57.8 CM
	BOLA DISC FLUSH 22	14.25" 36.2 CM	17.25" 43.8 CM	19.25" 48.9 CM	24.25" 61.5 CM
	BOLA DISC FLUSH 32	18" 45.7 CM	21" 53.3 CM	23" 58.4 CM	28" 71.1 CM

BOLA DISC FLUSH

BOLA DISC FLUSH CONFIGURATION SETUP

ONE JUNCTION BOX FEEDS ALL LIGHTS (UP TO CAPACITY OF YOUR JUNCTION BOX).



WIRE DRIVERS IN PARALLEL TO MAIN JUNCTION BOX VIA SUPPLIED 36" (91 CM) POWER CABLE.

NOTE: IF USING 0-10V DIMMING, WIRE PURPLE & GREY CORDS IN PARALLEL NEXT TO POWER CABLE. (EXTENSION NOT PROVIDED)

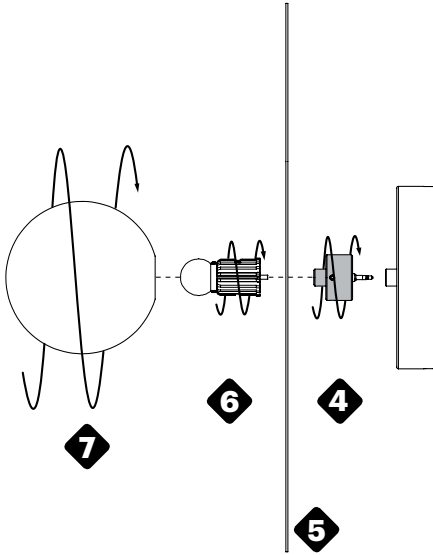
1" ADD-ON STANDOFF AVAILABLE FOR OVERLAPPING CONFIGURATIONS.

NOTE: REFER TO PREVIOUS PAGE FOR RECOMMENDED OVERLAP SPACING.

Pablo®

BOLA DISC FLUSH

BOLA DISC FLUSH CONFIGURATION SETUP



- 4 THREAD THE ADD-ON STANDOFF ONTO THE CANOPY OF THE DISC THAT YOU WANT IN FRONT.
- 5 INSTALL DISC OVER STANDOFF.
- 6 THREAD LIGHT ENGINE ONTO CANOPY FIRMLY TO SECURE DISC.
- 7 CAREFULLY THREAD GLASS GLOBE ONTO LIGHT ENGINE.

CARE INSTRUCTIONS

WIPE CLEAN WITH A SOFT DAMP CLOTH. AVOID AMMONIA-BASED CLEANERS.