

BULB TYPES

2X BT-15 72W (120V) HALOGEN OR LED



OR

2X A19 9.5W (120V) LED



LENGTH OF CORD SUPPLIED

9FT (274CM)

CARE INSTRUCTIONS

TO REMOVE DUST AND SMALL DEBRIS: CLEAN WITH A SOFT HAIR BRUSH OR USE A VACUUM.

TO REMOVE OTHER SUBSTANCES: USE A DAMP CLOTH AND IF NEEDED A MILD DETERGENT.

AVOID AMMONIA-BASED CLEANERS

Pablo®

BELMONT

TABLE

ASSEMBLY INSTRUCTIONS AND USER GUIDE

Pablo®

INFO@PABLODESIGNS.COM
INFO@PABLODESIGNS.EU

888 MARIN ST
SAN FRANCISCO, CA
94124

PABLODESIGNS.COM
PABLODESIGNS.EU

INFO@PABLODESIGNS.COM
888 MARIN STREET
SAN FRANCISCO, CA
94124

PABLODESIGNS.COM



APPROVED COMPONENTS

Pablo® BELMONT TABLE

ASSEMBLY

TOP DIFFUSER 

SHADE ASSEMBLY 

BOTTOM DIFFUSER 

BASE ASSEMBLY 

1. INSERT LOWER DIFFUSER VERTICALLY, ONCE INSIDE, ROTATE UNTIL FROSTED SIDE IS FACING DOWN AND DROP INTO PLACE MAKING SURE IT NESTS PROPERLY.

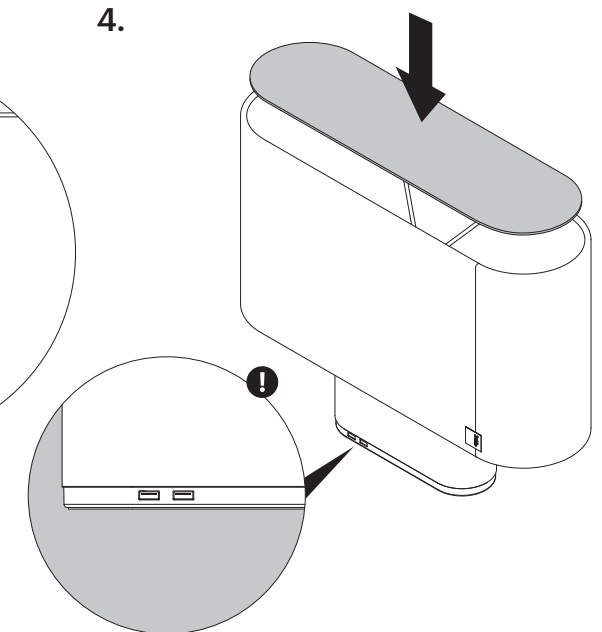
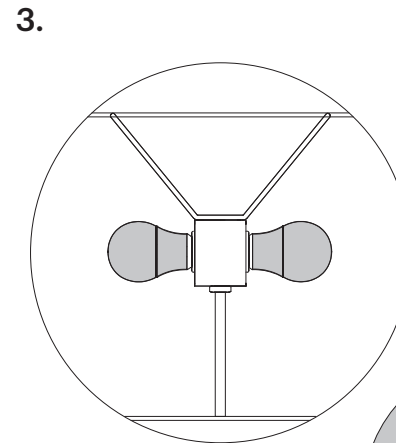
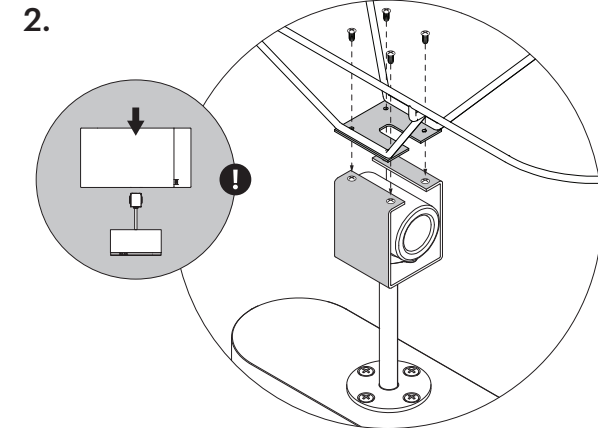
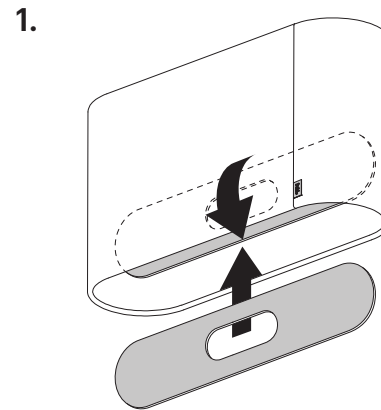
2. REMOVE 4X SCREWS IN TOP OF SOCKET ASSEMBLY. SLIP SHADE OVER SOCKET ASSEMBLY AND ATTACH WITH PROVIDED SCREWS (**NOTE! LOGO TAG FACES FRONT OF LAMP**).

3. INSTALL BULBS (**PROVIDED**)

4. LOAD UPPER DIFFUSER WITH FROSTED SIDE UP TO COMPLETE. (**NOTE! 2X USB PORTS**)

Pablo® BELMONT TABLE

ASSEMBLY



BULB TYPES

2X BT-15 72W (120V) HALOGEN OR LED



OR

2X A19 9.5W (120V) LED



LENGTH OF CORD SUPPLIED

9FT (274CM)

CARE INSTRUCTIONS

TO REMOVE DUST AND SMALL DEBRIS: CLEAN WITH A SOFT HAIR BRUSH OR USE A VACUUM.

TO REMOVE OTHER SUBSTANCES: USE A DAMP CLOTH AND IF NEEDED A MILD DETERGENT.

AVOID AMMONIA-BASED CLEANERS

Pablo®

BELMONT

FLOOR

ASSEMBLY INSTRUCTIONS AND USER GUIDE

Pablo®

INFO@PABLODESIGNS.COM
INFO@PABLODESIGNS.EU

888 MARIN ST
SAN FRANCISCO, CA
94124

PABLODESIGNS.COM
PABLODESIGNS.EU

INFO@PABLODESIGNS.COM
888 MARIN STREET
SAN FRANCISCO, CA
94124

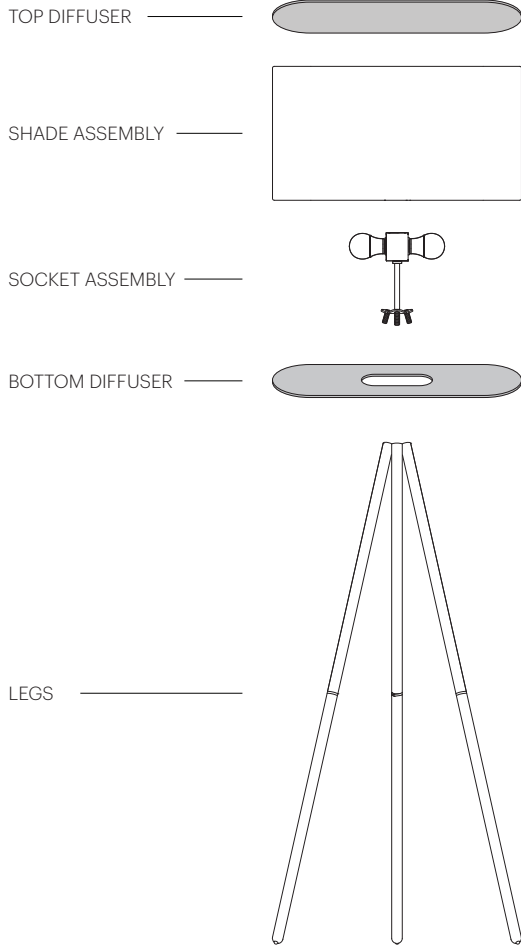
PABLODESIGNS.COM



APPROVED COMPONENTS

BELMONT FLOOR

ASSEMBLY



1. ASSEMBLE LEGS (3 LOWER SECTIONS AND 3 UPPER SECTIONS).
2. ATTACH LEGS TO SOCKET ASSEMBLY (**NOTE! REAR LEG INDICATED BY CABLE CLIP**).
3. INSERT LOWER DIFFUSER VERTICALLY, ONCE INSIDE, ROTATE UNTIL FROSTED SIDE IS FACING DOWN AND DROP INTO PLACE MAKING SURE IT NESTS PROPERLY.
4. REMOVE 4X SCREWS IN TOP OF SOCKET ASSEMBLY. SLIP SHADE OVER SOCKET ASSEMBLY AND ATTACH WITH PROVIDED SCREWS (**NOTE! LOGO TAG FACES REAR OF LAMP**).
5. INSTALL BULBS (**PROVIDED**)
6. LOAD UPPER DIFFUSER WITH FROSTED SIDE UP AND SECURE CABLE INTO CABLE CLIP TO COMPLETE.

BELMONT FLOOR

ASSEMBLY

