

METRIX Wall Sconce
3-541-xx

oxygen

FIXTURE TYPE _____

LOCATION _____

PROJECT _____

DATE _____

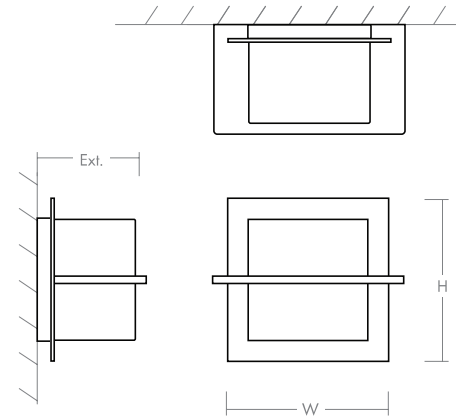


-20 Polished Nickel



-24 Satin Nickel

- LIGHT SOURCE** 1 x 10.1W LED, 3000K, CRI 90
- LUMINAIRE POWER** 12.4W at 120V
- RATED LIFE** 60000 hr RL
- OPTIONAL COLOR TEMPERATURES** 2700K, 3500K, 4000K
- LUMEN OUTPUT** Delivered: 701 lm (LM-79)
- INPUT VOLTAGE** 120V to 277V AC, 50/60Hz
- DRIVER OUTPUT** 350mA, 14.7W max power
- DIMMING** TRIAC and ELV dimming at 120V AC; 0-10V dimming, 100% to 1% current output
- CONSTRUCTION** Plated Steel and Acrylic
- DIFFUSER** - Matte White Acrylic
- FINISHES** Polished Nickel (-20), Satin Nickel (-24)
- MOUNTING** 4" Octagonal J-Box*, 4" Square J-Box* with a single device mud ring
*Deep J-Box (Required to house driver)
- STANDARDS** UL Dry/Damp listed, ADA Compliant, Conforms to UL STD 1598, Certified CAN/CSA STD C22.2 No 250.0.



- DIMENSIONS**
- W:** 5.75"
 - H:** 5.75"
 - Ext:** 3.875"
 - M.C:** 2.90" From top of fixture

Order example for standard fixture:
3-541-24 (x- Voltage - xxx-Sequence # - xx-Finish)
 3: 120V to 277V
 Order example for optional color temperatures: **3-541-2724**
 27: 2700K, 35: 3500K, 40: 4000K

