

DYNAMO Ceiling Fan
3-113-xx

oxygen

FIXTURE TYPE _____

LOCATION _____

PROJECT _____

DATE _____



-1540 Black/Aged Brass



-640 White/Aged Brass



-15 Black



-24 Satin Nickel

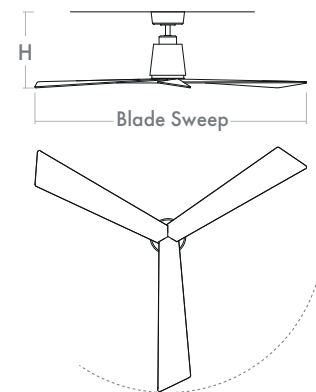
SPECIFICATIONS 3 ABS Blades / 54" Blade Sweep / 20° Blade-Pitch
DC Motor: DC-125NS
4" and 6" downrod (Included)
Optional downrods available for high ceilings
6 Speeds - Reversible with remote control
0.37A on high / 0.04A on low
28W on high / 3W on low
155 rpm on high / 52 rpm on low
Handheld Remote Control (Included)

INPUT VOLTAGE 120V

ENERGY SPECIFICATIONS Airflow: 5850 CFM
Electric Energy Consumption: 33 W (Excludes Lights)
Airflow efficiency: 178 CFM/W
Note: Measured at high speed

FINISHES Black (-15), Satin Nickel (-24),
White/Aged Brass (-640), Black/Aged Brass (-1540)

STANDARDS cUL Damp Listed



DIMENSIONS

Blade Sweep: 54.00"

Ht.: 14.00"

Ceiling to blades: 12.00"

Note: Measured using 4" downrod

ENERGYGUIDE	
Estimated Yearly Energy Cost	Airflow
\$6	4,012
	Cubic Feet Per Minute
<small>Cost Range of Similar Models (19 - 84)</small>	
<small>• Based on 12 cents per kWh and 6.4 hours use per day • Your cost depends on rates and use • Energy Use: 20 Watts</small>	
<small>All estimates based on typical use, excluding lights</small>	
<small>ftc.gov/energy</small>	

