

DECCA Pendant
3-36-xxxx

oxygen

FIXTURE TYPE _____

LOCATION _____

PROJECT _____

DATE _____



-2440 Walnut/Aged Brass

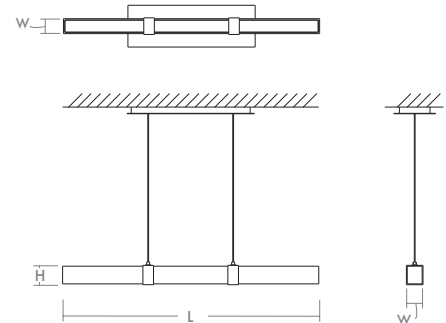


-1540 Black Oak/Aged Brass
 (with Aged Brass Canopy)



-5224 White Oak/Satin Nickel
 (with Satin Nickel Canopy)

LIGHT SOURCE	LED Array, 3000K, CRI 90
LUMINAIRE POWER	28.6W at 120V
RATED LIFE	50000 hr RL
OPTIONAL COLOR TEMPERATURES	3000K Only
LUMEN OUTPUT	Delivered: 506 lm (LM-79)
INPUT VOLTAGE	120V AC, 60Hz
DRIVER OUTPUT	24Vdc Constant Voltage, 1.7A max current
DIMMING	TRIAC Dimming (Forward Phase, Magnetic Low Voltage)
CONSTRUCTION	Cold Rolled Steel Canopy, Wood Housing
DIFFUSER	- Matte White Acrylic
FINISHES	Black Oak/Aged Brass (-1540), Walnut/Aged Brass (-2440), White Oak/Satin Nickel (-5224)
MOUNTING	4" Octagonal J-Box
STANDARDS	ETL Dry listed, Conforms to UL STD 1598, Certified CAN/CSA STD C22.2 No 250.0.



DIMENSIONS

Canopy: 18.00" L x 6.00" W x 1.00" H
Fixture: 36.25" L x 2.125" W x 2.75" H
 * Hanging height adjustable
 with 10ft. cables

Order example for standard fixture:
3-36-1540 (x- Voltage - xxx-Sequence # - xx-Finish)
 3: 120V Only

