

ENG WARNING – RISK OF FIRE AND ELECTRIC SHOCK. THIS PRODUCT IS BEST INSTALLED BY A QUALIFIED ELECTRICIAN. INSTALL IN ACCORDANCE WITH CURRENT NEC WIRING REGULATIONS.

SUITABLE FOR DRY LOCATIONS ONLY

THE FITTING MUST BE GROUNDED. TURN OFF POWER AT THE MAIN FUSE BEFORE COMMENCING INSTALLATION.

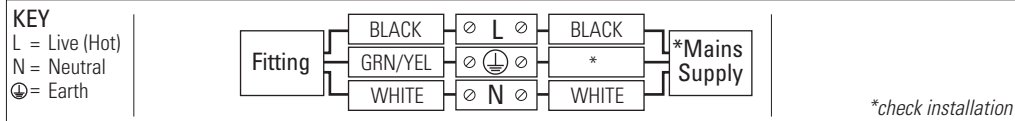
FR ATTENTION – RISQUE D'INCENDIE, RISQUE DE CHOC.

CE PRODUIT DOIT ÊTRE INSTALLÉ SELON LE CODE D'INSTALLATION PERTINENT, PAR UNE PERSONNE QUI CONNAÎT BIEN LE PRODUIT ET SON FONCTIONNEMENT AINSI QUE LES RISQUES INHÉRENTS.

POUR EMPLACEMENTS SECS SEULEMENT

L'APPAREIL DOIT ÊTRE MIS À LA TERRE. COUPEZ LE FUSIBLE PRINCIPAL AVANT DE COMMENCER L'INSTALLATION.

- 1 Ensure that the electrical supply is OFF. Disconnect the electrical supply at the fuse-board.
- 2 If removing an existing fitting first, note all wiring connections: record which of the house wires is connected to the live (hot), neutral and earth (ground) terminals.
- 3 Carefully identify where the supply cable is (and check there are no other cables in the area) to avoid damage to concealed wiring during installation.
- 4 Position the light where desired ensuring that there is access to a suitable junction box for the fixture.
- 5 Using your existing junction box, use a screwdriver to open the junction box. Keep the two existing screws. The fixture should not be mounted to a 4 x 4 square box or any other box resulting in openings into the wiring compartment.
- 6 Open your existing junction box (if you do not have one in the desired position you will need to get an electrician to install one). In your junction box there should be two supply wires and one ground wire. Connect your new lamp to the electrical supply using UL approved wire nuts. Connect the live (hot) black wire from the power supply to the black conductor on the luminaire cable, then the white (neutral) wire to the white conductor on the luminaire cable and bare copper or green/yellow ground wire to the ground terminal or green/yellow wire connected to the fitting.



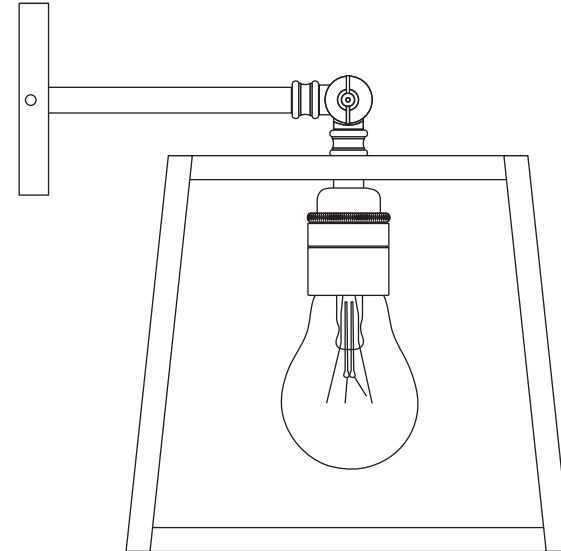
- 7 Support the fitting so that no strain is applied to the wiring when making the electrical connections.
- 8 Double check all the connections are secure, no wires are trapped behind or within the fitting and complete the installation, mounting the fitting to your junction box using the two existing bolts, following the installation diagram.
- 9 Fit the correct type and wattage of bulb, referring to guidance inside. Do not overtighten bulb.
- 10 Switch on at the fuse-board. Your light fitting is now ready for use.

Other Important Information

Switch off at mains before changing lamp(s). Never fit a lamp of greater wattage than recommended. Ensure children do not play with the light fitting. Dispose of old lamps carefully. Never leave a fitting without a lamp in position (or someone can accidentally touch the contacts). If the electrical flex or electrical components become damaged at any point, power to the fitting should be disconnected immediately and not operated until the damaged parts are fixed/replaced. For use in dry, indoor environment only. Ensure the fitting does not come into contact with any liquids.

Cleaning and Maintenance

Metal finishes should only be cleaned with a soft, dry cloth. Do not use polishes or abrasives. Glass can be cleaned by hand, using a soft damp cloth with a diluted mild detergent (nonabrasive) or suitable glass cleaner if necessary. Switch off power to the fitting before cleaning.



Established in 1990, Original BTC manufactures relaxed, familiar lighting for traditional and contemporary homes. All products are hand-assembled in Oxford from high quality components, produced in the UK.

ORIGINALBTC.COM
+44 (0)1993 882 251

UNIT 21 / 22 AVENUE ONE, STATION LANE, WITNEY, OX28 4XZ, ENGLAND



ORIGINAL BTC
BRITISH LIGHTING MANUFACTURERS
LONDON - PARIS









Quad Wall Light 7636

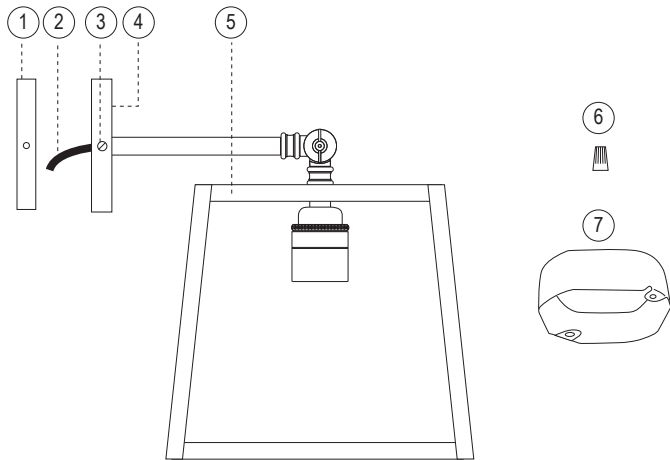
| 120V ac 60Hz | IP20

US-DP7636

Quad Wall Light

LAMP GUIDANCE			
BASE	SHAPE	TYPE*	WATTAGE**
 E26	 A	 INCANDESCENT ✓	60W MAX
		 CFL ✓	15W
		 ECO-HALOGEN ✓	28W
		 LED ✓	12W

* Warm white (2700k) low energy lamps recommended.
 ** Wattage value provided as a guide to suitable lamps. Lower wattage than stated may be used.



Contents

- 1 - Fixing plate
- 2 - Luminaire flex
- 3 - 2 x Backplate fixing screws
- 4 - Backplate
- 5 - Glazed box lantern

Required for Installation

- Wire nuts (6)
- Junction box (7)
- Screwdriver

PLEASE READ THE INSTRUCTIONS ON THE REVERSE BEFORE YOU BEGIN INSTALLING YOUR LIGHT

Installation and Assembly Instructions

STEP 1

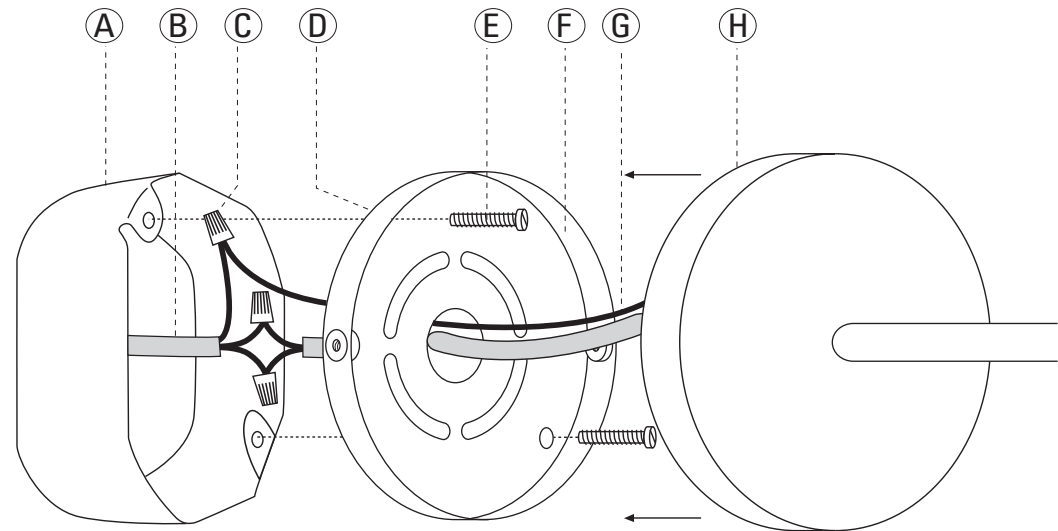
- Ensure the two side fixings on the fixing plate are completely level, before installing fixing plate. This will ensure the light fitting sits straight and level when mounted to the wall.
- Make connection to the main supply following the instructions overleaf.

STEP 2

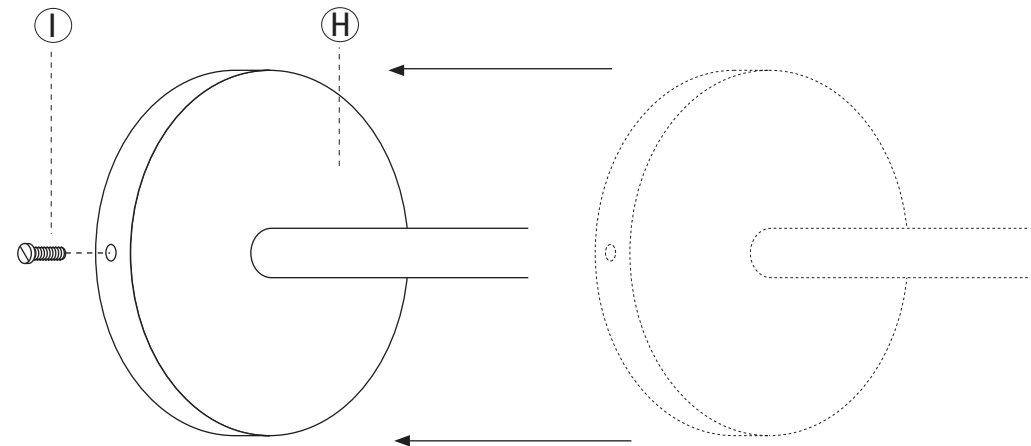
- While supporting the fitting, push the backplate over the fixing plate, so that the two side holes line up on both the backplate and the fixing plate.
- Insert the two side fixings, then screw in firmly, ensuring the fitting is mounted securely to the wall.

Installation Diagram

STEP 1



STEP 2



Key

- | | | |
|-----------------|----------------------|----------------------|
| A Junction Box* | D Fixing Plate | G Luminaire cable |
| B Main Supply | E Side Fixing Screws | H Backplate |
| C Wire Nuts* | F Fixing Plate | I Side fixing screws |

*not supplied