

Safety & Installation Instructions

v1.2-05.19

ENG WARNING – RISK OF FIRE AND ELECTRIC SHOCK.
SUITABLE FOR DRY LOCATIONS ONLY
FR ATTENTION – RISQUE D'INCENDIE, RISQUE DE CHOC.
POUR EMPLACEMENTS SECS SEULEMENT

These instructions are provided for your safety in order to prevent the risk of Fire, Electric shock or Injury. It is vitally important that they are read in their entirety before installing your fitting. Please retain for future reference.

1. If you are in any doubt consult a qualified electrician as to the installation of the fitting.
2. Ensure that the electrical supply is OFF. Disconnect the electrical supply at the fuse-board.
3. Identify any concealed wiring or pipes in the chosen installation location before beginning the installation to avoid damage.
4. Position the light where desired ensuring that there is suitable support adjacent to where you will connect to the house supply and mark position of fixing holes, before drilling appropriate holes as below.
5.
 - a. Brick or masonry: Drill holes into which the wall plugs tightly fit, then insert wall plugs.
 - b. Wood: No hole necessary (unless small pilot hole required), screws can be screwed directly into the timber.
 - c. Plaster/Cavity: Special cavity wall fittings are required, rather than provided fixings. These are widely available from good hardware or DIY store and should come with their own instructions that must be followed. It may be easier to relocate the fitting so that you screw directly into a timber joist or beam.
6. Follow the instructions inside to complete the installation
7. Fit the correct type and wattage of lamp (or less). Be careful not to overtighten the lamp.
8. Switch on at the fuse-board. Your light fitting is now ready for use.

Other Important Information

- Ensure the lamp type and max wattage is followed- do not exceed. Take care not to overtighten lamp.
- Do not touch the lamp (bulb) or lamp holder while in operation, as both become very hot.
- Turn off and unplug fitting, leaving lamp to cool before changing lamp. Dispose of old lamps carefully.
- Adjust light fitting only when power to the fitting is off and has been left to cool.
- Never leave a fitting without a lamp in position.
- Keep light fitting away from combustible materials such as soft furnishings.
- Ensure children do not play with the light fitting. Trailing cables can pose a strangulation hazard to young children. If the light is to be installed in an area young children can access unsupervised we recommend attaching the cable to the wall using a suitable cable clip, available at good hardware stores.
- If the electrical flex or electrical components become damaged at any point, the fitting must be unplugged from the power supply immediately and not operated until the damaged parts are fixed/replaced.
- For use in a dry, indoor environment only. Ensure the fitting does not come into contact with any liquids.

Cleaning and Maintenance

Metal finishes should only be cleaned with a soft, dry cloth. Do not use polishes or abrasives. Bone china can be cleaned by hand, using a soft damp cloth with a diluted mild detergent (nonabrasive) if necessary. Switch off power to the fitting before cleaning. Spare parts are available for this product, please contact us on the details below.

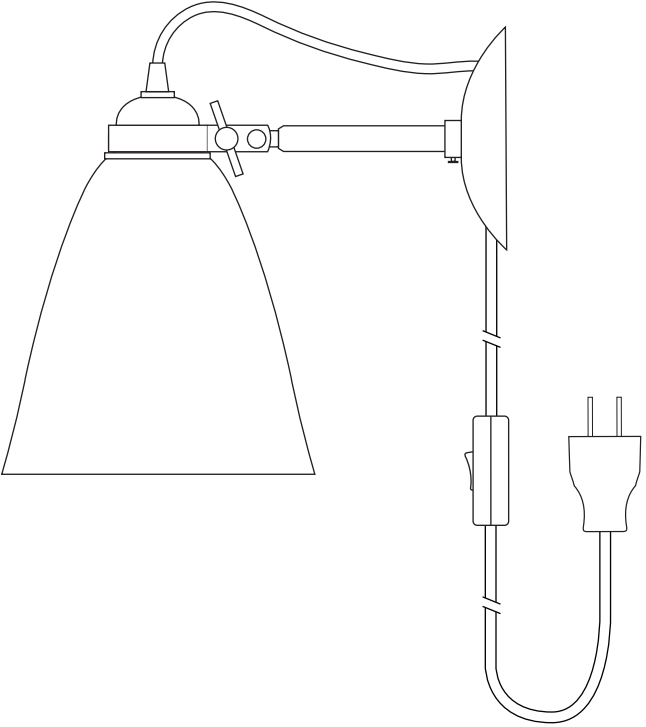
Established in 1990, Original BTC manufactures relaxed, familiar lighting for traditional and contemporary homes. All products are hand-assembled in Oxford from high quality components, produced in the UK.

ORIGINALBTC.COM
+44 (0)1993 882 251
UNIT 21 / 22 AVENUE ONE, STATION LANE, WITNEY, OX28 4XZ, ENGLAND

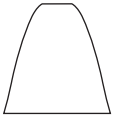


Hector Medium Wall Light PSC

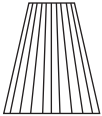
Instruction Manual



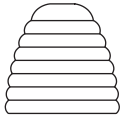
Medium Dome
US-FW343



Medium Pleat
US-FW508



Bibendum
US-FW504



ORIGINAL BTC
BRITISH LIGHTING MANUFACTURERS
LONDON - NEW YORK - PARIS






Hector Medium Wall Light PSC

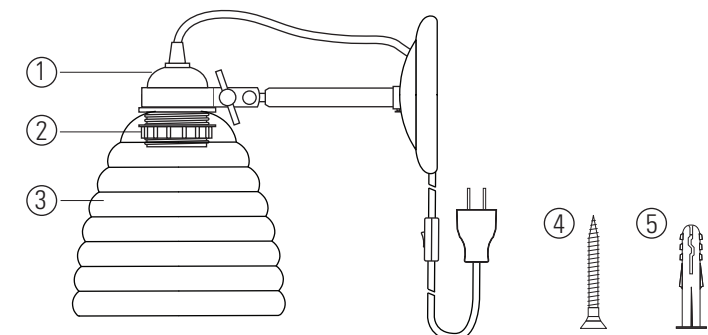
| 120V ac 60Hz | IP20

US-FW343 Hector Medium Dome
 US-FW508 Hector Medium Pleat
 US-FW504 Hector Bibendum

A British design classic in translucent bone china. With its moveable shade and smart cotton braided flex, the Hector Medium P/S/C marries style and function. The range includes a selection of simple bone china pendants, floor lights and table lights, with several shade varieties.

LAMP GUIDANCE Hector Medium			
BASE	SHAPE	TYPE*	WATTAGE**
 E26	 A	INCANDESCENT ✓	40W MAX
	 BALL	CFL ✓	11W
		ECO-HALOGEN ✗	n/a
		LED ✓	7W

* Warm white (2700k) low energy lamps recommended.
 ** Wattage value provided as a guide to suitable lamps. Lower wattage than stated may be used.



Contents

- 1 - Base plate/stem/lampholder
- 2 - Shade ring
- 3 - Shade
- 4 - 2 x Fixing screws
- 5 - 2 x Rawl plugs

Required for Installation

- Screwdriver, cross-head
- Small screwdriver, flat-head
- Drill (if holes are required)

PLEASE READ THE INSTRUCTIONS ON THE REVERSE BEFORE YOU BEGIN INSTALLING YOUR LIGHT

Installation and Assembly Instructions

This product is made from Fine Bone China; take care when handling this product during installation. Excessive force can cause damages or breakages.

Refer to diagrams on opposite page.

STEP 1

Release the grub screw on the 'slip ring' (A), then slide with backplate (B) along stem (C).

STEP 2

Mark fixing holes through bracket (D) before drilling holes, see point 5 and 6 on reverse.

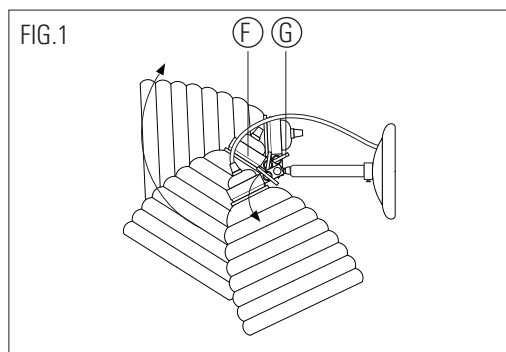
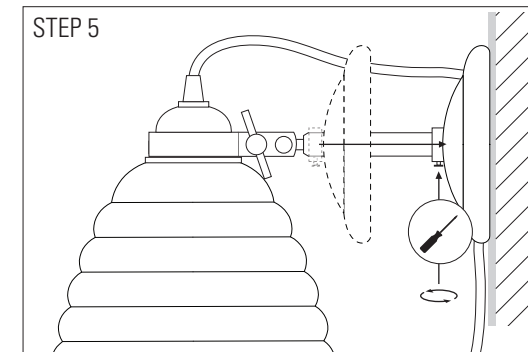
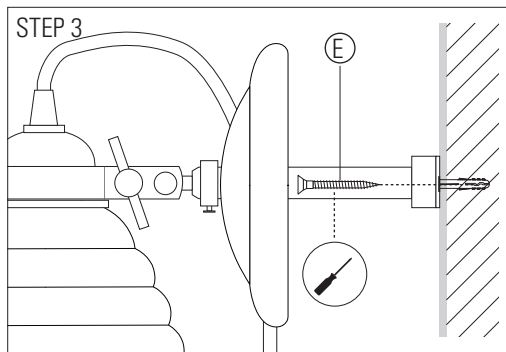
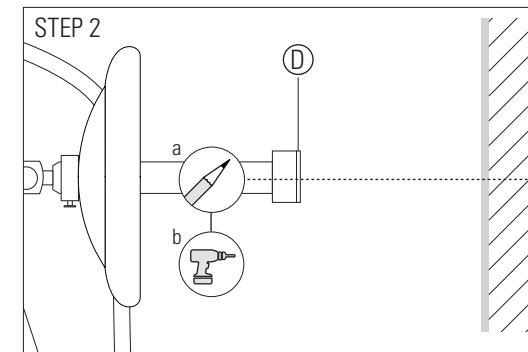
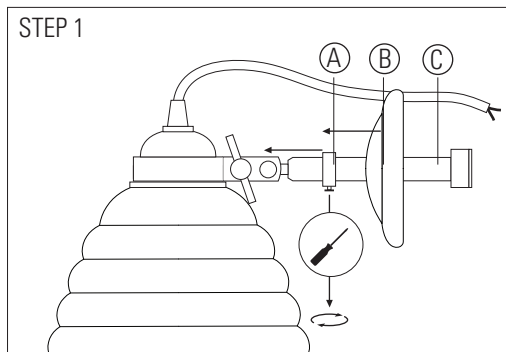
STEP 3

Screw bracket to wall.

STEP 4

Slide china base plate over bracket so it meets the wall, then secure by tightening screw on slip ring.

Installation Diagram



Key

- A Slip Ring
- B Backplate
- C Stem
- D Fixing Bracket
- E Fixing screws
- F Clamp ring
- G Clamp handle

Adjusting Shade

- See fig.1. With one hand supporting the shade, gently loosen the clamp handle (G). One quarter-turn, in an anti-clockwise direction should be sufficient.
- The shade can then be moved into desired position, ensuring the clamp remains attached to the stem, but without applying excessive force to the washers on the inside of the clamp. Ensure the shade is still supported whilst adjusting position.
- Secure in place by gently tightening clamp handle, **taking care NOT to overtighten**, as this can damage the clamp.
- Do not adjust the position of the shade without loosening the clamp first, as this will damage the washers.