

Safety & Installation Instructions

v2.0-03.20

ENG WARNING – RISK OF FIRE AND ELECTRIC SHOCK. THIS PRODUCT IS BEST INSTALLED BY A QUALIFIED ELECTRICIAN. INSTALL IN ACCORDANCE WITH CURRENT NEC WIRING REGULATIONS.

SUITABLE FOR DRY LOCATIONS ONLY

THE FITTING MUST BE GROUNDED. TURN OFF POWER AT THE MAIN FUSE BEFORE COMMENCING INSTALLATION.

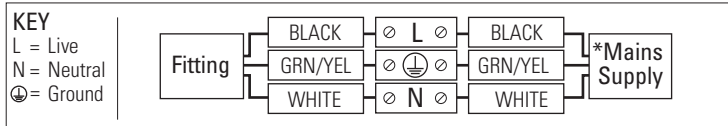
FR ATTENTION – RISQUE D'INCENDIE, RISQUE DE CHOC.

CE PRODUIT DOIT ÊTRE INSTALLÉ SELON LE CODE D'INSTALLATION PERTINENT, PAR UNE PERSONNE QUI CONNAÎT BIEN LE PRODUIT ET SON FONCTIONNEMENT AINSI QUE LES RISQUES INHÉRENTS.

POUR EMPLACEMENTS SECS SEULEMENT

L'APPAREIL DOIT ÊTRE MIS À LA TERRE. COUPEZ LE FUSIBLE PRINCIPAL AVANT DE COMMENCER L'INSTALLATION.

1. If you are in any doubt consult a qualified electrician as to the installation of the fitting. Install in accordance with current NEC wiring regulations. It is recommended that this fitting is installed by a qualified electrician.
2. Ensure that the electrical supply is OFF. Disconnect the electrical supply at the fuse-board.
3. If removing an existing fitting first, note all wiring connections: record which of the house wires is connected to the live, neutral and earth terminals.
4. Carefully identify where the supply cable is (and check there are no other cables in the area) to avoid damage to concealed wiring during installation.
5. Position the light where desired ensuring that there is access to a suitable junction box for the fixture.
6. Using your existing junction box, use a screwdriver to open the junction box. Keep the two existing screws. This fitting should be installed on a 4" junction box (not supplied).
7. Support the fitting so that no strain is applied to the wiring when making the electrical connections. If necessary get a colleague to help.
8. Electrical connection: this light fitting must be grounded. In your junction box there should be two supply and one ground wire. Connect the power supply (live) Black wire to the Black conductor on the lamp cord, neutral White wire to the White conductor on the lamp cord and ground wire (normally green & yellow or bare copper) to the green/yellow wire.



9. Double check all the connections are secure and that no loose strands of wire are left out of the connectors, then fit all the wires and connections back into the junction box.
10. Check that no wires are trapped behind or within the fitting and complete the installation, referring to the installation diagram inside.
11. Fit the correct type and wattage of lamp (or less). Be careful not to overtighten the lamp.
12. Switch on at the fuse-board. Your light fitting is now ready for use.

Other Important Information

Switch off at mains before changing lamp(s). Never fit a lamp of greater wattage than recommended. Ensure children do not play with the light fitting. Dispose of old lamps carefully. Never leave a fitting without a lamp in position (or someone can accidentally touch the contacts). Adjust fitting only when power to the fitting is off and has been left to cool. If the electrical flex or electrical components become damaged at any point, power to the fitting should be disconnected immediately and not operated until the damaged parts are fixed/replaced. For use in dry, indoor environment only. Ensure the fitting does not come into contact with any liquids.

Cleaning and Maintenance

Metal finishes should only be cleaned with a soft, dry cloth. Do not use polishes or abrasives. Bone china can be cleaned by hand, using a soft damp cloth with a diluted mild detergent (nonabrasive) if necessary. Switch off power to the fitting before cleaning. Spare parts are available for this product, please contact us on the details below.

Established in 1990, Original BTC manufactures relaxed, familiar lighting for traditional and contemporary homes.

All products are hand-assembled in Oxford from high quality components, produced in the UK.

ORIGINALBTC.COM

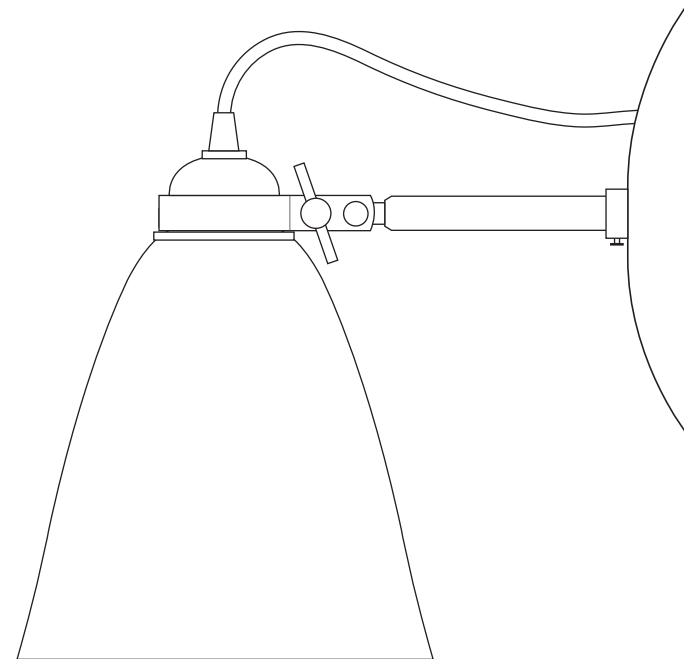
+44 (0)1993 882 251

UNIT 21 / 22 AVENUE ONE, STATION LANE, WITNEY, OX28 4XZ, ENGLAND

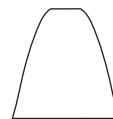


Hector Medium Wall Light

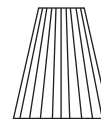
Instruction Manual



Medium Dome
Hector 30
US-FW317



Medium Pleat
US-FW384



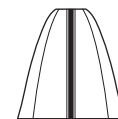
Medium Flowerpot
US-FW441



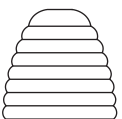
Circle Line
US-FW317CL



Linear
US-FW502



Bibendum
US-FW498



ORIGINAL BTC
BRITISH LIGHTING MANUFACTURERS
LONDON - NEW YORK - PARIS






Hector Medium Wall Light

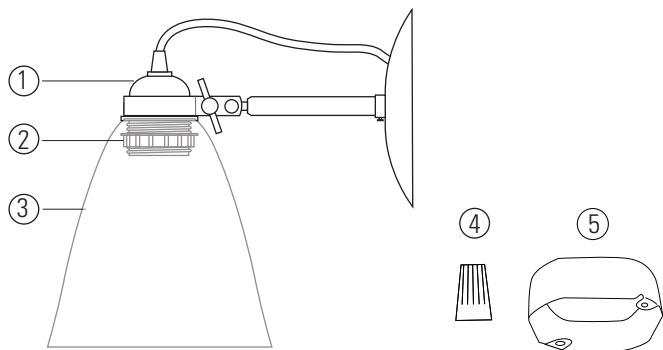
| 120V ac 60Hz | IP20

US-FW317 Hector Medium Dome
 US-FW317 Hector 30
 US-FW384 Hector Medium Pleat
 US-FW441 Hector Medium Flowerpot

US-FW317/CL Circle Line, Medium
 US-FW502 Linear, Medium
 US-FW498 Bibendum

LAMP GUIDANCE Hector Medium			
BASE	SHAPE	TYPE*	WATTAGE**
 E26	 A	 BALL	INCANDESCENT ✓
			CFL ✓
			ECO-HALOGEN ✗
			LED ✓
			40W MAX
			11W
			n/a
			7W

* Warm white (2700k) low energy lamps recommended.
 ** Wattage value provided as a guide to suitable lamps. Lower wattage than stated may be used.



Contents

- 1 - Base plate/stem/lampholder
- 2 - Shade ring
- 3 - Shade

Required for Installation

- Screwdriver, cross-head
- Small screwdriver, flat-head
- 2 x Wire Nuts (4) & Junction Box (5)

PLEASE READ THE INSTRUCTIONS ON THE REVERSE BEFORE YOU BEGIN INSTALLING YOUR LIGHT

Installation and Assembly Instructions

This product is made from Fine Bone China; take care when handling this product during installation. Excessive force can cause damages or breakages.

Refer to diagrams on opposite page.

STEP 1

Release the grub screw on the 'slip ring' (A), then slide with backplate (B) along stem (C).

STEP 2

Line up fixing bracket (D) with corresponding holes on your junction box (F) and fix securely in place using junction box screws (G)

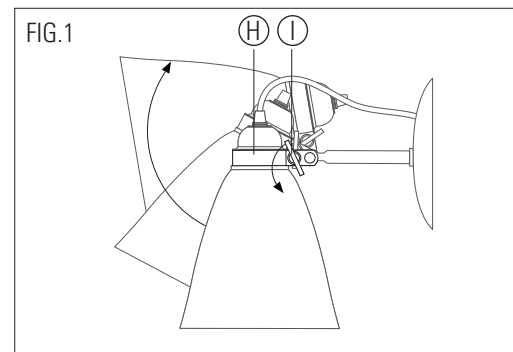
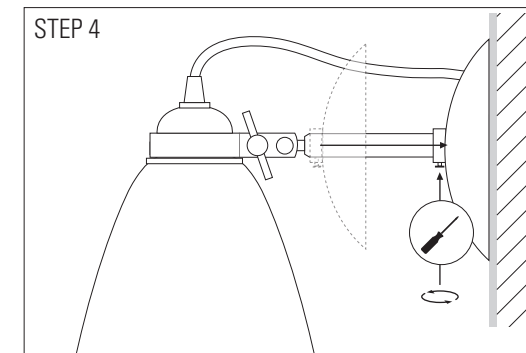
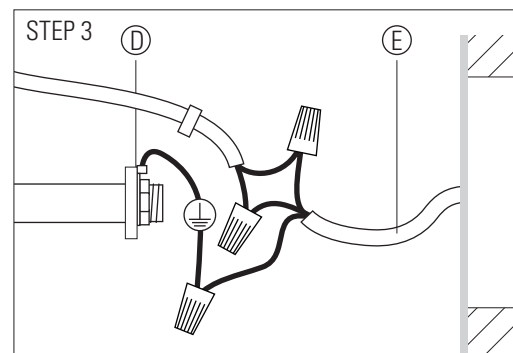
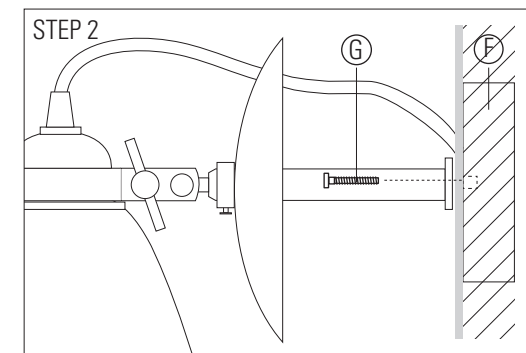
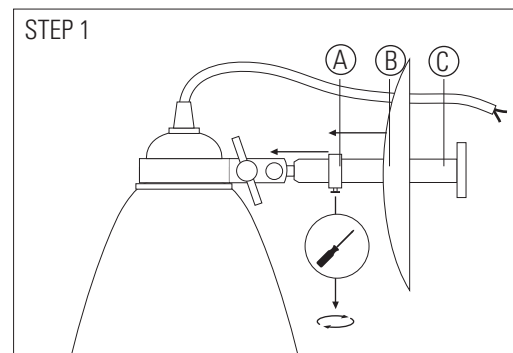
STEP 3

Make electrical connection, see point 5 on reverse page.

STEP 4

Slide back plate over bracket so it meets the wall, then secure by tightening screw on slip ring.

Installation Diagram



Key	
A Slip Ring	F Junction Box*
B Backplate	G Junction Box screws*
C Stem	H Clamp ring
D Fixing Bracket	I Clamp handle
E Main Supply	*not supplied

Adjusting Shade

- See fig.1. With one hand supporting the shade, gently loosen the clamp handle (I). One quarter-turn, in an anti-clockwise direction should be sufficient.
- The shade can then be moved into desired position, ensuring the clamp remains attached to the stem, but without applying excessive force to the washers on the inside of the clamp. Ensure the shade is still supported whilst adjusting position.
- Secure in place by gently tightening clamp handle, **taking care NOT to overtighten**, as this can damage the clamp.
- Do not adjust the position of the shade without loosening the clamp first, as this will damage the washers.