

FLOS

■ F4640030 Black

OK

Designed by Konstantin Grcic, 2014

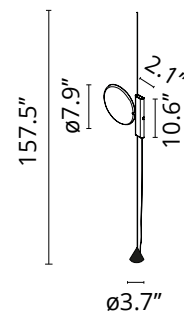
18W - 1551lm - 2700K



Lamp providing direct light. Head in gloss varnished. Body in injection-stamped PA66+30%FV with cover in gloss varnished. Orientable head. The light fitting can be moved vertically by running the internal structure of the body on a steel cable tensioned between the ceiling and the floor (useful length 4000mm). Dimmable switch with Soft Touch technology. Adaptor on plug connector with interchangeable plugs.

Are you a professional and your project needs consulting and support?

[BOOK AN APPOINTMENT](#)



Main specifications

EAN	8059607005064
Mounting	Suspension
Environments	Indoor dry location
Light Source Type	LED
LED type	LED Module
Power (W)	18
System flux (lm)	1551

Physical

Color	Black
Cord length (in)	157
Net weight (lb)	6.39
Package height (in)	5.51
Package width (in)	13.39
Package length (in)	15.35
Package volume (in)	1132.84
IP internal	20

Download

Mounting instructions	↓ PDF
Mounting instructions	↓ PDF
Spare Parts	↓ PDF

Photometric Files

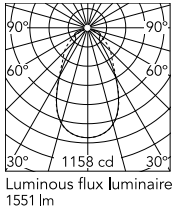
LDT / IES	↓ LDT
-----------	-----------------------

Technical Drawings

2D	↓ ZIP
3D	↓ ZIP



Schematic light drawing



Photometric

Lighting type	Direct
Light distribution	Symmetric
CCT (K)	2700

Electrical

Insulation class	III
Frequency (Hz)	50/60
Main voltage (Vac)	100-240/24
LED voltage Vf (Vdc)	null
Driver	Remote included
Dimmable	Yes
Dimming type	Electronic 24V
Dimming interface	Dimmer Integrated
Plug type	Type G, Type A, Type C
Batteries inside	No
Charging min time	No

Ecodesign and Energy Labelling

This product contains a light source of energy efficiency class F

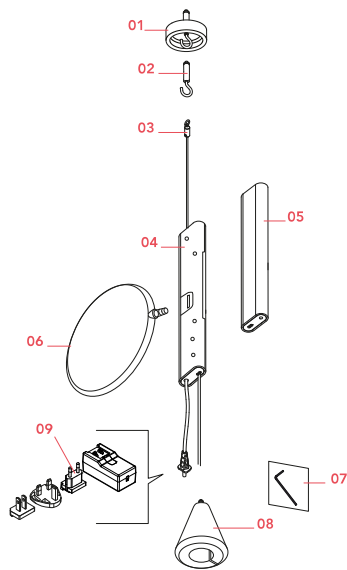


Replaceable (LED only) light source by a professional



Replaceable control gear by an end-user

Spare Parts



02.	Anchor with hook	RF4640100
03.	Steel cable 6mt.	RF4640200
03.	Steel cable 6mt.	RF4640300
04.	Internal lamp body assembly	RF4640400
06.	Black led head assembly	RF28254
08.	Counterweight	RF23023
09.	Black plug assembly kit & 24V driver	RF3320100

DOWNLOAD



RF4640100

Anchor with hook



RF4640200

Steel cable 6mt.



RF4640300

Steel cable 6mt.



RF4640400

Internal lamp body assembly



RF28254

Black led head assembly



RF23023

Counterweight



RF3320100

Black plug assembly kit & 24V driver