



# OASIS

901652FAW-NWA

OASIS 52" FAN

DETAILS	
FAN FINISH:	Appliance White
BLADE COUNT:	5

DIMENSIONS	
WIDTH:	52"
HEIGHT:	14.3"
TOP TO OUTLET:	0"

LIGHT SOURCE	
VOLTAGE:	120v

MOUNTING	
CANOPY:	6.25" Dia.
LEAD WIRE:	1 X 76"

Part of the Regency Series, Oasis offers a simple yet classic all-you-need design. Available in Appliance White, Brushed Nickel, Chalk White, Graphite, Matte Black or Metallic Matte Bronze finish options, Oasis is so versatile; it can be used for both indoor and outdoor spaces. Blades are included with every fan.

## PRODUCT DETAILS:

- This item includes a 4.5" down rod. Various lengths are available to customize the installation height.
- Suitable for use in wet (interior direct splash and outdoor direct rain or sprinkler) locations as defined by NEC and CEC. Meets United States UL Underwriters Laboratories.
- This item may be hung on a sloped ceiling
- Pull chain manual reverse, accessory controls available
- Additional blade options are available
- Add a functional light kit to customize the look of the fan
- The Regency Series features a range of traditional ceiling fans designed to enhance a wide variety of spaces with ease.
- Fan housing and components are constructed of composite materials to offer maximum durability in harsh climates

# HINKLEY

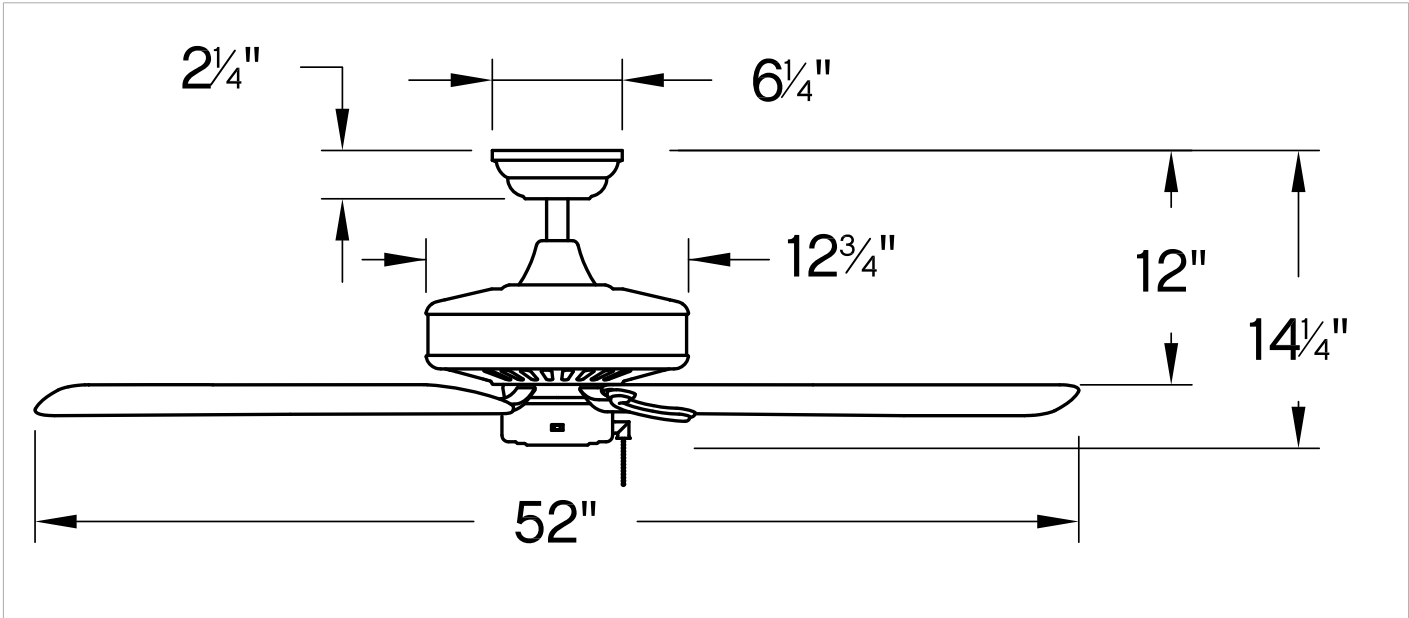
HINKLEY  
33000 Pin Oak Parkway  
Avon Lake, OH 44012

PHONE: (440) 653-5500  
Toll Free: 1 (800) 446-5539

[hinkley.com](http://hinkley.com)

# OASIS 52" FAN

901652FAW-NWA



PERFORMANCE SPECIFICATIONS	STANDARD	
	HIGH SPEED	AVERAGE SPEED
Airflow	5455	3867
EnergyUse	58.8	36
EnergyCost	16	10
Efficiency	93	106
AMPS	0.49	0.35
RPMS	161	111

**AVERAGE PERFORMANCE AND ENERGY INFORMATION**

## ENERGYGUIDE

Estimated  
Yearly Energy Cost  
**\$10**

\$3
\$34

Cost Range of Similar Models (19" – 84")

- Based on 12 cents per kWh and 6.4 hours use per day
- Your cost depends on rates and use
- Energy Use: 36 Watts

Airflow  
**3,867**  
Cubic Feet Per Minute

- The higher the airflow, the more air the fan will move
- Airflow Efficiency: 106 Cubic Feet Per Minute Per Watt

All estimates based on typical use, excluding lights ftc.gov/energy

Airflow Shown is a Weighted Average of High and Low Cubic Feet per Minute Based on Downrod

# HINKLEY

**HINKLEY**  
33000 Pin Oak Parkway  
Avon Lake, OH 44012

**PHONE: (440) 653-5500**  
Toll Free: 1 (800) 446-5539

[hinkley.com](http://hinkley.com)